

**Part Number:**

1990712	1990716	1990720	1990724
1990713	1990717	1990721	1990725
1990714	1990718	1990722	1990726
1990715	1990719	1990723	1990727

**Models :**

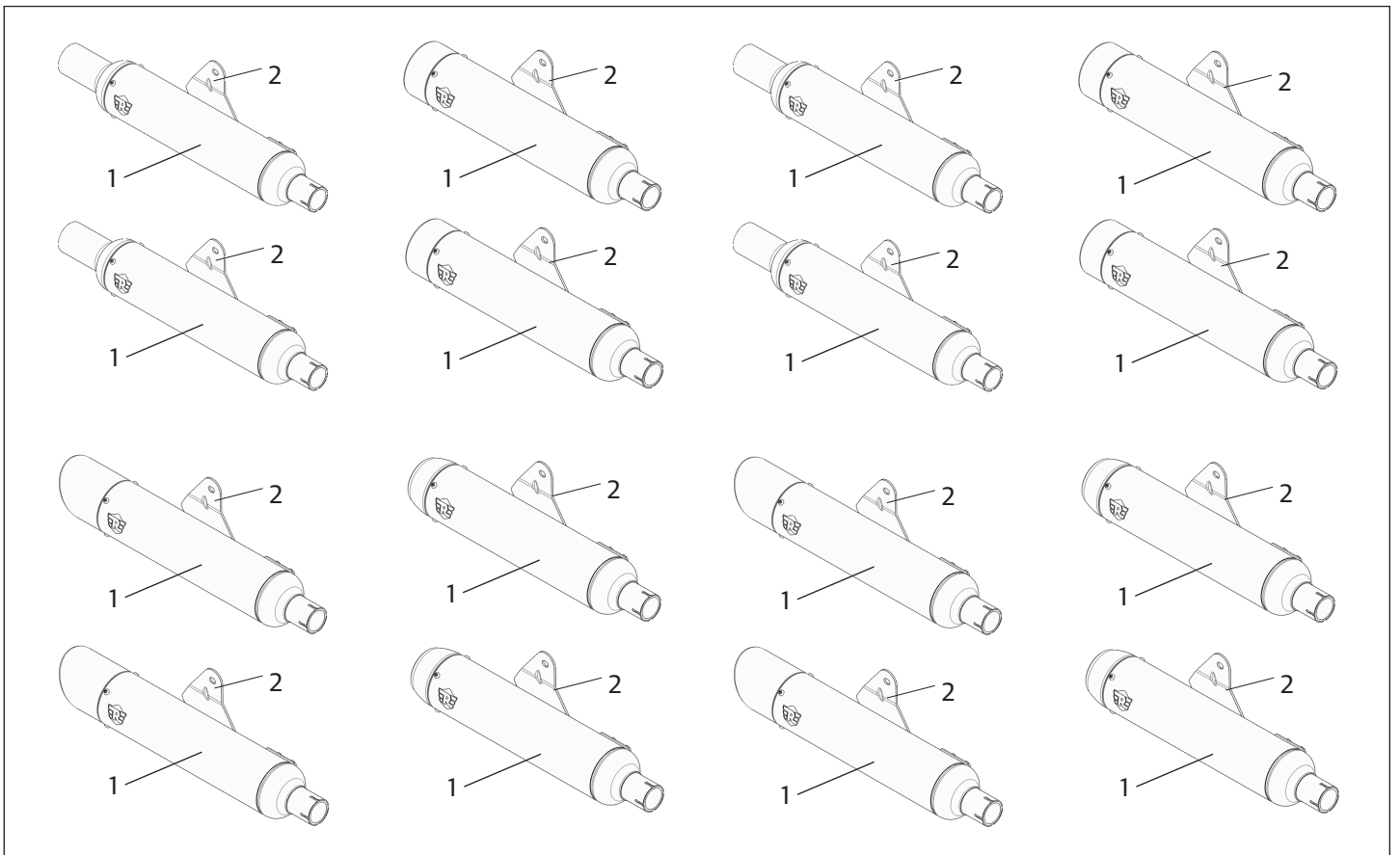
Classic 350 (BS IV)

**WARNING:** Royal Enfield genuine accessories are designed to fit only the specific Royal Enfield motorcycle(s) that are specified above. They should not be fitted to any other type of motorcycle. Pay particular attention to the warnings and cautions contained in this instruction, failure to do so may result in an incorrect installation of the accessory which could result in an unsafe riding condition and possible accident. If in any doubt always seek the help from your authorised Royal Enfield dealer.

**WARNING:** Before starting any accessory kit installation ensure the motorcycle is supported in a stable condition. Failure to support the motorcycle correctly could lead to motorcycle damage or personal injury.

**WARNING:** All fixings must be tightened to the torque values specified in this instruction. Failure to tighten fixings to the correct torque could result in an unsafe riding condition and possible accident.

**NOTE:** The content of this instruction is subject to change at any time without notice or liability. Royal Enfield reserves the right to revise the information presented at any time.

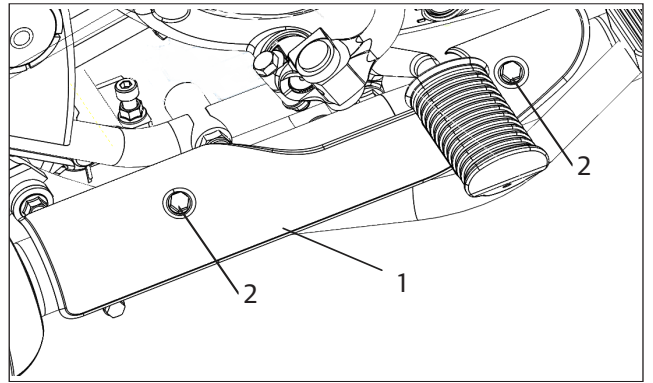


Item	Description	Qty
1	Silencer Assembly	1
2	Silencer Bracket	1

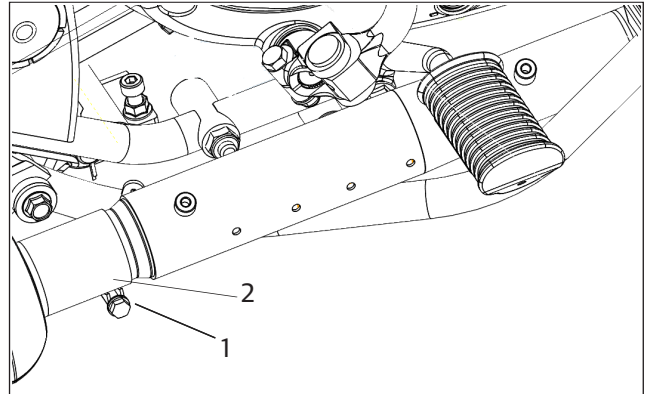


**WARNING: Ensure that Engine and installed Exhaust Silencer are cold prior to commencing installation.**

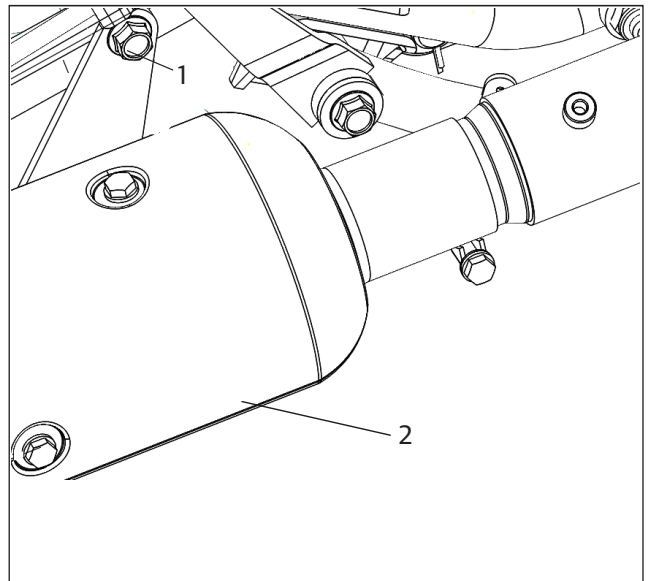
**1** Remove the header pipe heat shield (1). Unscrew the 2 heat shield retaining fasteners (2). Retain the heat shield and heat shield retaining screws for reuse.



**2** With the heat shield removed, loosen the exhaust clamp bolt (1) and remove the exhaust clamp (2). Retain exhaust clamp and exhaust clamp bolt for reuse.



**3** With the installed exhaust silencer supported, loosen and remove the silencer retaining bolt (1). The silencer (2) can now be removed by gently pulling it rearwards. Retain silencer retaining bolt for reuse if accessory silencer is removed.



**4** With the accessory silencer sat on a smooth clean surface, assemble the supplied silencer bracket using the two supplied fixings and tighten to **25 Nm**.

Slide the retained exhaust clamp and exhaust clamp bolt from **2** onto the inlet end of the silencer and loosely tighten the exhaust clamp bolt. The silencer is now ready for assembly to the motorcycle.


**Please note** end caps may vary depending on the silencer purchased

**5** Loosen and remove the pillion footrest retaining nut (1), once removed slide the pillion footrest (2) out of its mounting boss. Assemble the accessory silencer by lining up the inlet of the silencer to the exit of the header pipe and slide into position so that the pillion footrest (2) passes through the mounting hole of the accessory silencer.

**6** Tighten the pillion footrest retaining nut (1) to **40Nm**.

**7** Locate the exhaust clamp (2) in its clamping position to ensure against exhaust leakage and tighten the exhaust clamp bolts to **25Nm**.

**8** Assemble the retain header pipe heat shield and insert the 2 retained heat shield retaining fasteners. Tighten to **12Nm**.

 **WARNING: After fitting any genuine Royal Enfield accessory always ride the motorcycle with caution and allow time to become familiar with any change in the motorcycle handling characteristics. Failure to become familiar with any change in the motorcycle handling characteristics may cause the motorcycle to become unstable and result in an accident.**

