




Part Number:
KXQ00036

Models:
Super Meteor

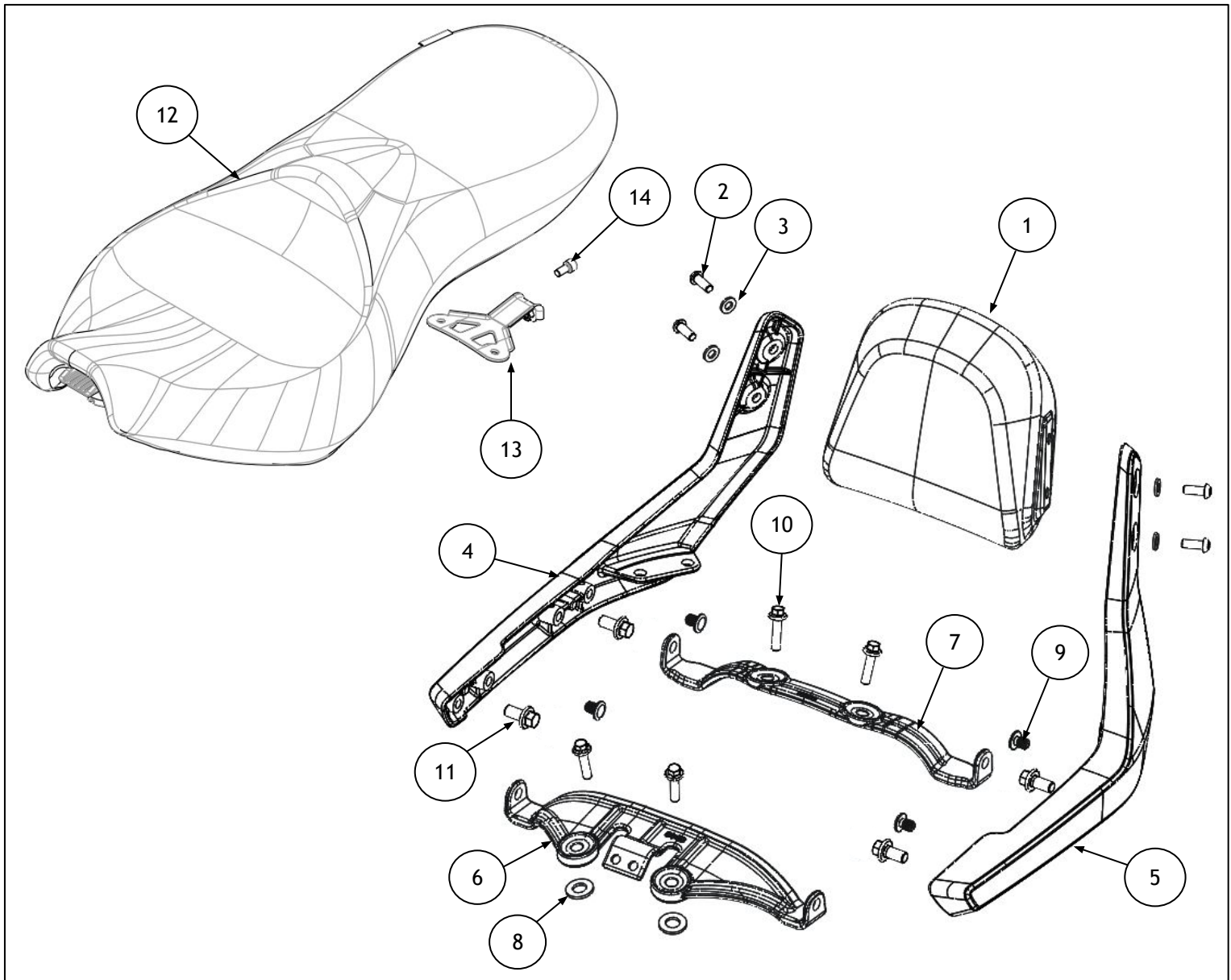
 **WARNING:** Royal Enfield genuine accessories are designed to fit only the specific Royal Enfield motorcycle(s) that are specified above. They should not be fitted to any other type of motorcycle. Pay particular attention to the warnings and cautions contained in this instruction, failure to do so may result in an incorrect installation of the accessory which could result in an unsafe riding condition and possible accident. If in any doubt always seek help from your authorised Royal Enfield dealer.

 **WARNING:** Before starting any accessory kit installation ensure the motorcycle is supported in a stable condition. Failure to support the motorcycle correctly could lead to motorcycle damage or personal injury.

 **WARNING:** All fixings must be tightened to the torque values specified in this instruction. Failure to tighten fixings to the correct torque could result in an unsafe riding condition and possible accident

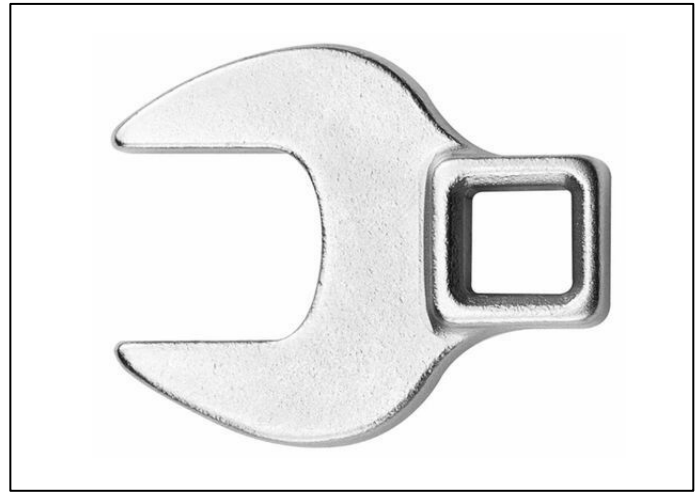
 **CAUTION:** Care should be taken when fitting any accessory kit. Incorrect handling of kit components or the use of incorrect tools could lead to component or motorcycle damage.

NOTE: The content of this instruction is subject to change at any time without notice or liability. Royal Enfield reserves the right to revise the information presented at any time.

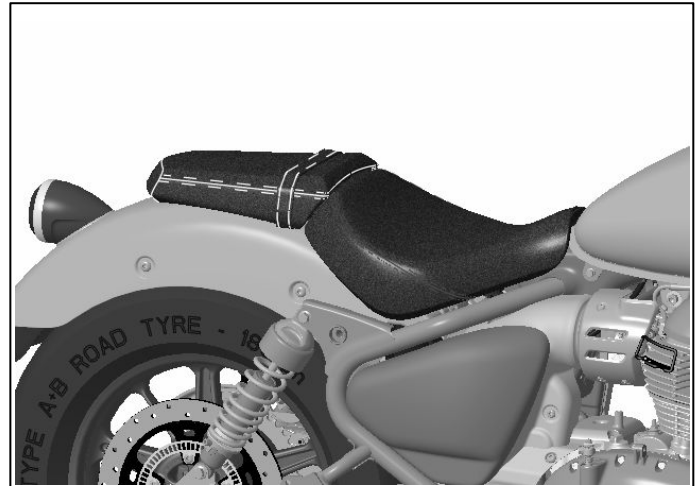


Item	Description	Qty
1	Pad assembly	1
2	Fixing, M6 x 16mm	4
3	Washer, M6	4
4	Side rail, right hand	1
5	Side rail, left hand	1
6	Front under seat bracket	1
7	Rear under seat bracket	1
8	Washer, M10	2
9	Thread bung	4
10	Fixing, M6 x 25 mm	4
11	Fixing, M8 x 16mm	4
12	Seat assembly	1
13	Rear bracket assembly	1
14	Fixing, M8 x 16mm	1

1 Ensure you have the correct crow foot spanner head before fitting this product.

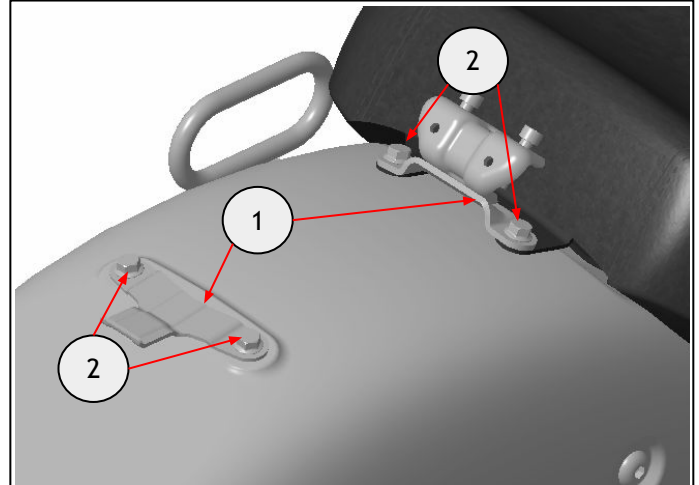


2 Remove the pillion seat as described in the Owner's Manual. Retain for reuse if the motorcycle is to be returned to its original condition.



5mm hexagonal bit and ratchet

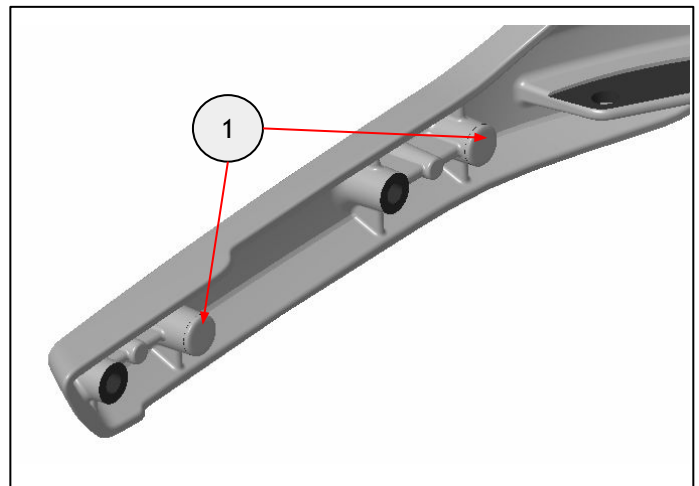
3 Remove the pillion seat brackets (1) by removing the fixings (2). Retain for reuse if the motorcycle is to be returned to its original condition.



8mm socket and ratchet

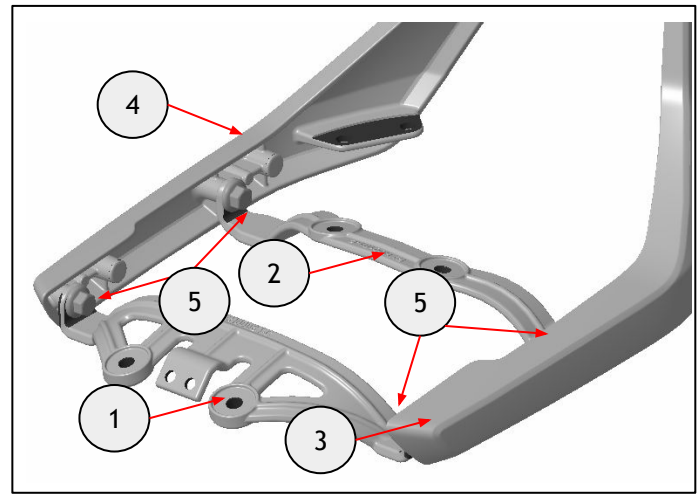
4 Fit the thread bungs (1) into the rear holes.

Repeat on the left rail.



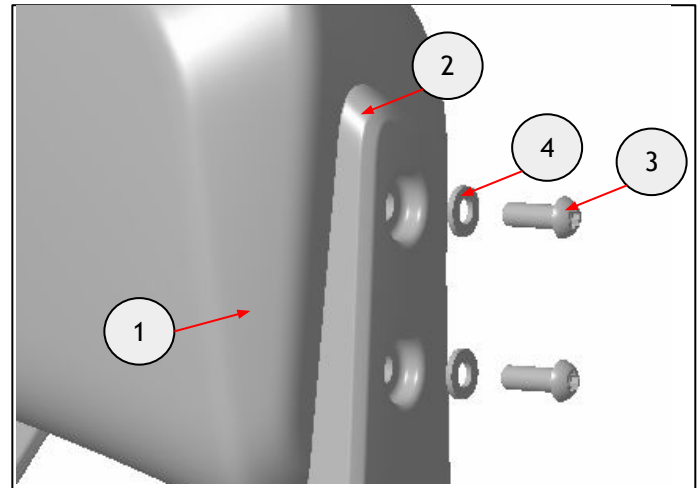
5 Assemble the front (1) and rear (2) under seat brackets to the left (3) and right (4) hand rails using four M8 x 16mm fixings (5) from the kit on the front mounting holes.

Do not fully tighten at this stage.



6 Align the backrest pad (1) with the side rails (2). Fit the M6 x 16mm fixings (3) and washers (4) from the kit.

Do not fully tighten at this stage.

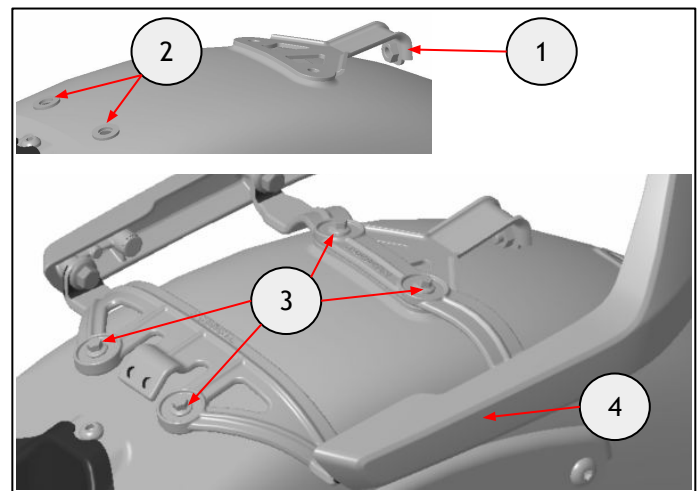


T30 torx bit and ratchet

7 Align the rear seat mount bracket (1) on the rear pillion mounting holes. Position two M10 washers (2) from the kit on the front mounting holes.

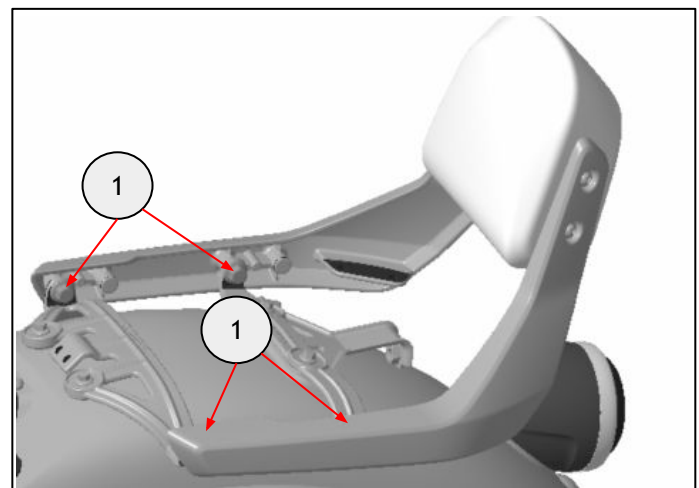
Fit the four M6 x 25mm fixings (3) from the kit to secure the backrest assembly (4), as shown.

Tighten the fixings to **18 Nm**.



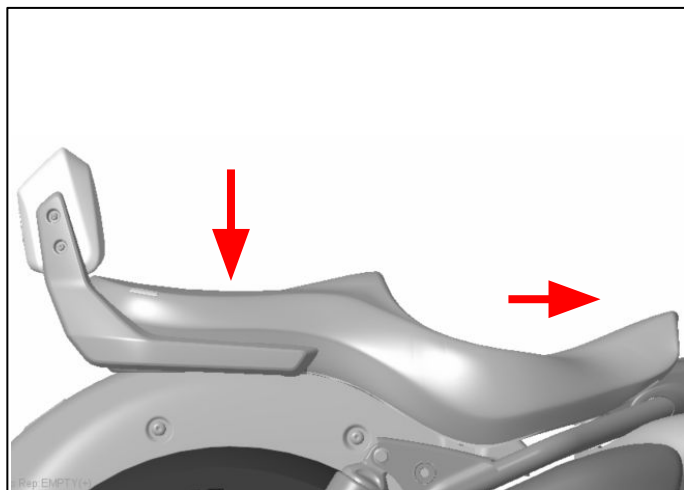
8mm socket and torque wrench

8 Tighten the rail fixings (1) to **20 Nm** using the tool described in step 1.



10 mm crow foot spanner head and torque wrench

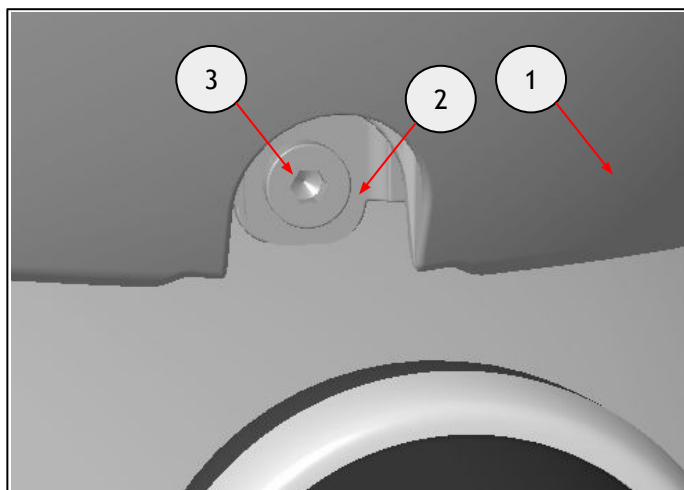
9 Hook the front of the seat to the tank then push down on the seat to put it in place.



10 Align the seat (1) with the rear bracket (2). Fit the M8 x 16mm fixing (3).

Ensure the seat is centred between the backrest grab rails.

Tighten the fixing (3) to 18 Nm.

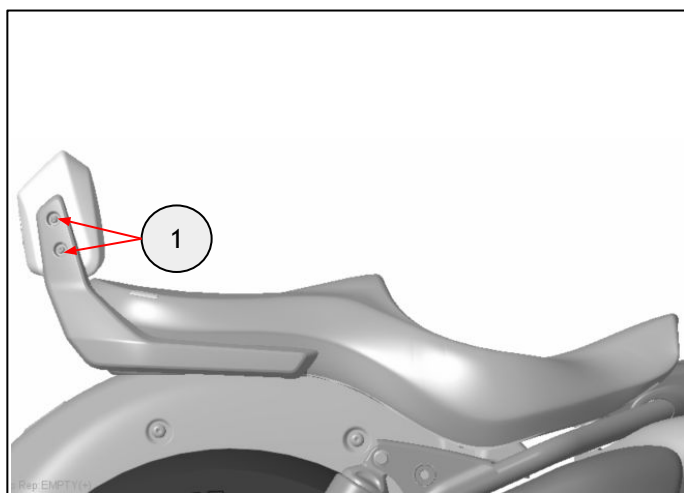


6mm hexagonal bit and 150mm extension and torque wrench

11 Tighten the backrest pad fixings (1) to 10 Nm.



T30 torx bit with torque wrench



WARNING: After fitting any genuine Royal Enfield accessory always ride the motorcycle with caution and allow time to become familiar with any change in the motorcycle handling characteristics. Failure to become familiar with any change in the motorcycle handling characteristics may cause the motorcycle to become unstable and result in an accident.