

Part Number:
KXA00217

Models:
SUPER METEOR

WARNING: Royal Enfield genuine accessories are designed to fit only the specific Royal Enfield motorcycle(s) that are specified above. They should not be fitted to any other type of motorcycle. Pay particular attention to the warnings and cautions contained in this instruction, failure to do so may result in an incorrect installation of the accessory which could result in an unsafe riding condition and possible accident. If in any doubt always seek help from your authorised Royal Enfield dealer.

WARNING: Before starting any accessory kit installation ensure the motorcycle is supported in a stable condition. Failure to support the motorcycle correctly could lead to motorcycle damage or personal injury.

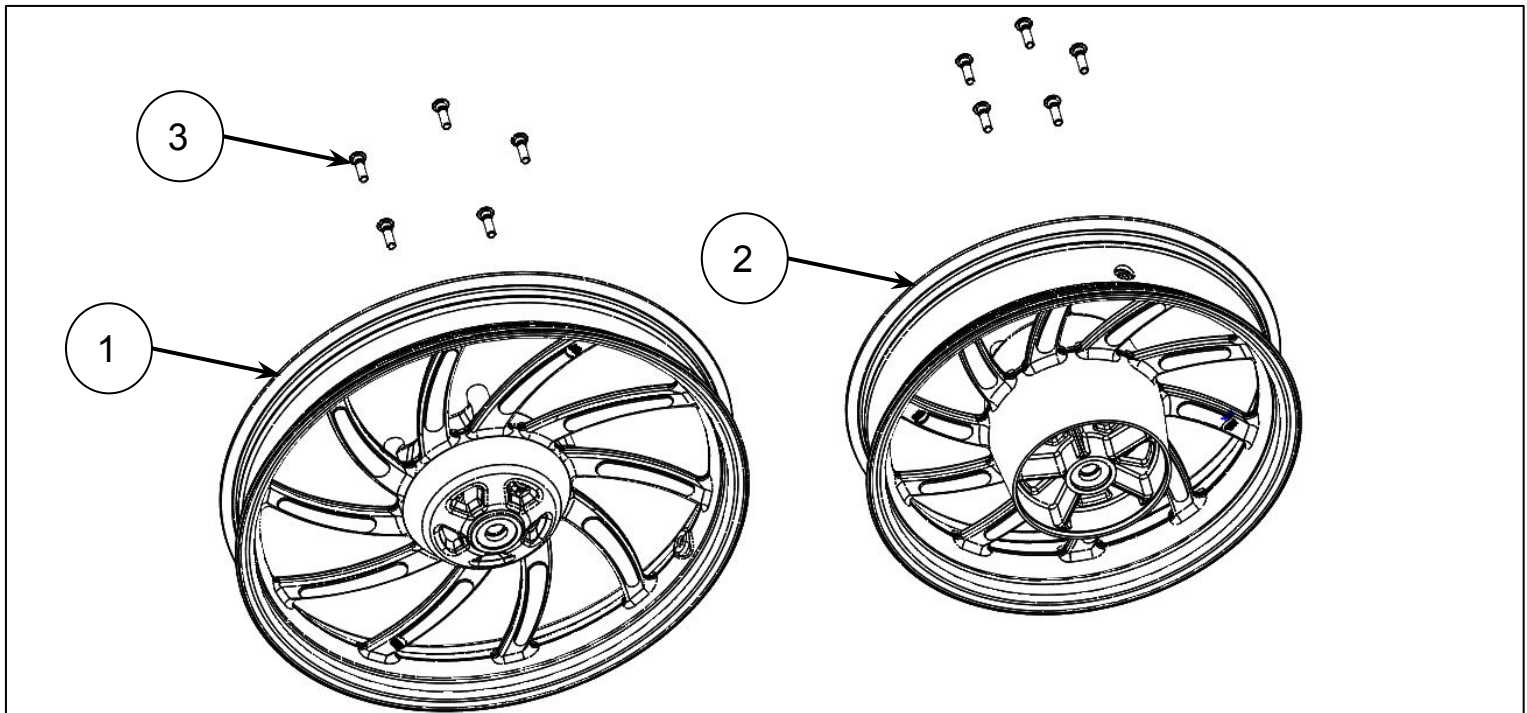
WARNING: All fixings must be tightened to the torque values specified in this instruction. Failure to tighten fixings to the correct torque could result in an unsafe riding condition and possible accident

CAUTION: Care should be taken when fitting any accessory kit. Incorrect handling of kit components or the use of incorrect tools could lead to component or motorcycle damage.

NOTE: The content of this instruction is subject to change at any time without notice or liability. Royal Enfield reserves the right to revise the information presented at any time.

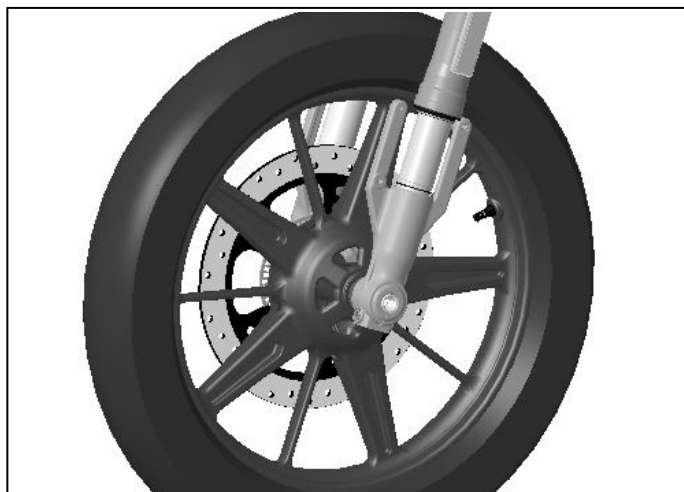
WARNING: Throughout this operation, make sure that the motorcycle is stabilised and adequately supported to prevent risk of injury from the motorcycle falling.

WARNING: Tyre removal and fitment should only be carried out by competent technicians and inflated to recommended pressures as described in the owner's manual. Wheels should be dynamically balanced after tyre fitment.



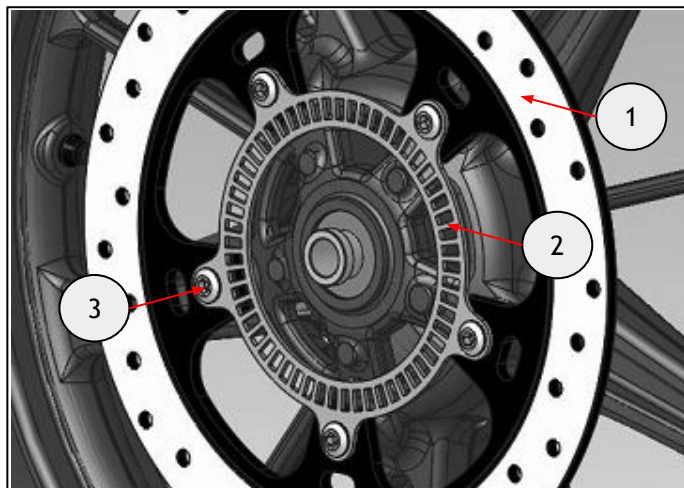
Item	Description	Qty
1	Front wheel	1
2	Rear wheel	1
3	Fixings, M8 x 30 mm	10

1 Remove the front wheel as described in the owner's manual.



2 Remove the disc (1) and the toner ring (2) by removing the fixings (3). Retain the disc and the toner ring for reuse. Discard the fixings.

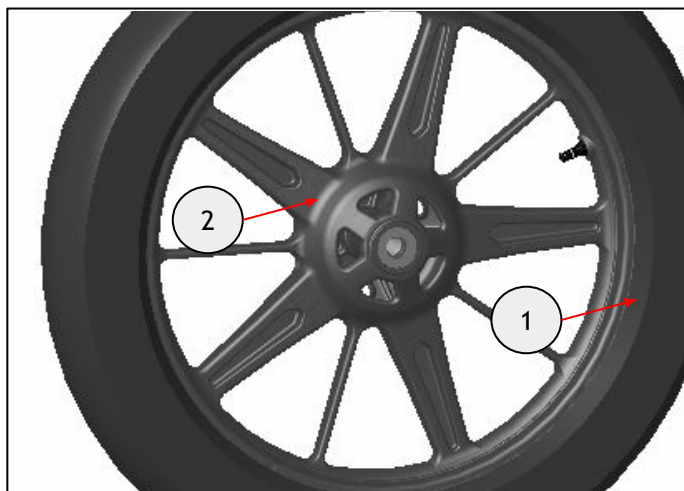
Note: Don't place the disc face on a hard surface to avoid damage.



6mm hexagonal bit and ratchet.

3 Remove the tyre (1) from the rim (2). Retain the tyre for reuse. Retain the rim for reuse if the motorcycle is to be returned to its original condition.

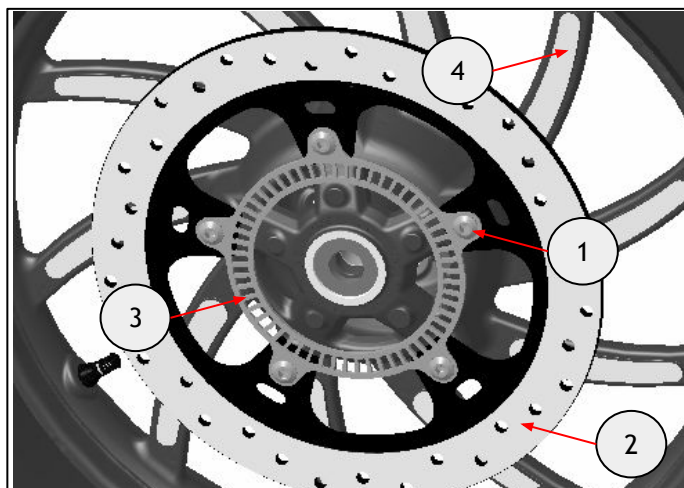
Note: Tyre fitment should be carried out by a professional.



4 Fit the M8 x 30 mm fixings (1) from the kit to secure the disc (2) and toner ring (3) on the machined alloy wheel (4). Tighten the fixings to 25Nm.

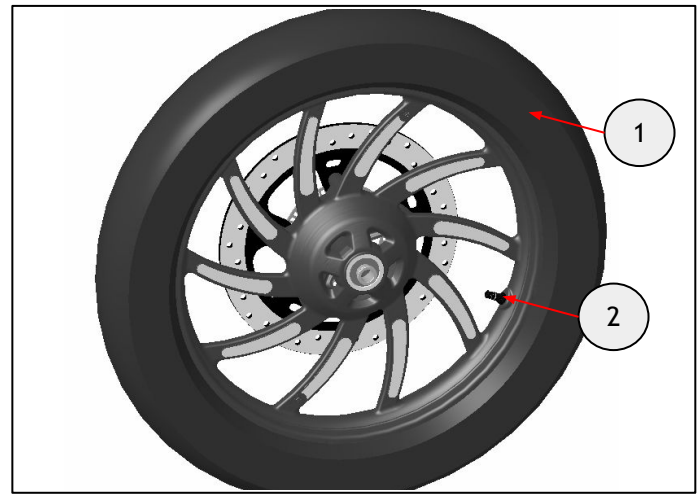


6mm hexagonal bit and torque wrench.



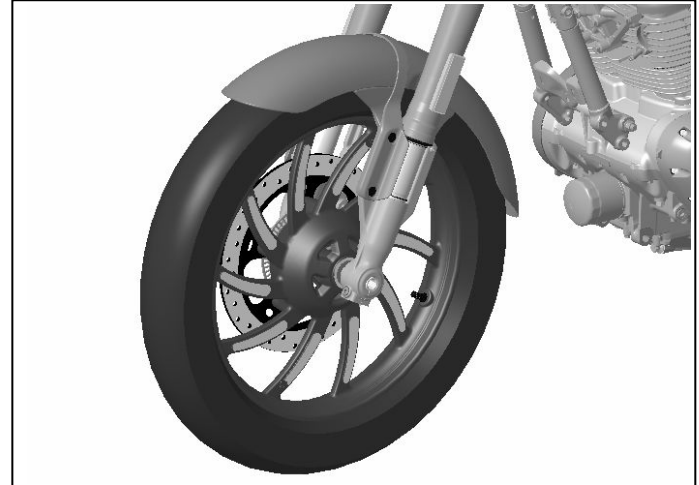
5 Fit the tyre (1) and a new valve (2), available from spares (part No. 1120064), on the machined alloy wheel (3). The tyre rotation arrow should be pointing forward.

Note: Tyre fitment should be carried out by a professional. The tyre must be inflated to recommended pressure as described in the owner's manual and wheel balancing is required.



6 Reassemble the front wheel as described in the owner's manual.

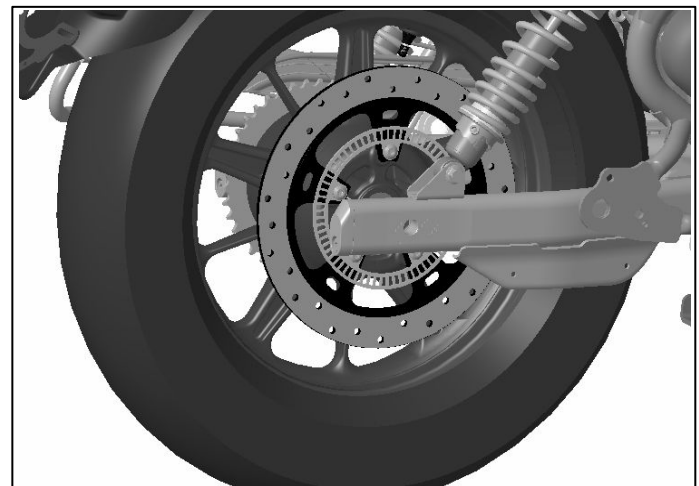
Note: Ensure the wheels are cleaned regularly with a non abrasive cleaner.



7 Secure the motorcycle using a scissor jack as described in owner's manual.



8 Remove the rear wheel as described in the owner's manual.

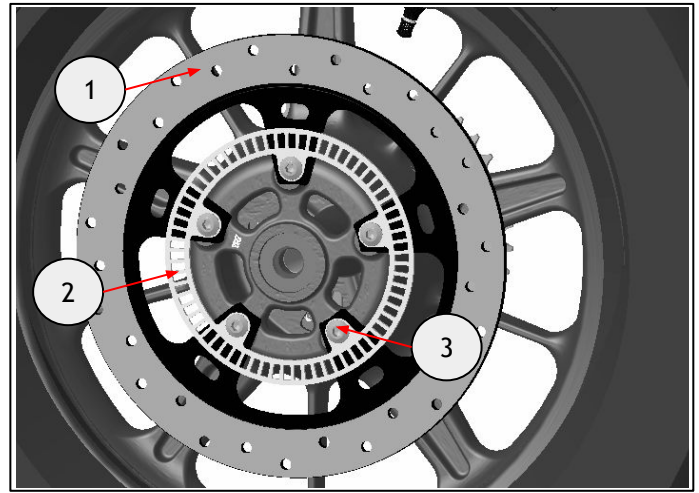


9 Remove the disc (1) and the toner ring (2) by removing the fixings (3). Retain the disc and the toner ring for reuse. Discard the fixings.

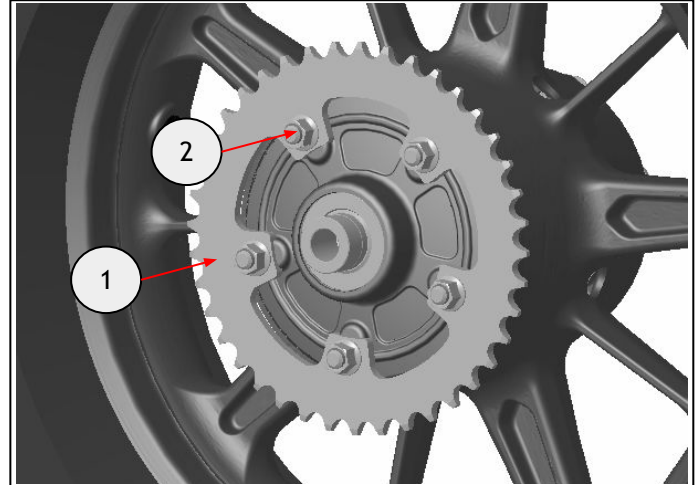
Note: Don't place the disc face on a hard surface to avoid damage.



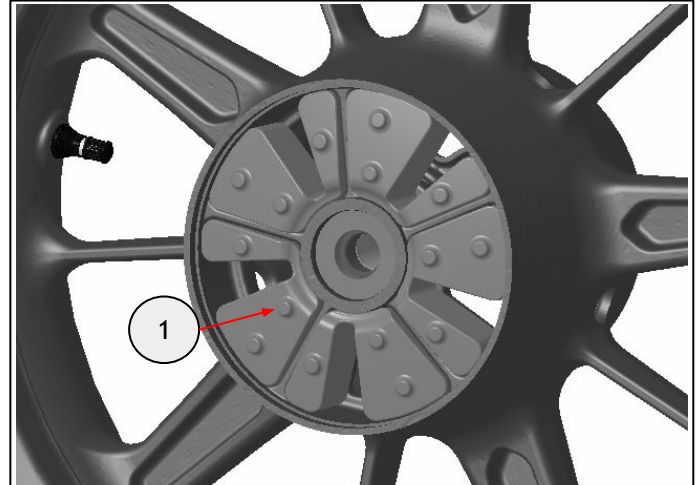
6mm hexagonal bit and ratchet.



10 Pull out the sprocket assembly (1) without untightening any of the fixings (2). Retain the sprocket assembly for reuse.

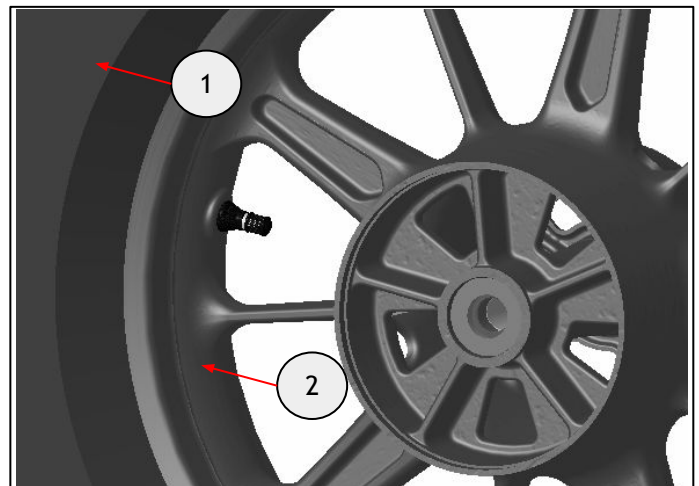


11 Remove the cush drive (1). Retain for reuse.



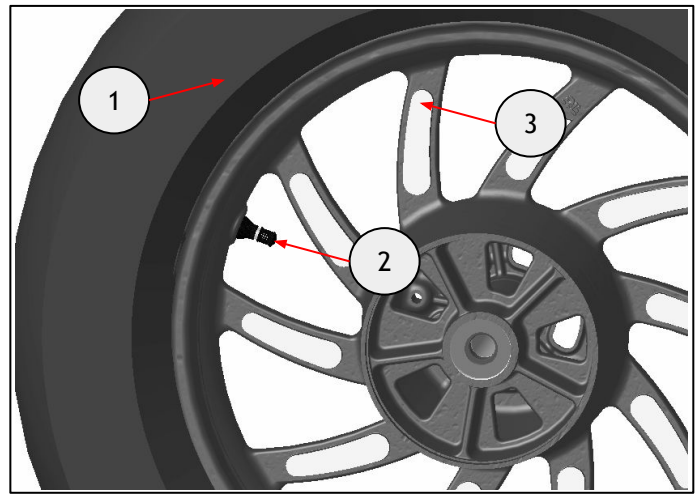
12 Remove the tyre (1) from the rim (2). Retain the tyre for reuse.

Note: Tyre removal should be carried out by a professional.

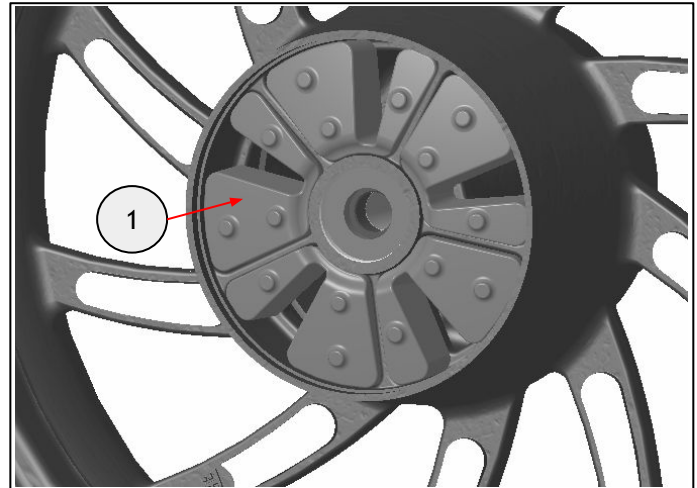


13 Fit the tyre (1) and a new valve (2), available from spares, on the machined alloy wheel (3). The tyre rotation arrow should be pointing forward.

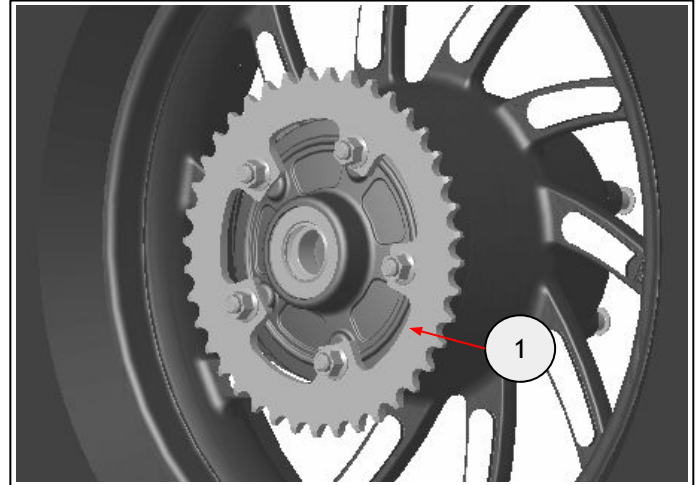
Note: Tyre removal should be carried out by a professional. The tyre must be inflated to recommended pressure as described in the owner's manual and wheel balancing is required.



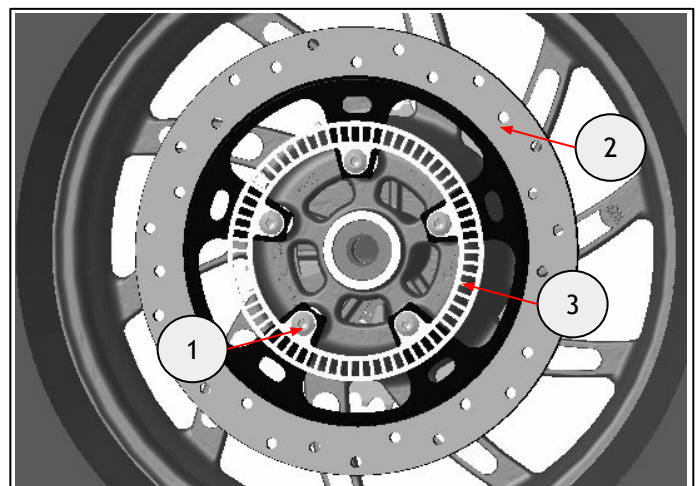
14 Fit the cush drive (1), removed in step 11, in the shown orientation.



15 Push the sprocket assembly (1), removed in step 10, into the cush drive

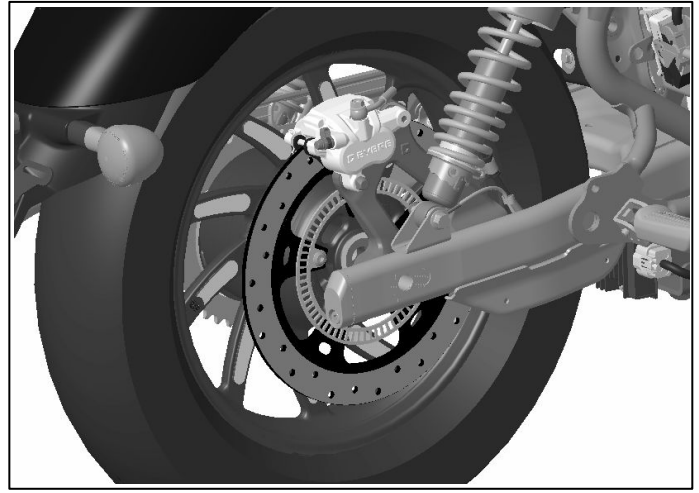


16 Fit the M8 x 30 mm fixings (1) from the kit to secure the disc (2) and toner ring (3). Tighten the fixings to 25Nm.



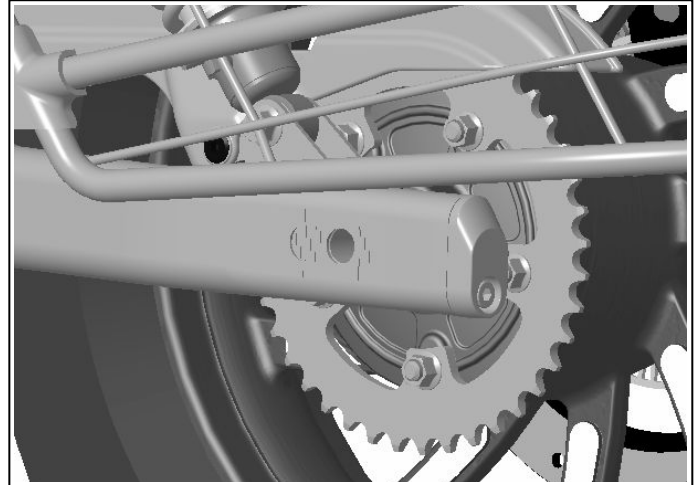
6mm hexagonal bit and torque wrench.

17 Reassemble the rear wheel as described in the owner's manual.



18 Check and adjust the chain tension as described in the owner's manual.

Note: Ensure the wheels are cleaned regularly with a non abrasive cleaner.



WARNING: After fitting any genuine Royal Enfield accessory always ride the motorcycle with caution and allow time to become familiar with any change in the motorcycle handling characteristics. Failure to become familiar with any change in the motorcycle handling characteristics may cause the motorcycle to become unstable and result in an accident.