




Part Number:
KXA00476

Models:
Guerrilla 450
Himalayan (452cc only)

 **WARNING:** Royal Enfield genuine accessories are designed to fit only the specific Royal Enfield motorcycle(s) that are specified above. They should not be fitted to any other type of motorcycle. Pay particular attention to the warnings and cautions contained in this instruction, failure to do so may result in an incorrect installation of the accessory which could result in an unsafe riding condition and possible accident. If in any doubt always seek help from your authorised Royal Enfield dealer.

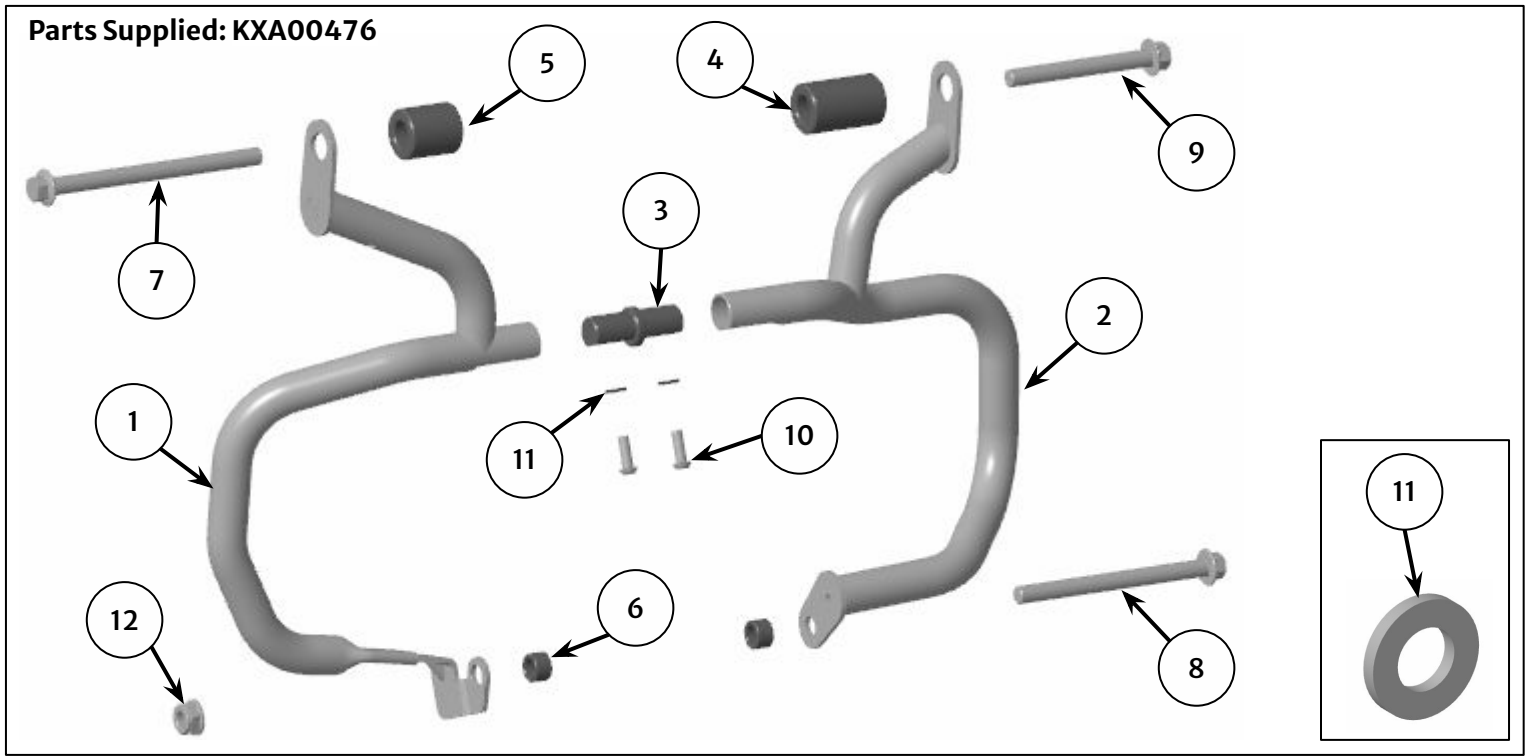
 **WARNING:** Before starting any accessory kit installation ensure the motorcycle is supported in a stable condition. Failure to support the motorcycle correctly could lead to motorcycle damage or personal injury.

 **WARNING:** All fixings must be tightened to the torque values specified in this instruction. Failure to tighten fixings to the correct torque could result in an unsafe riding condition and possible accident

 **CAUTION:** Care should be taken when fitting any accessory kit. Incorrect handling of kit components or the use of incorrect tools could lead to component or motorcycle damage.

NOTE: The content of this instruction is subject to change at any time without notice or liability. Royal Enfield reserves the right to revise the information presented at any time.

Parts Supplied: KXA00476




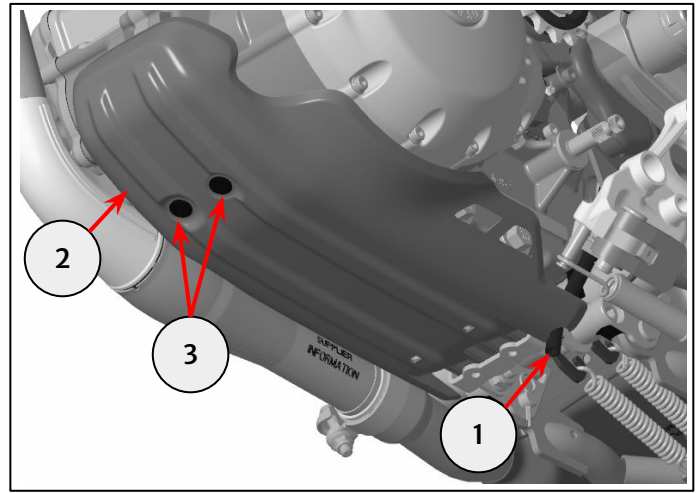
Item	Description	Qty
1	Right hand engine guard	1
2	Left hand engine guard	1
3	Connecting rod	1
4	Spacer, 46mm	1
5	Spacer, 32mm	1
6	Spacer, 10mm	2
7	Fixing, M10 x 135mm	1
8	Fixing, M10 x 120mm	1
9	Fixing, M10 x 90mm	1
10	Fixing, M6 x 18mm	2
11	Washer, M6	2
12	Nut, M10	1

1 Place the motorcycle on the centre stand as per the Owner's Manual and allow to cool before commencing accessory fitment.

2 Unclip the fuel tank drain hose (1) from the rear left side of the original sump guard (2) and undo the two fixings (3) securing the sump guard.


Retain the fixings and sump guard for reuse.

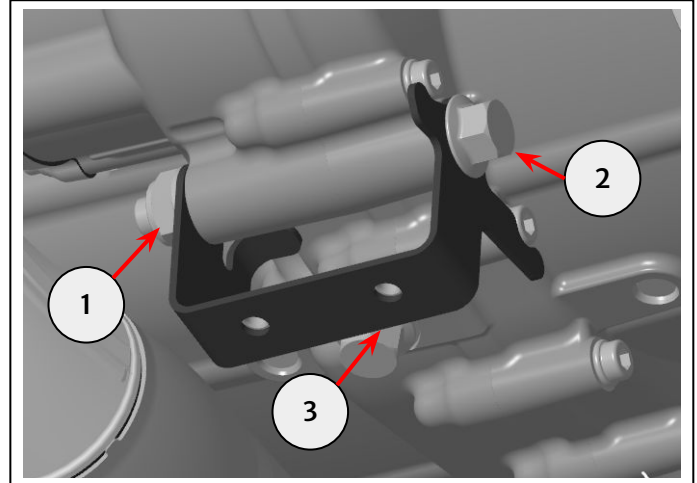
	5mm hexagonal bit and ratchet
--	-------------------------------



3 Remove the nut (1) and fixing (2) securing the front sump guard bracket (3). Remove the bracket and retain for reuse.


Retain the fixings for reuse if the motorcycle is to be returned to its original condition.


	14mm socket and ratchet 17mm spanner
--	---

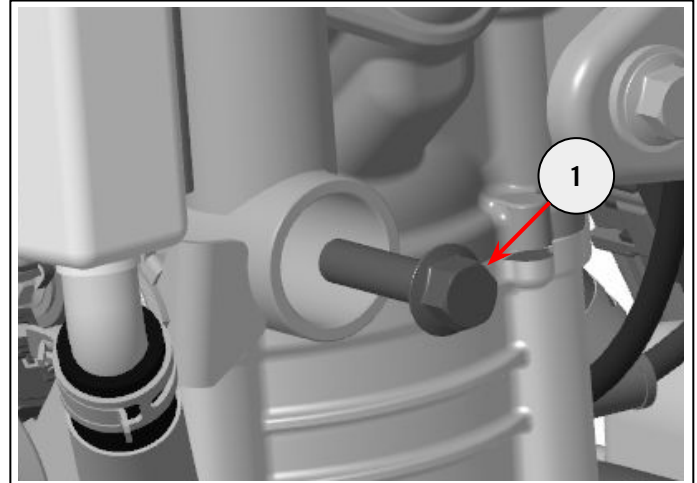


Left hand side

4 Remove the left hand front engine mount fixing (1) and retain for reuse if the motorcycle is to be returned to its original condition.


 **WARNING:** Assemble the left hand engine guard before assembling the right hand guard to ensure the engine is fully supported throughout.

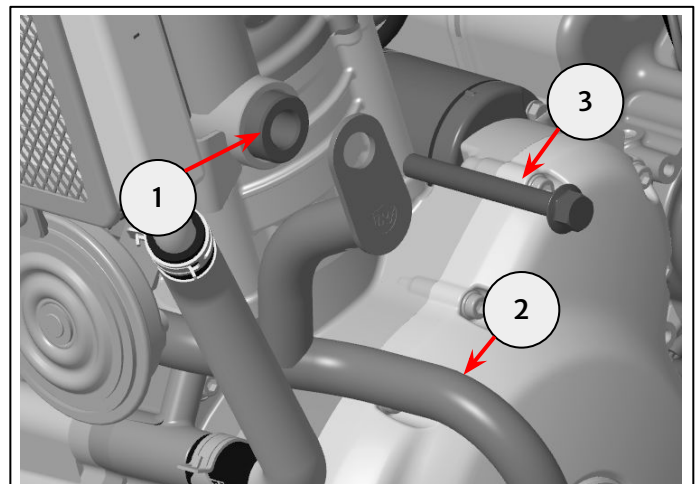
	14mm socket and ratchet
--	-------------------------



5 Place the 46mm spacer (1) within the motorcycle frame recess, along with the left hand engine guard (2) using an M10 x 90mm fixing (3) from the kit.

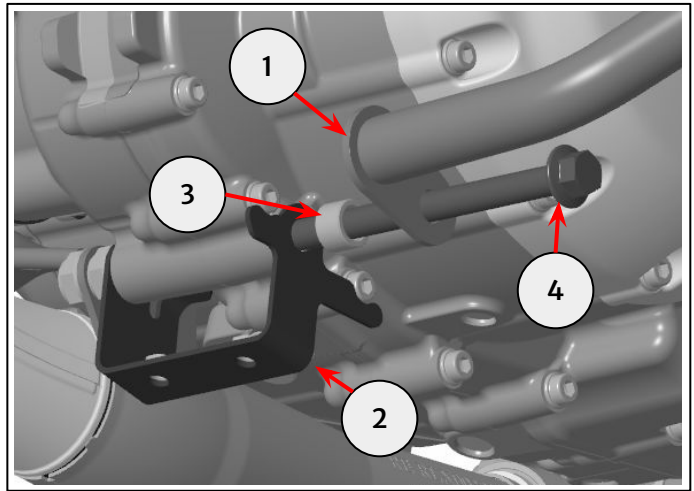
Do not fully tighten the fixing at this stage.

	13mm socket and ratchet
--	-------------------------



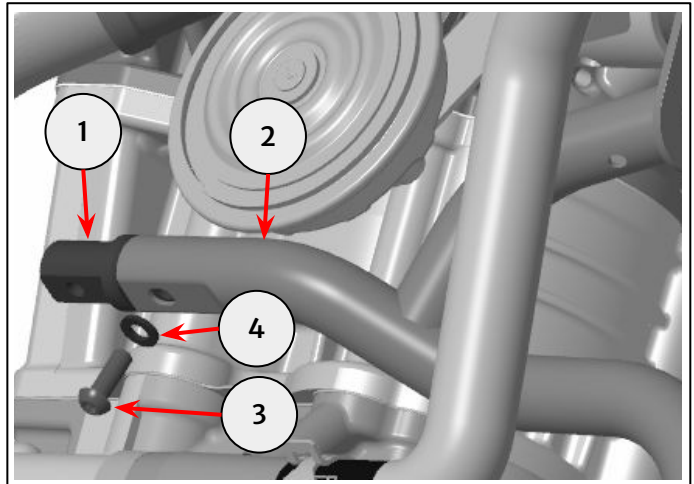
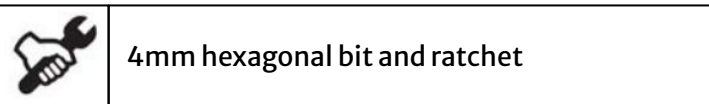
6 Align the left hand engine guard (1) to the motorcycle as shown. Refit the sump guard bracket (2) previously removed in step 2, placing a 10mm spacer (3) from the kit in between the sump guard bracket and engine guard (3). Place the M10 x 120mm fixing (4) from the kit through the mounting hole.

Do not fully tighten the fixing at this stage.



7 Fit the connecting rod (1) from the kit into the left hand engine guard (2). Secure using an M6 x 18mm fixing (3) and M6 washer (4).

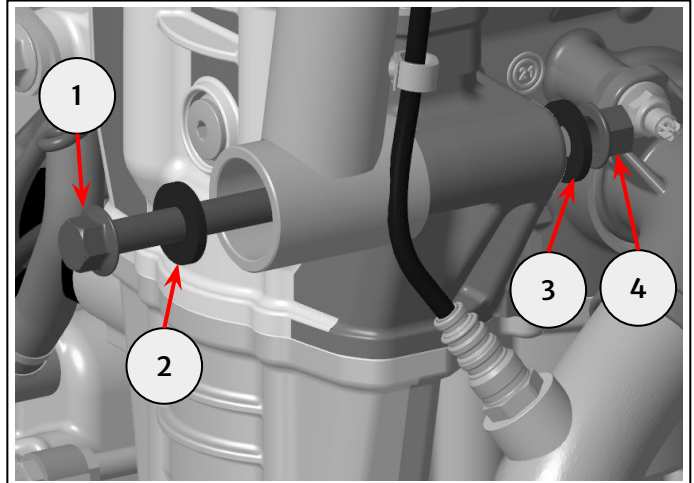
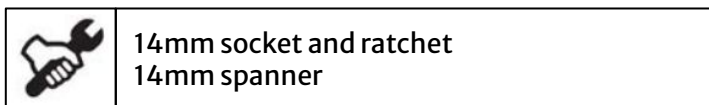
Do not fully tighten the fixing at this stage.



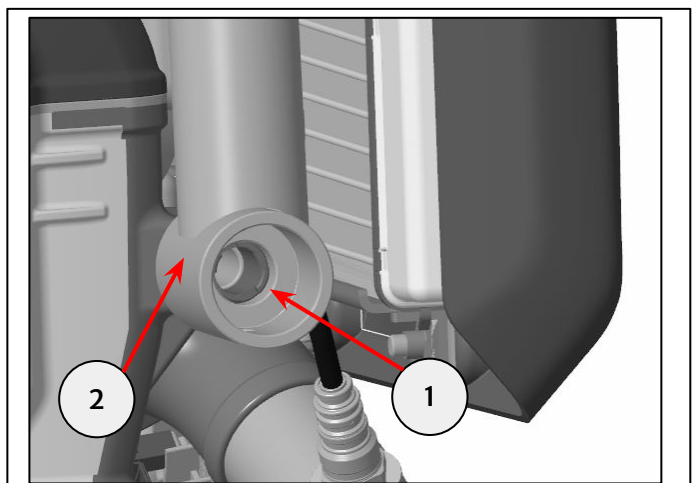
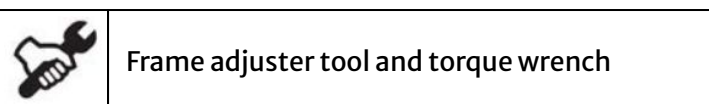
Right hand side

8 Remove the right hand front engine mount fixing (1) and outer washer (2) and retain for reuse if the motorcycle is to be returned to its original condition.

Remove the inner washer (3) and nut (4) and retain for reuse.

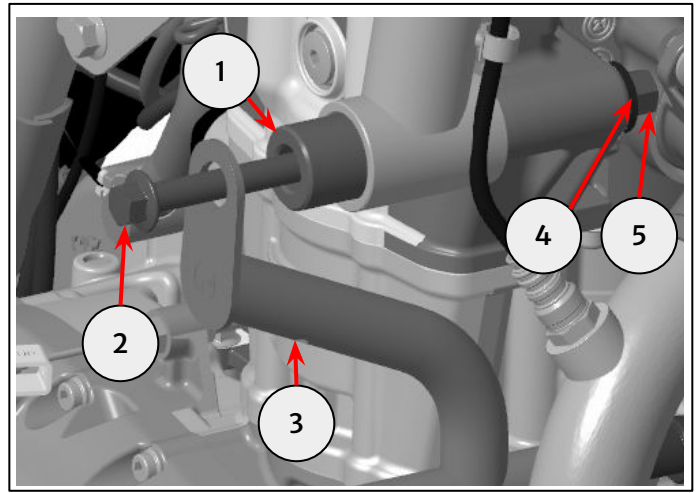


9 Confirm the frame adjuster (1) within the frame recess (2) is tightened to 3Nm. Tighten as required. Note: Requires a specialist Dealer tool.



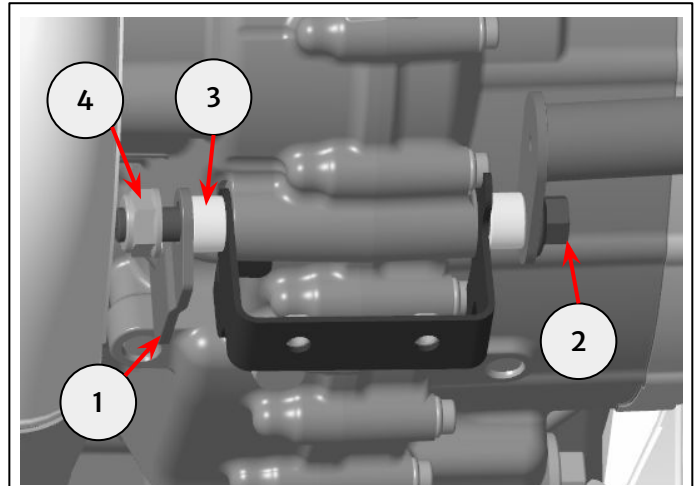
10 Fit the 32mm spacer (1) within the motorcycle frame recess, along with the right hand engine guard (2) using an M10 x 135mm fixing (3) from the kit. Reuse the inner washer (4) and nut (5) previously removed in step 8.

Do not fully tighten the fixing at this stage.



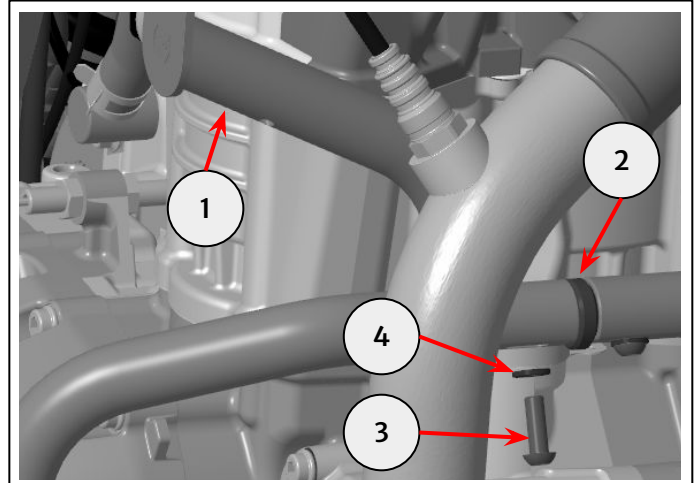
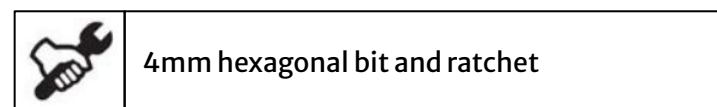
11 Assemble the right hand engine guard mount (1) to the front bottom sump guard bracket (2) along with a 10mm spacer (3) and M10 Nut (4) from the kit.

Do not fully tighten the fixing at this stage.

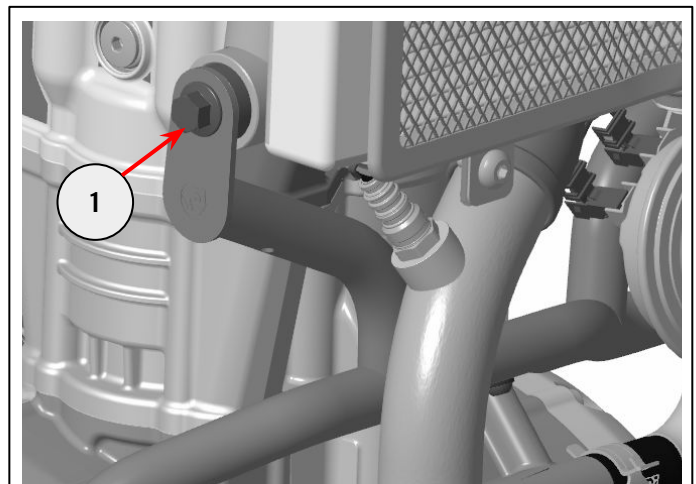
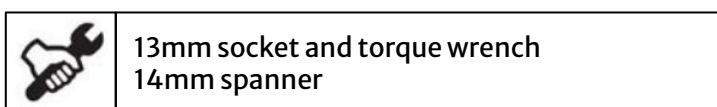


12 Align the right hand engine guard (1) with the connecting rod (2). Secure using an M6 x 18mm fixing (3) and M6 washer (4) from the kit.

Do not fully tighten the fixing at this stage.



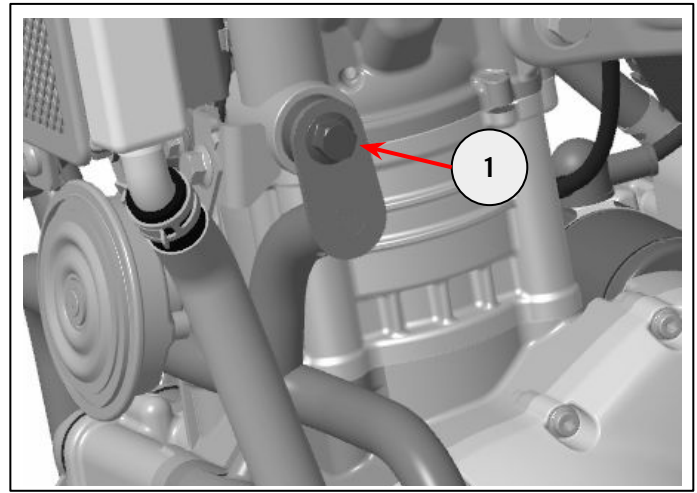
13 Tighten the front right hand engine guard fixing (1) to 60Nm, holding the nut.



14 Tighten the front left hand engine guard fixing (1) to 45Nm.



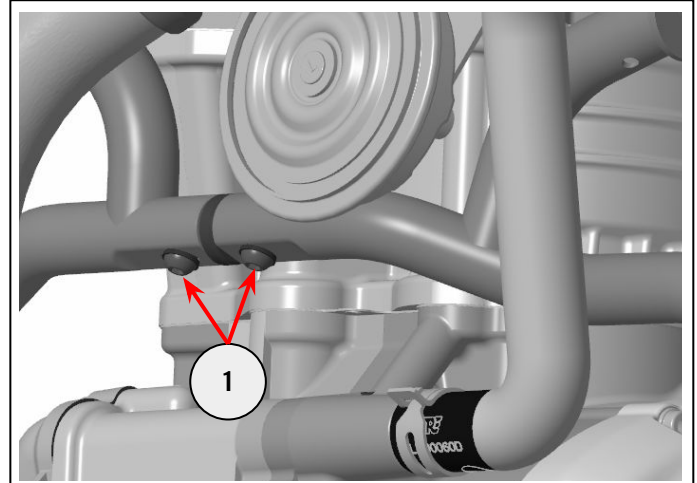
13mm socket and torque wrench



15 Tighten the fixings securing the connecting rod to 10Nm.



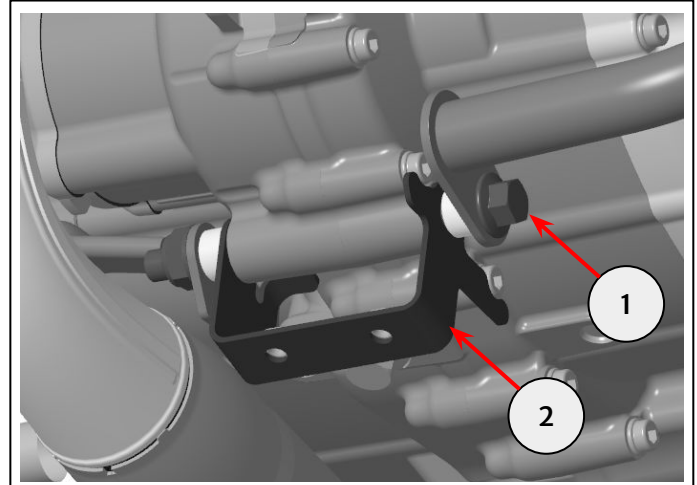
4mm hexagonal bit and torque wrench



16 Tighten the fixing (1) through the sump guard bracket (2) to 45Nm.



13mm socket and torque wrench
17mm spanner



17 Refit the sump guard (1) with two stock fixings (2) and tighten to 10 Nm.



5mm hexagonal bit and torque wrench

