

Part Number:

1990636
1990703

Models:

Classic 350cc, Classic 500cc

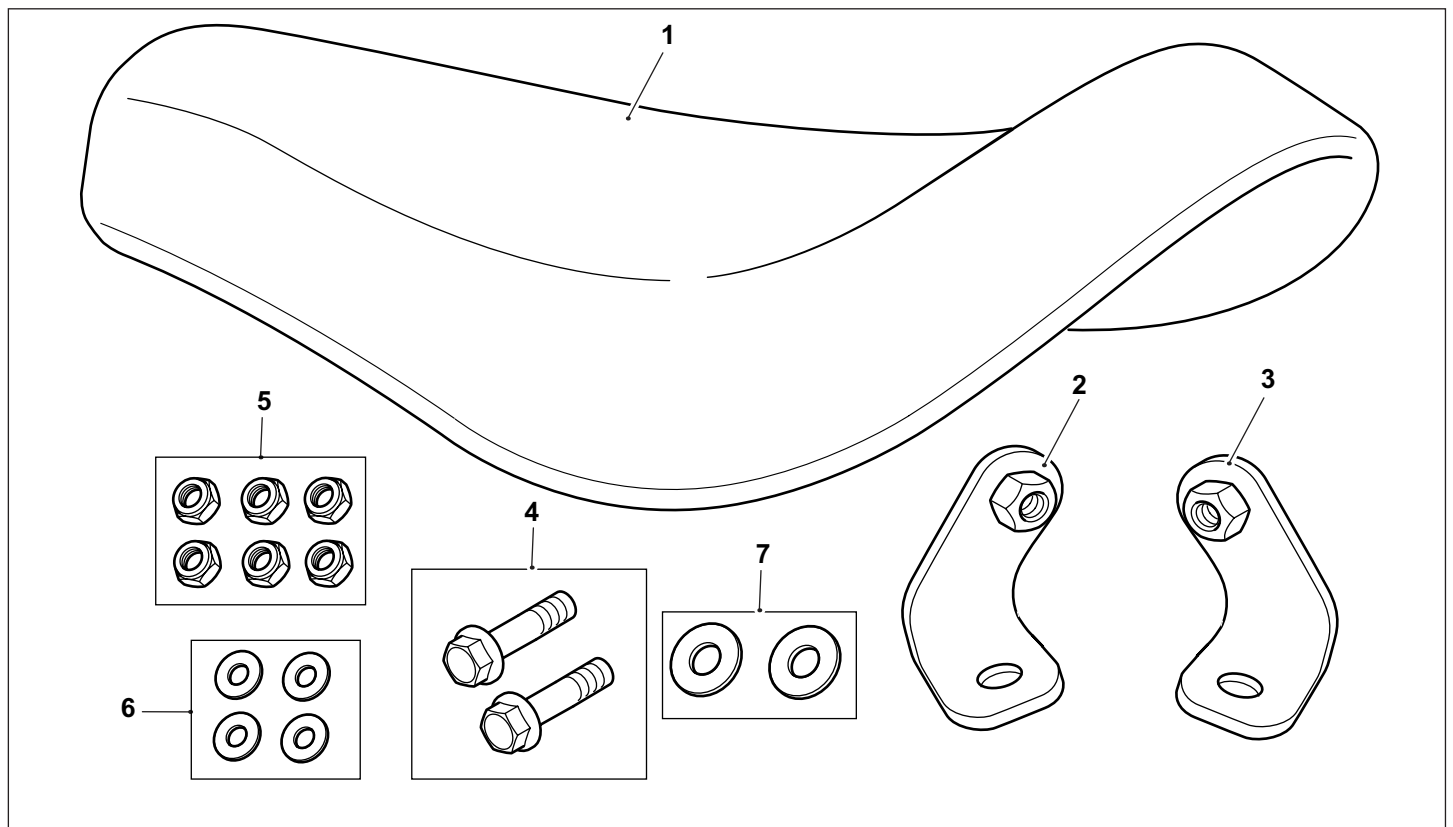
WARNING: Royal Enfield genuine accessories are designed to fit only the specific Royal Enfield motorcycle(s) that are specified above. They should not be fitted to any other type of motorcycle. Pay particular attention to the warnings and cautions contained in this instruction, failure to do so may result in an incorrect installation of the accessory which could result in an unsafe riding condition and possible accident. If in any doubt always seek the help from your authorised Royal Enfield dealer.

WARNING: Before starting any accessory kit installation ensure the motorcycle is supported in a stable condition. Failure to support the motorcycle correctly could lead to motorcycle damage or personal injury.

WARNING: All fixings must be tightened to the torque values specified in this instruction. Failure to tighten fixings to the correct torque could result in an unsafe riding condition and possible accident.


CAUTION: Care should be taken when fitting any accessory kit. Incorrect handling kit components or the use of incorrect tools could lead to component or motorcycle damage.

NOTE: The content of this instruction is subject to change at any time without notice or liability. Royal Enfield reserves the right to revise the information presented at any time.

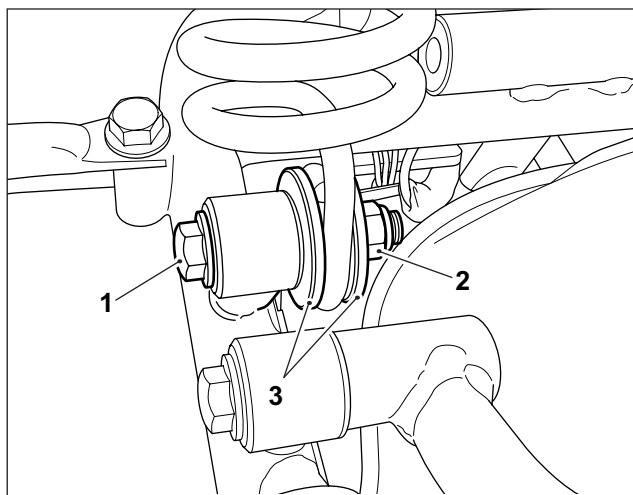


Item	Description	Qty
1	Low seat	1
2	Mounting bracket, left hand	1
3	Mounting bracket, right hand	1
4	Fixing, M8 x 35mm	2
5	Lock nut, M8	6
6	Washer, M8	4
7	Large washer, M8	2


1 Remove the seat rear fixings (1), nuts (2) and spring collars (3) from the left hand side of the motorcycle. Retain the fixings (1), nuts (2) and spring collars (3) for reuse if the original seat is to be refitted.

	12mm Bi-hexagonal socket with ratchet 13mm Spanner
---	---

Repeat for the right hand side of the seat.

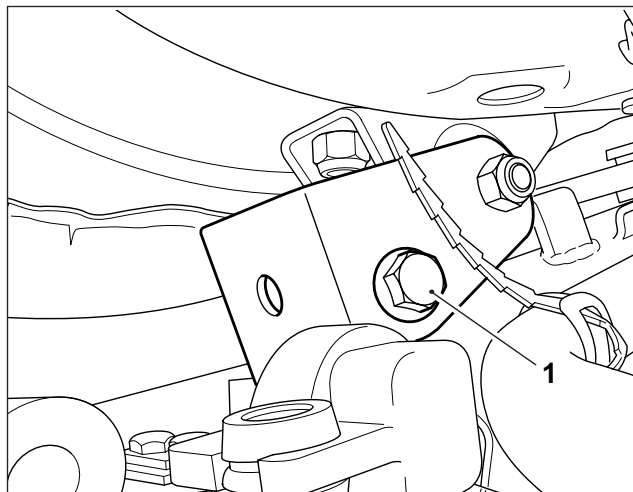


2 Remove the front seat fixing (1) from the right hand side of the motorcycle. Remove the seat. Retain the fixing for reuse. Retain the seat for reuse if the original seat is to be refitted.

	12mm Bi-hexagonal socket with ratchet
---	---------------------------------------

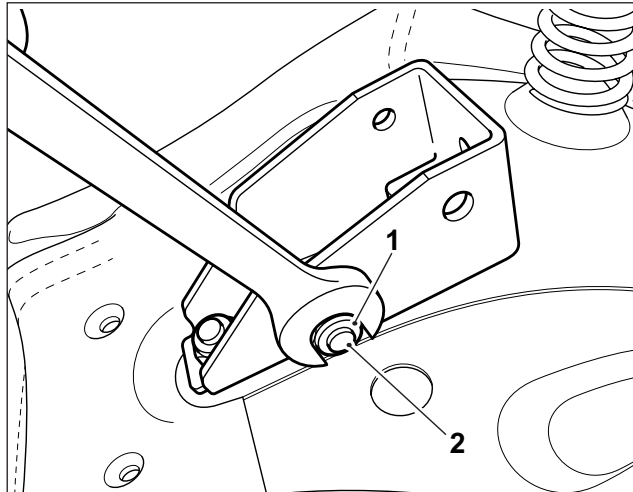
NOTE: California models only.

For models carrying emission vent pipes, the pipework must be re-routed under the frame rails.



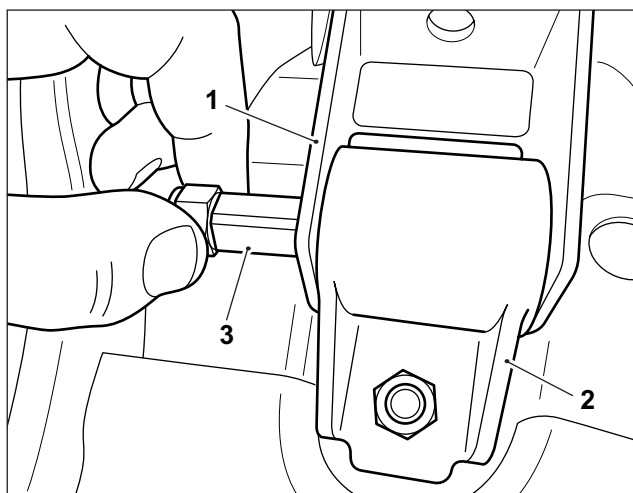
3 Place the seat, cushion side down, on a clean flat work surface. Remove one of the lock nuts (1) from the front mounting bracket retaining pin (2), as shown. Discard the lock nut.

	13mm Spanner
---	--------------




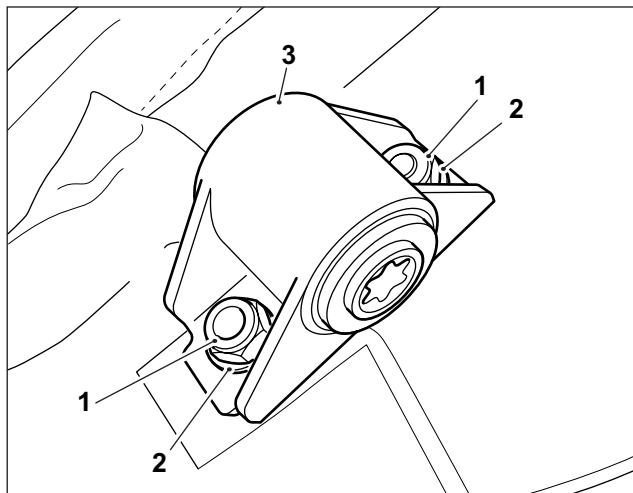
NOTE: Before removing the front mounting bracket (1) note its position relative to the seat mounting (2) to help reassembly.

4 Remove the front mounting bracket retaining pin (3), as shown and remove the front mounting bracket (1) from the front seat mounting (2). Retain the front mounting bracket (1) and retaining pin (3) for reuse.




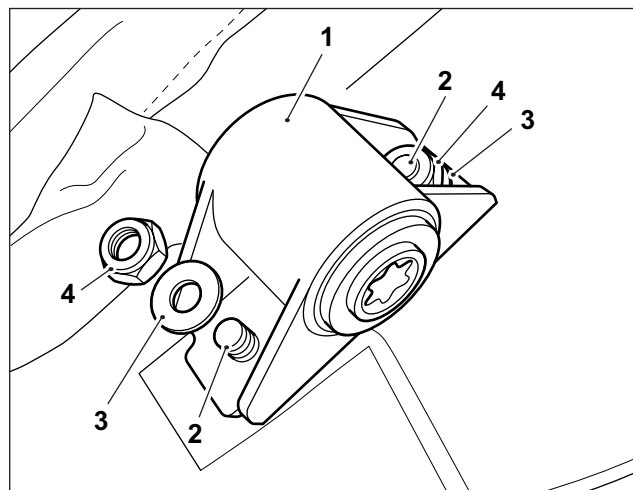
5 Remove the lock nuts (1) and washers (2) securing the front seat mounting (3) to the seat base. Discard the lock nuts and washers. Retain the front seat mounting for reuse. Retain the original seat for reuse if the accessory low seat is removed.

	13mm Bi-hexagonal socket with ratchet
---	---------------------------------------




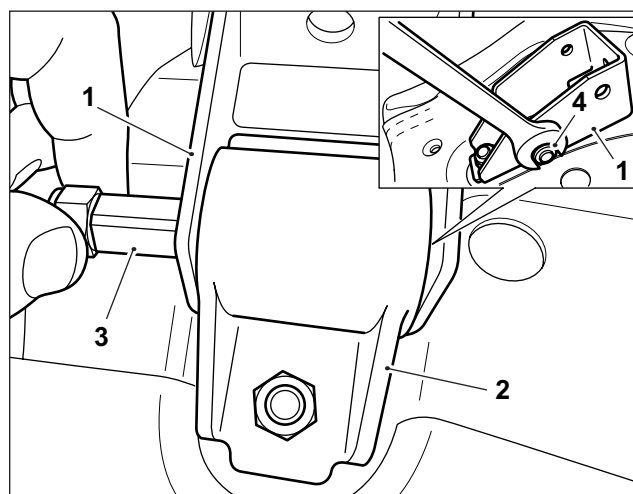
6 Place the accessory seat from the kit, cushion side down, on a clean flat surface. Fit the original front seat mounting (1) on to the mounting studs (2) in the seat base. Fit M8 washers (3) and M8 lock nuts (4) from the kit. Tighten the lock nuts to **25 Nm**.

	13mm Bi-hexagonal socket with torque wrench
---	---

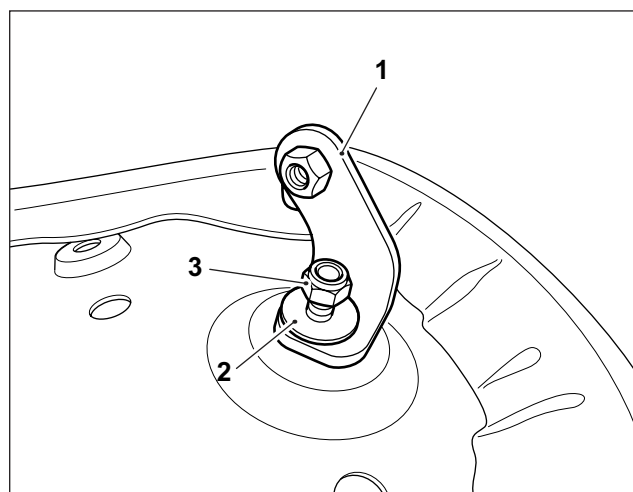


7 Refit the original front seat mounting bracket (1) on to the front seat mounting (2) in the position noted at removal and refit the front mounting bracket retaining pin (3) as shown. Fit an M8 lock nut (4) from the kit to the retaining pin and tighten the lock nut to **25 Nm**.

	13mm Bi-hexagonal socket with torque wrench
---	---



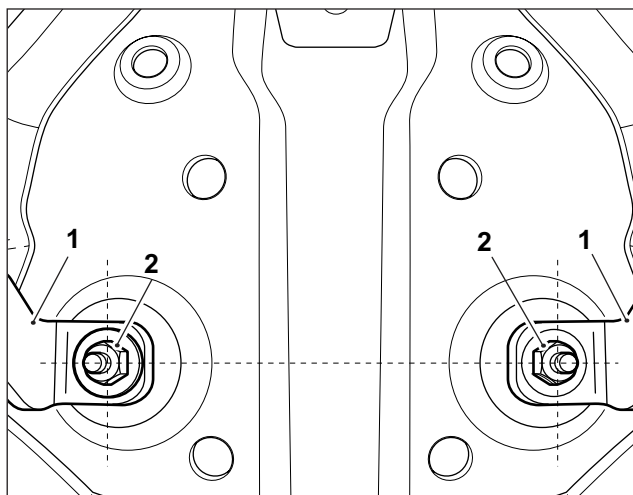
8 Fit the rear mounting brackets (1) from the kit to the seat base in the orientation shown. Retain the brackets (1) to the seat base with the large M8 washers (2) and M8 lock nuts (3) from the kit, right hand side shown. Loosely fit the M8 lock nuts at this stage.



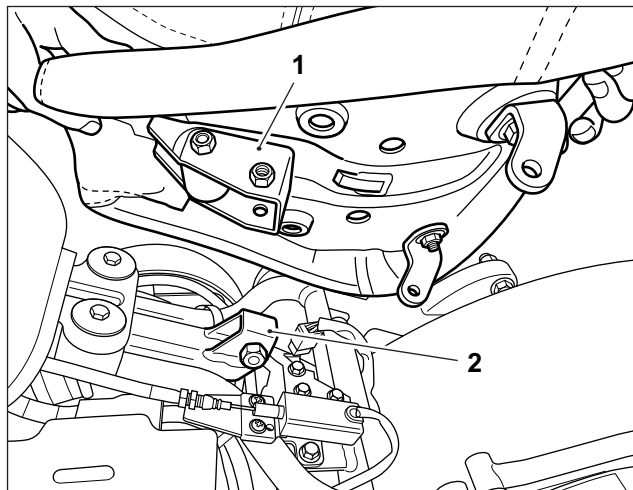
9 Centralise the rear mounting brackets (1) on the seat base mountings, as shown. Tighten the M8 nuts (2) only enough to hold the rear mounting brackets in position at this stage.



13mm Bi-hexagonal socket with ratchet



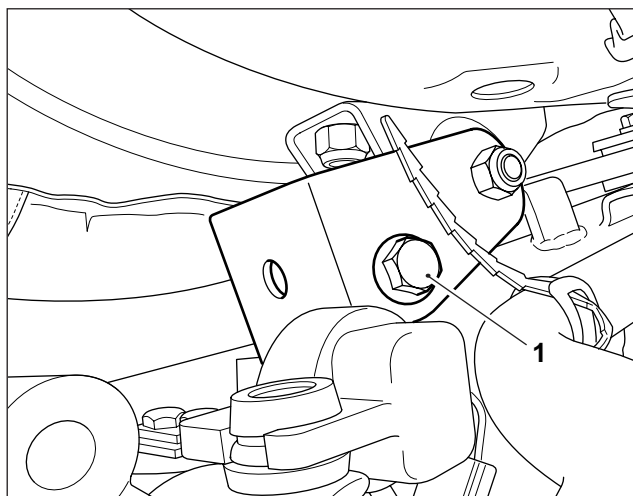
10 Fit the accessory low seat on to the motorcycle aligning the seat front mounting bracket (1) with the mounting (2) on the motorcycle frame.



11 Fit the original seat front fixing (1) from the right hand side of the motorcycle, as shown. Tighten the fixing to **25 Nm**.



12mm Bi-hexagonal socket with torque wrench



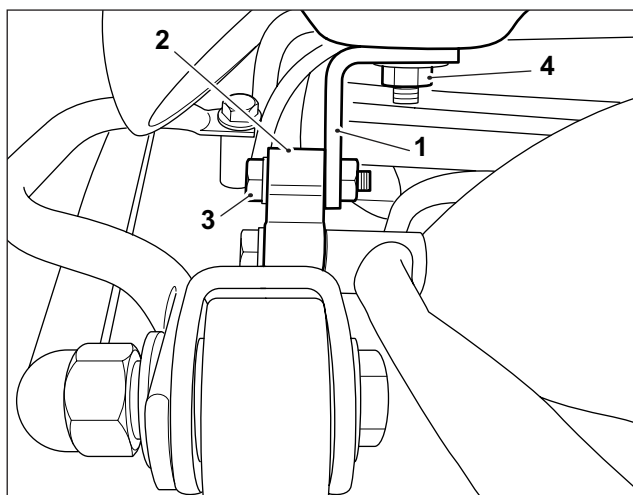
12 Align the left hand seat rear mounting bracket (1) with the original seat mounting point (2) on the motorcycle frame. Loosely fit one of the M8 x 35mm fixings (3) from the kit as shown. If necessary adjust the position of the rear mounting bracket (1) to achieve correct alignment with the seat mounting point. Repeat for the right hand side of the seat.

Tighten both M8 x 35mm fixings (3) to **25 Nm**
Tighten the rear mounting bracket M8 lock nuts (4) to **25 Nm**.

NOTE: If there is insufficient clearance to allow the fixings to be tightened follow steps 13 to 15.



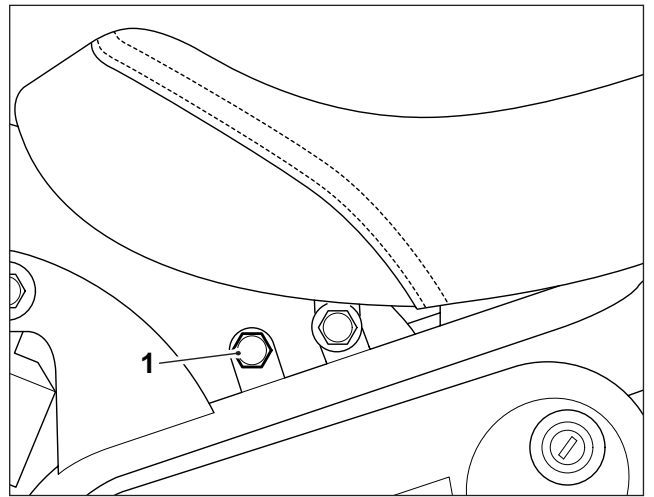
13mm Bi-hexagonal socket with torque wrench



13 Remove the top mudguard fixings (1) right hand side shown. Retain the fixings for reuse.



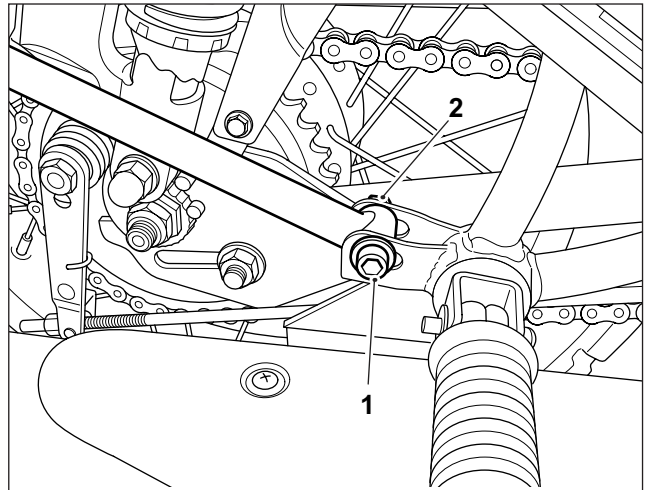
12mm Bi-hexagonal socket with ratchet



14 Loosen the rear mudguard stay lower fixings (1) on the right hand and left hand side of the motorcycle, right hand side shown. Do not remove the nuts (2).



6mm Allen socket with ratchet
12mm Spanner



15 Carefully lower the rear mudguard on to the rear tyre to allow access to the accessory low seat rear fixings.

Tighten both M8 x 35mm fixings (3) to **25 Nm**
Tighten the rear mounting bracket M8 lock nuts (4) to **25 Nm**.



13mm Bi-hexagonal socket with torque wrench

Refit the top mudguard fixings and tighten to **25 Nm**.
Tighten the rear mudguard stay lower fixings to **25 Nm**.



12mm Bi-hexagonal socket with torque wrench
6mm Allen socket with torque wrench
12mm Spanner

WARNING: Check the new seat is securely attached to the motorcycle. If the seat is not correctly secured to the motorcycle it may allow movement or possible detachment of the seat while riding. A loose or detached seat may cause the motorcycle to become unstable and result in an accident.

WARNING: After fitting any genuine Royal Enfield accessory always ride the motorcycle with caution and allow time to become familiar with any change in the motorcycle handling characteristics. Failure to become familiar with any change in the motorcycle handling characteristics may cause the motorcycle to become unstable and result in an accident.