

**Part Number:**

KXA00001, KXA00002, KXA00003, KXA00004  
KXA00005, KXA00006, KXA00007, KXA00008

**Models:**

BSVI Meteor & Classic  
With VIN starting ME3J3A5FAL3



**WARNING:** Royal Enfield genuine accessories are designed to fit only the specific Royal Enfield motorcycle(s) that are specified by the model name and VIN number above. They should not be fitted to any other type of motorcycle. Pay particular attention to the warnings and cautions contained in this instruction, failure to do so may result in an incorrect installation of the accessory which could result in an unsafe riding condition and possible accident. If in any doubt always seek help from your authorised Royal Enfield dealer.



**WARNING:** Before starting any accessory kit installation ensure the motorcycle is supported in a stable condition. Failure to support the motorcycle correctly could lead to motorcycle damage or personal injury.

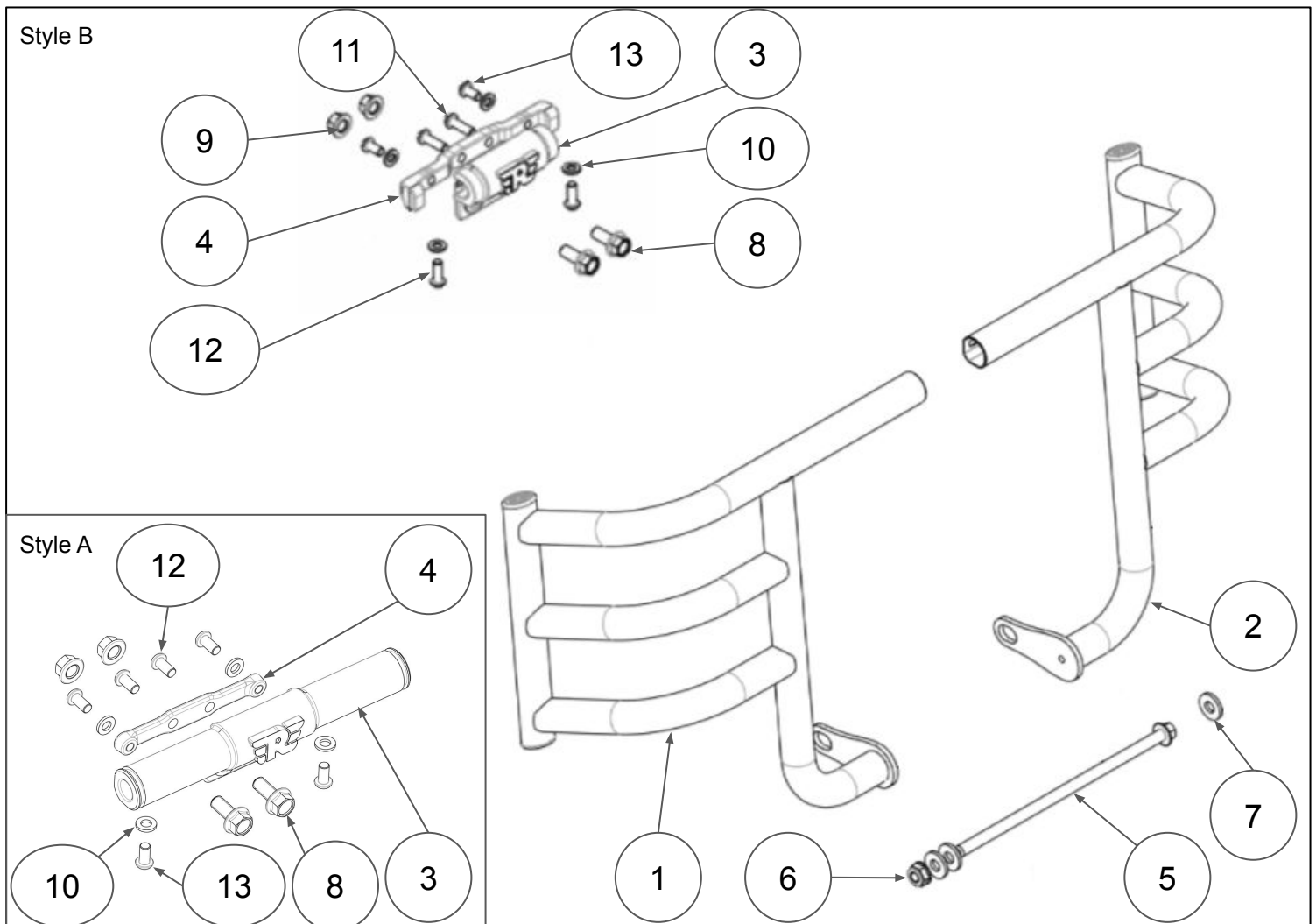


**WARNING:** All fixings must be tightened to the torque values specified in this instruction. Failure to tighten fixings to the correct torque could result in an unsafe riding condition and possible accident.

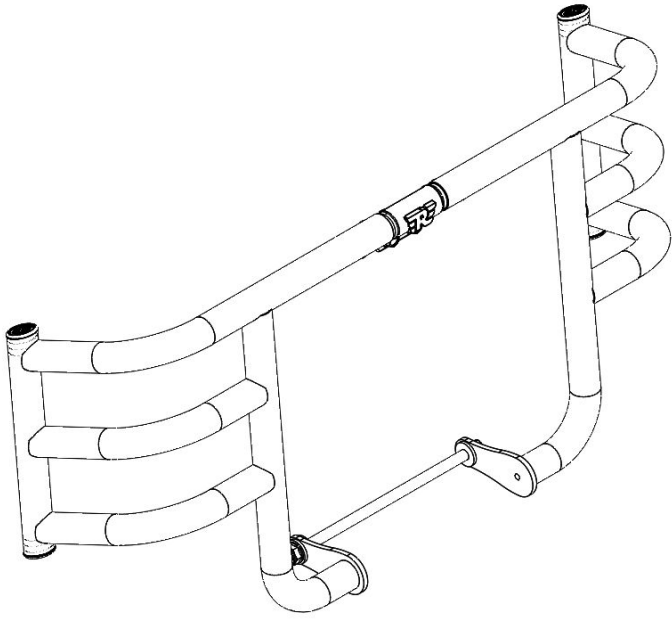


**CAUTION:** Care should be taken when fitting any accessory kit. Incorrect handling of kit components or the use of incorrect tools could lead to component or motorcycle damage.

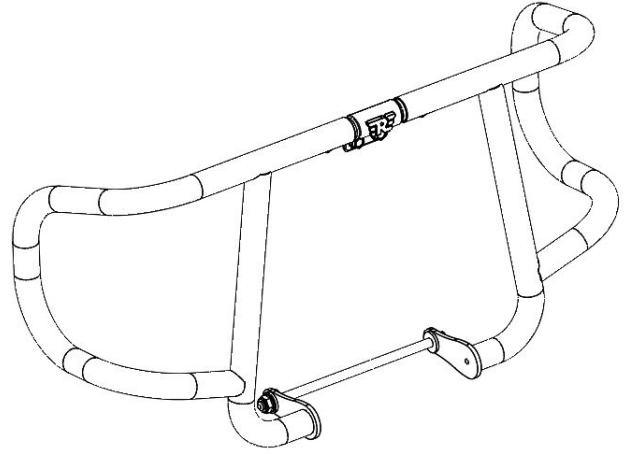
**NOTE:** The content of this instruction is subject to change at any time without notice or liability. Royal Enfield reserves the right to revise the information presented at any time.



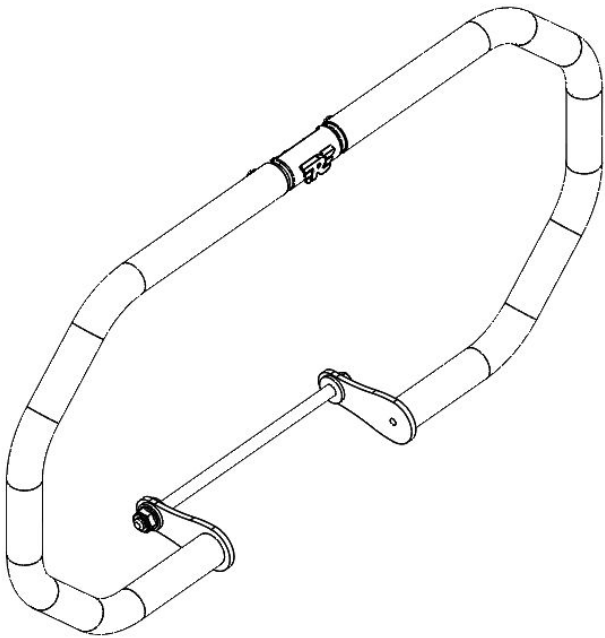
KXA00001, KXA00002



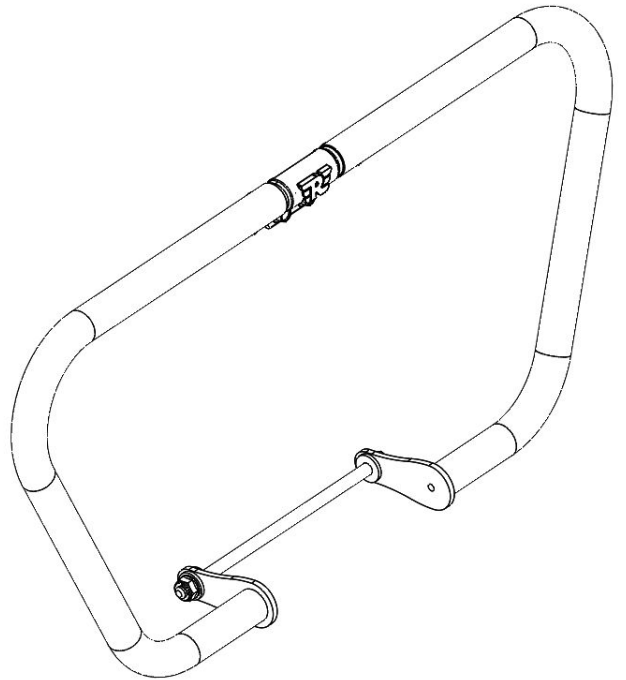
KXA00003, KXA00004



KXA00005, KXA00006



KXA00007, KXA00008

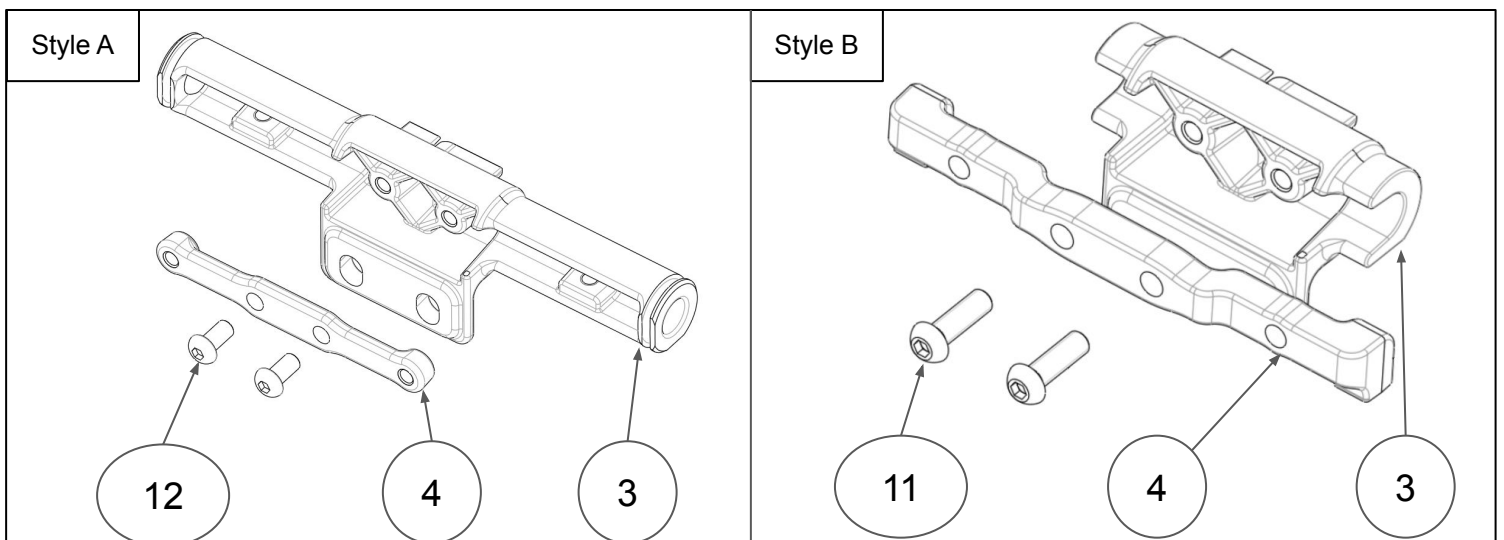
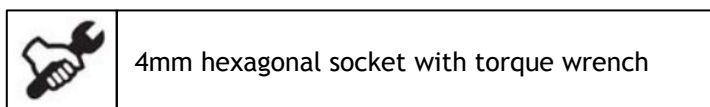


**NOTE:** The instructions detailed below apply to any of the engine guard variants shown above. KXA00001/2 is shown for illustration purposes only.

Item	Description	Style A Qty	Style B Qty
1	Engine Guard RH Assy	1	1
2	Engine Guard LH Assy	1	1
3	Engine Guard Top Mount	1	1
4	Brace Bar	1	1
5	Bolt, M10 x 240	1	1
6	M10 U-Nut	1	1
7	M10 Washer	3	3
8	Bolt, M8 x 20	2	2
9	M8 Nut	2	2
10	M6 Washer	4	4
11	Bolt, M6 x 20	0	2
12	Bolt, M6 x 16	4	2
13	Bolt, M6 x 12	2	2

**Note:** Instructions below detail the fitment of the Airfly engine guard variant for illustration purposes only. The same procedure applies to all accessory engine guard variants.

**1** Assemble the brace bar (4) with the engine guard top mount (3) using 2 No. M6 bolts (11/12). Tighten to **8Nm**. Note that there are two options of brace bar and top mount in existence, as below. Instructions are valid for both types.

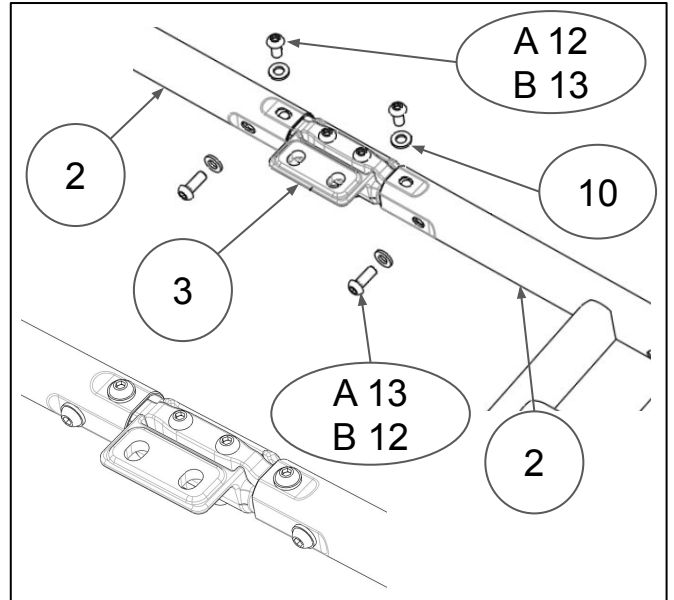


## 2 To Assemble Style A

Assemble the engine guard, LH (2) and RH (1) to the top mount (3) using 2 No. M6 bolts (13), 2 No. M6 bolts (12) and 4 No. M6 washers (10). Tighten the bolts to **8Nm**.

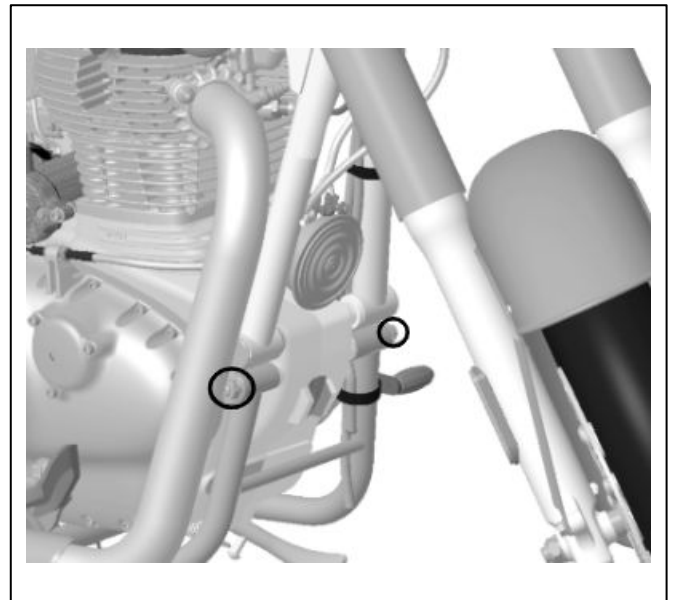
## To Assemble Style B

Assemble the engine guard, LH (2) and RH (1) to the top mount (3) using 2 No. M6 bolts (12), 2 No. M6 bolts (13) and 4 No. M6 washers (10). Tighten the bolts to **8Nm**.



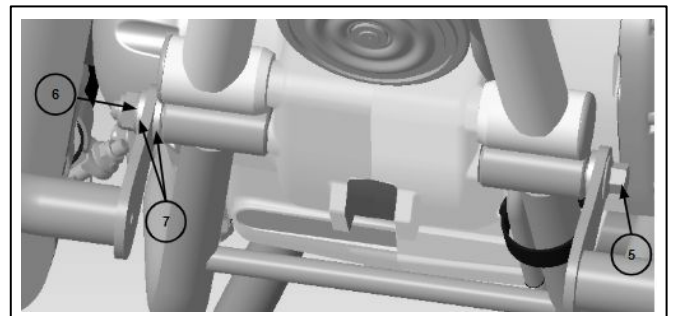
	<p>4mm hexagonal socket with torque wrench</p>
--	--

**3** Remove the M10 bolt and nut from the vehicle cradle assembly as shown highlighted. Discard the nut and bolt.



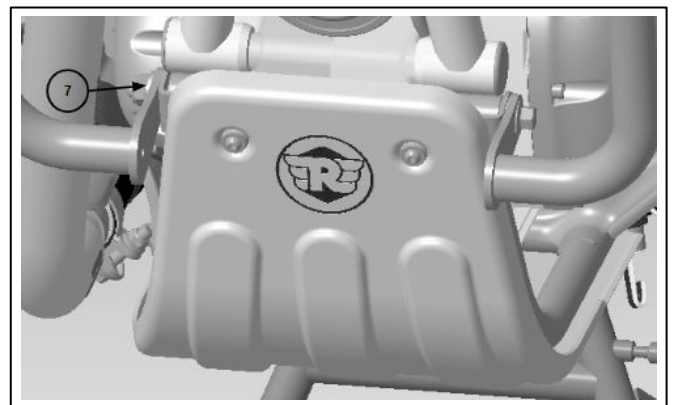
	<p>13mm socket wrench 17mm spanner</p>
--	--

**4** Bottom mount to be located first and clearance ensured to header exhaust pipe before tightening. Assemble the engine guard bottom mount using M10 bolt (5), 2 No. M10 washers (7) between the cradle and the engine guard, 1 No. M10 washer (7) under the M10 U-nut (6). Tighten bolt to **55Nm**.




Note: Torque should be applied to the bolt head, rather than the nut.

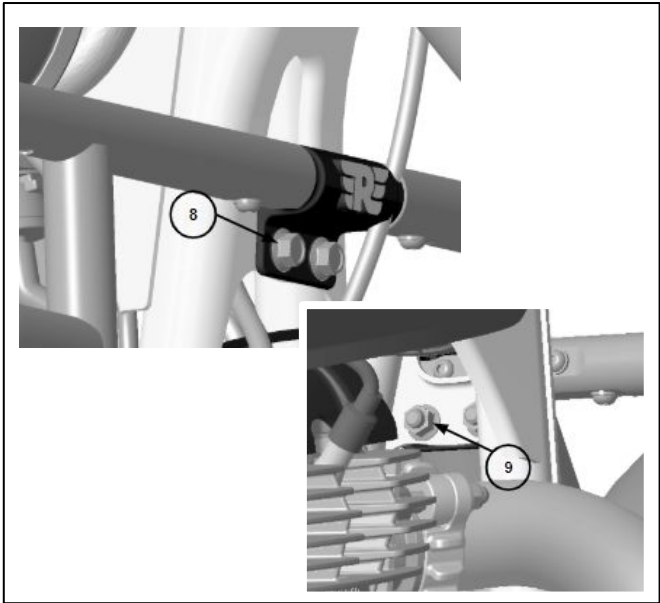
Note: If the accessory sump guard is to be fitted with the engine guards, omit the 2 No. M10 washers (7) between the cradle and the engine guard, as shown below.



	<p>13mm socket with torque wrench 17mm spanner</p>
--	--

**5** Assemble the top mount to the chassis using 2 No. M8 bolts (8) and 2 No. M8 nuts (9). Tighten the bolts to **25Nm**.

	<p>13mm socket with torque wrench 13mm spanner</p>
--	--



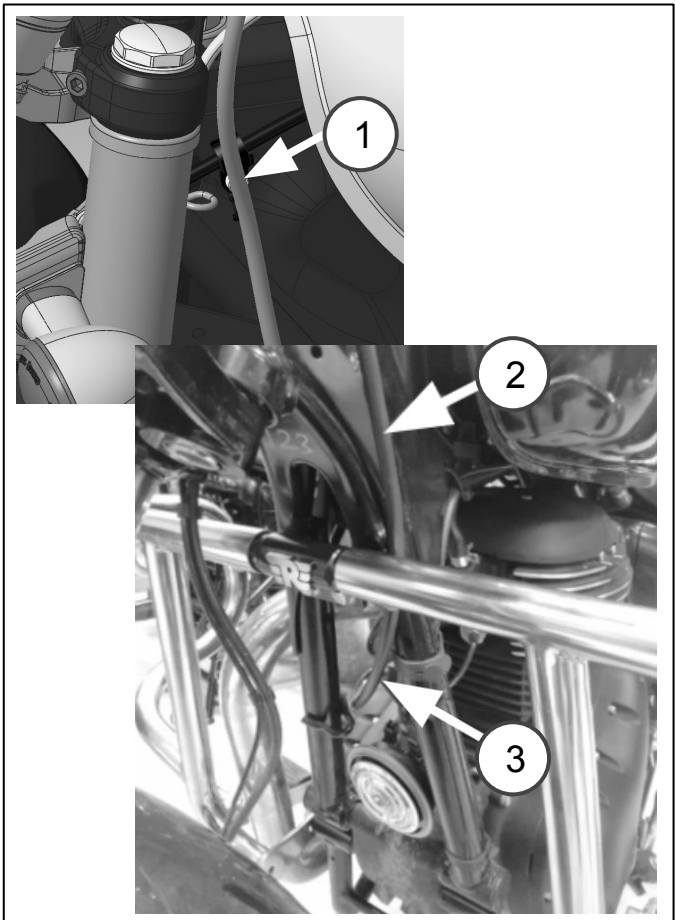
## 6 Clutch cable routing

Classic 350	Refer Step 6.1
Meteor	Refer Step 6.2

### 6.1 Classic 350

1. Ensure the clutch is **not routed** through the upper wire guide at the top of the front LH fork. Easily unplug the clip from the vehicle, its snap fitted.
2. Ensure the clutch cable is **routed** behind the engine guard as shown.
3. Ensure the clutch cable is **not routed** through the wire guide on the down tube, located near the horn.

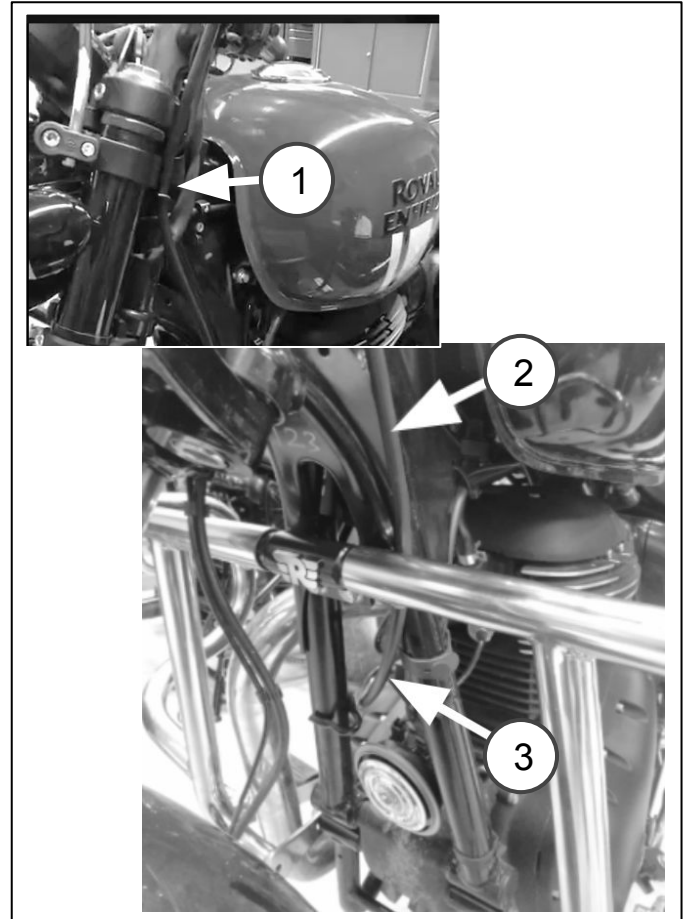
*Note: after installation, the clutch cable free play should be checked and adjusted as per Royal Enfield standard T4200580*



## 6.2 Meteor

1. Ensure the clutch is **routed** through the upper wire guide at the top of the front LH fork.
2. Ensure the clutch cable is **routed** behind the engine guard as shown.
3. Ensure the clutch cable is **not routed** through the wire guide on the down tube, located near the horn.

*Note: after installation, the clutch cable free play should be checked and adjusted as per Royal Enfield standard T4200580*



**WARNING:** After fitting any genuine Royal Enfield accessory always ride the motorcycle with caution and allow time to become familiar with any change in the motorcycle handling characteristics. Failure to become familiar with any change in the motorcycle handling characteristics may cause the motorcycle to become unstable and result in an accident.