

Part Number:
KXA00035

Models:
BSVI CLASSIC With VIN starting ME3J3A5FAL3
BSVI BULLET With VIN Starting
ME3J3B5FLN2000051

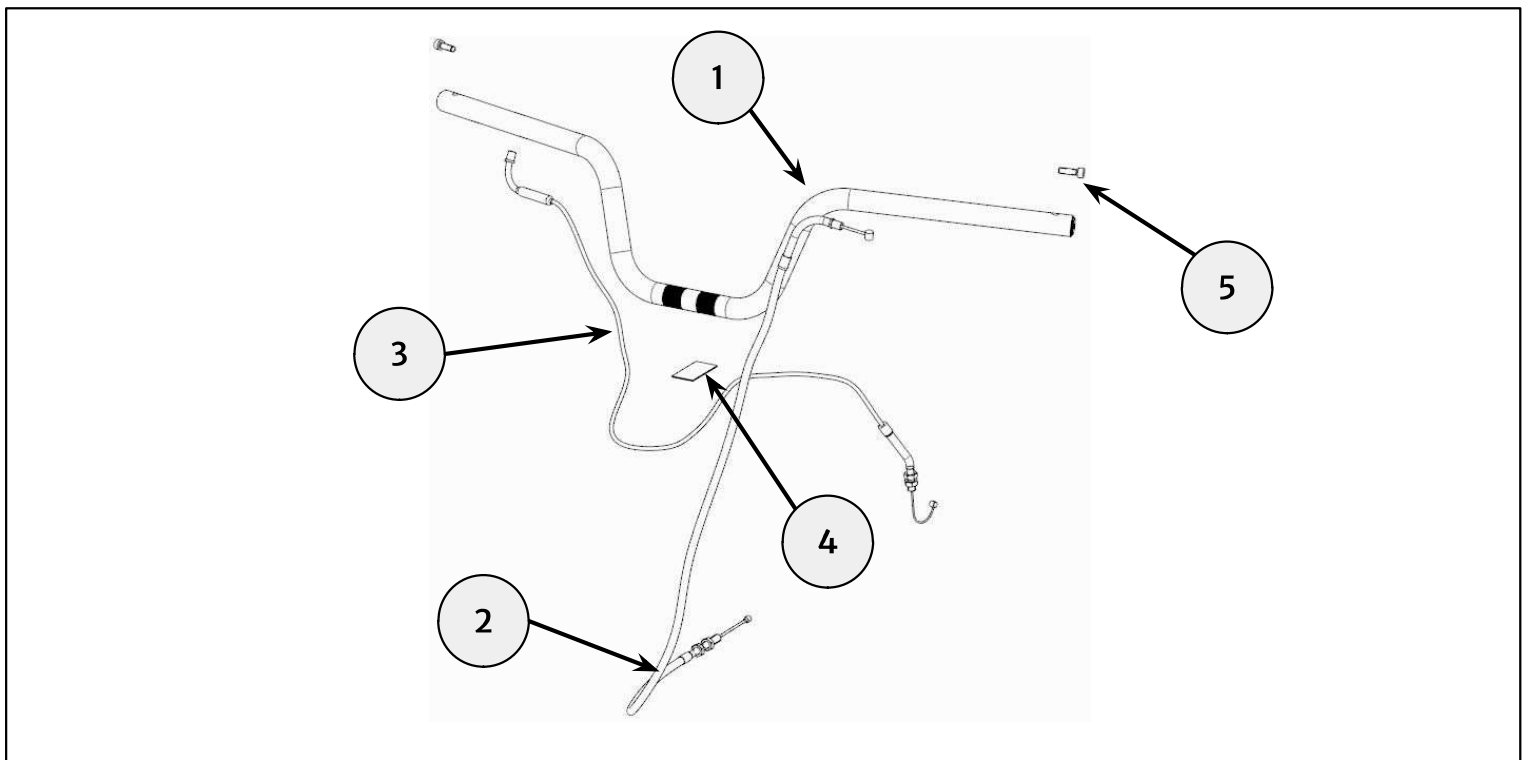
WARNING: Royal Enfield genuine accessories are designed to fit only the specific Royal Enfield motorcycle(s) that are specified above. They should not be fitted to any other type of motorcycle. Pay particular attention to the warnings and cautions contained in this instruction, failure to do so may result in an incorrect installation of the accessory which could result in an unsafe riding condition and possible accident. If in any doubt always seek help from your authorised Royal Enfield dealer.

WARNING: Before starting any accessory kit installation ensure the motorcycle is supported in a stable condition. Failure to support the motorcycle correctly could lead to motorcycle damage or personal injury.

WARNING: All fixings must be tightened to the torque values specified in this instruction. Failure to tighten fixings to the correct torque could result in an unsafe riding condition and possible accident

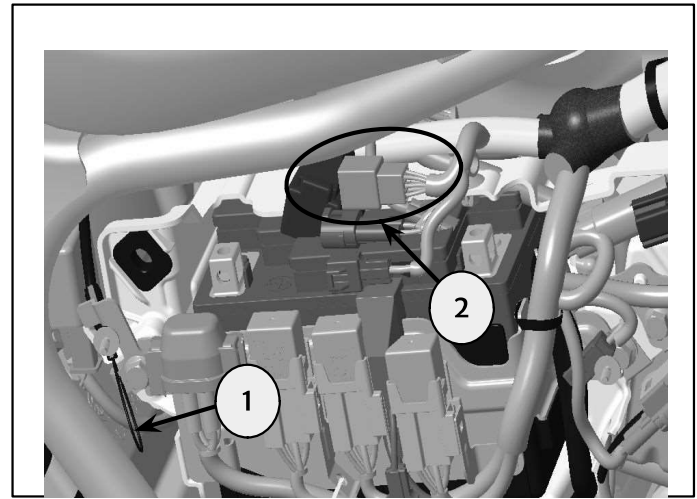
CAUTION: Care should be taken when fitting any accessory kit. Incorrect handling of kit components or the use of incorrect tools could lead to component or motorcycle damage.

NOTE: The content of this instruction is subject to change at any time without notice or liability. Royal Enfield reserves the right to revise the information presented at any time.



Item	Description	Qty
1	Handlebar Assembly, Touring	1
2	Clutch Cable, Touring Handlebar	1
3	Throttle Cable, Touring Handlebar	1
4	Handlebar Grip Adhesive	1
5	Fixing M6 X 20mm	2

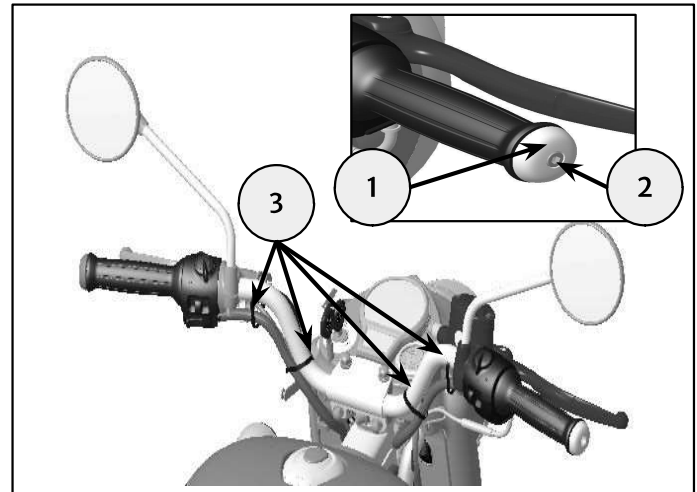
NOTE: Before starting fitment, ensure the ignition is OFF. Remove right side cover and disconnect the negative terminal from the battery as described in the Owner's Manual. Remove the Clutch Cable from the Engine as per service manual.



1 Remove the fixing (2) and dismantle bar end weight (1), retain bar end weight and discard the fixing. Do on both sides. Remove the rubber ties(3) and retain for reuse.



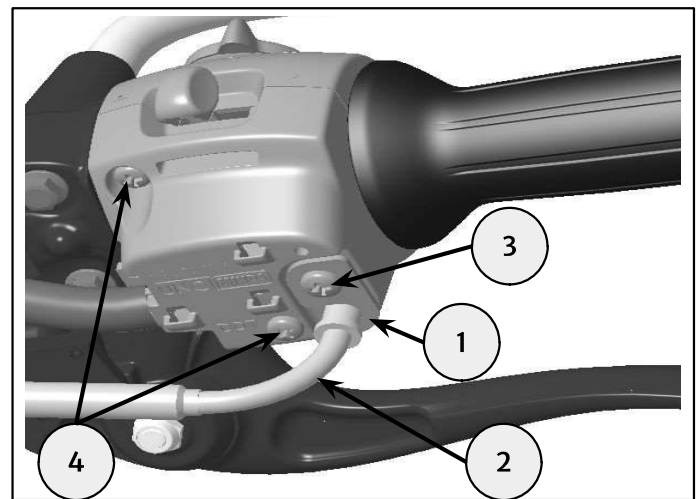
5mm hexagonal bit and ratchet



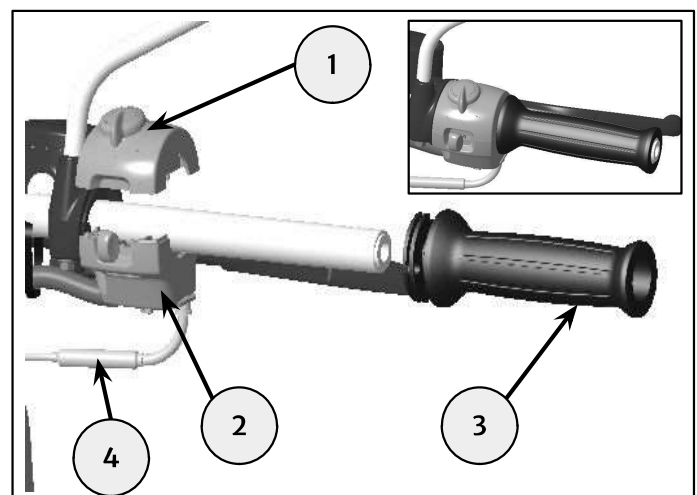
2 On the right hand side slightly loosen fixing (3) to allow the rotor plate (1) to rotate (ease to remove throttle cable(2) in next step). Remove fixings (4) from switch cube, retain all for reuse.



Phillips Screwdriver



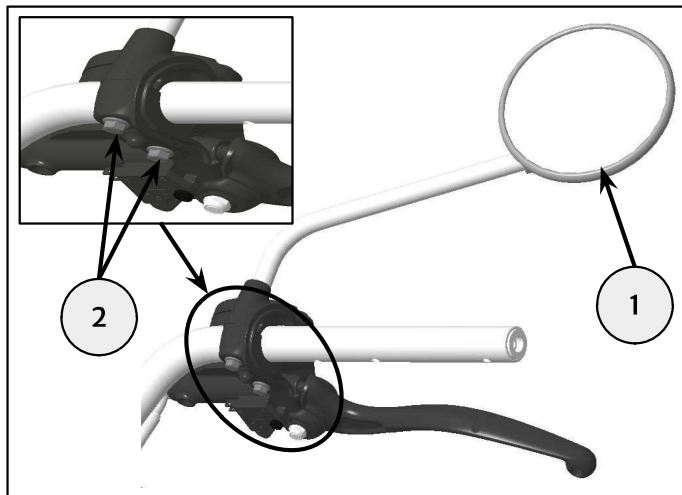
3 Open switch cube top half (1) as shown. Remove the throttle cable (4) from throttle grip (3) by sliding the cylinder end out and pull out the cable from switch cube. Remove the throttle grip from the handle bar and retain all for reuse.



4 Remove mirror (1) and retain for reuse. Remove fixings (2) from ABS master cylinder housing. Retain the lower mounting and fixings for reuse. Support the ABS master cylinder housing.



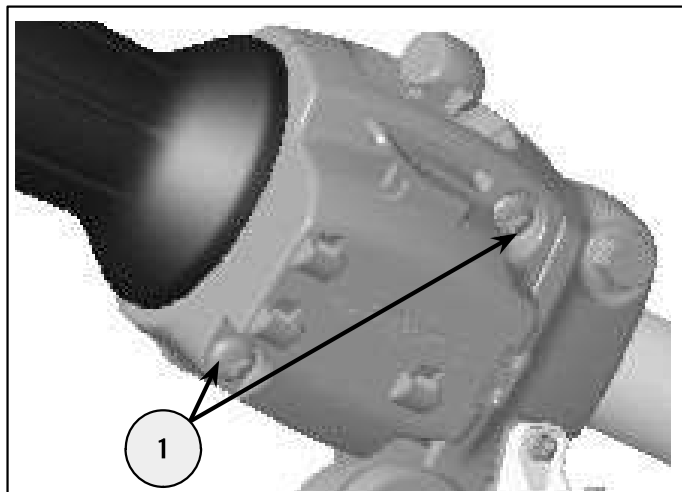
10mm socket and ratchet.
14mm spanner.



5 On the left hand side remove fixings (1) from switch cube, and open the top and bottom half of switch cube, retain all for reuse.



Phillips Screwdriver

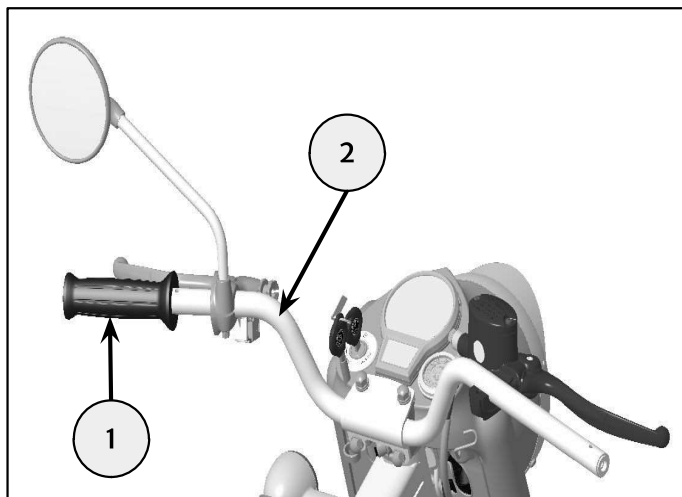


6 Remove the left handgrip(1) from handlebar(2). Insert a flat head screwdriver or similar between the handlebar and hand grip and rotate to 180 degree to disconnect the bondings, being careful to prevent damage to the bar. Place the 24mm spanner on the handgrip and tap using soft hammer to slide out the handgrip.

Note : Securely hold the handlebar to ensure smooth removal of handgrip without damaging any other parts.



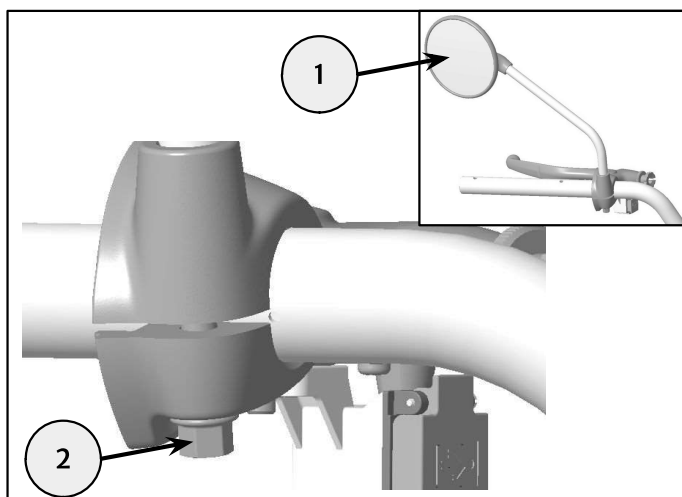
Stanley Knife.
24mm Spanner.
Soft Hammer (Mallet).
Flat head screwdriver.



7 Remove the mirror (1), remove fixing (2) and retain all for reuse. Don't slide out the clutch lever assembly at this stage.



8mm socket and ratchet.
14mm spanner.

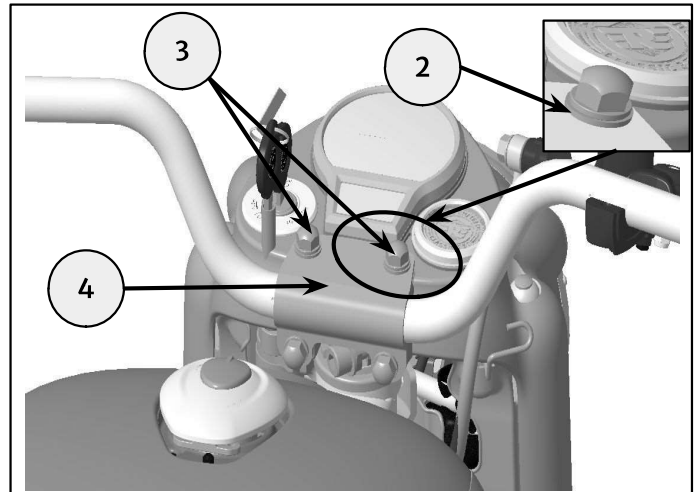
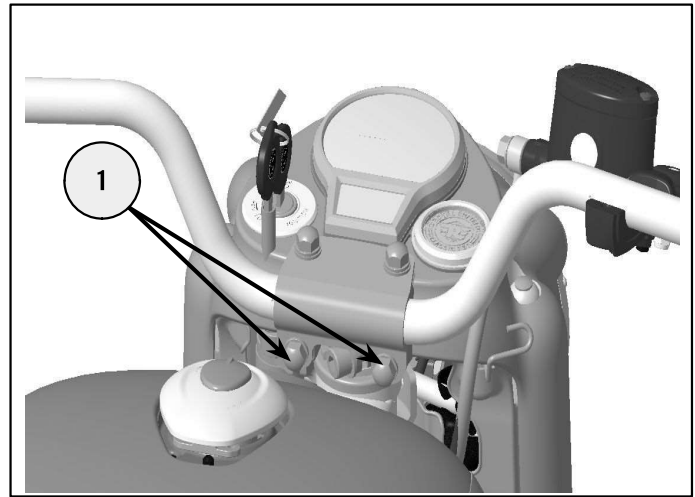


8 Remove handle bar by loosening the fixings(1) and washer (2) from the bottom side, and then fixings(3) and washer (2) on the top side as shown. Retain the fixings, washers and top clamp(4) for reuse.

CAUTION: Before loosening the handlebar clamp fixings, ensure adequate protection has been applied to the fuel tank as handlebar will freely rotate.



13mm socket and ratchet

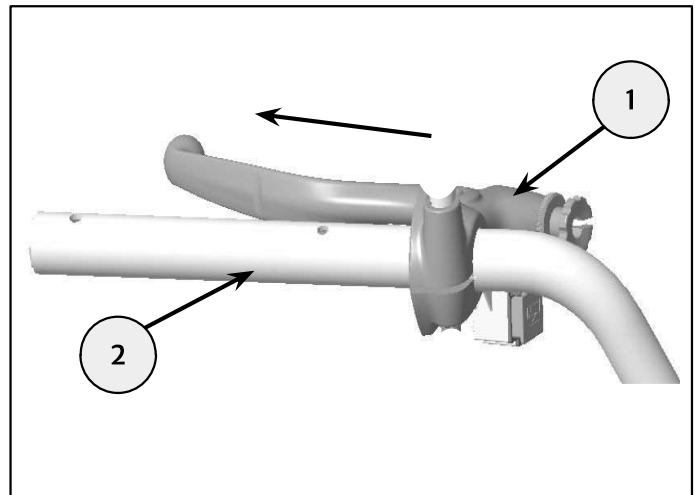


9 Slide out the clutch lever assembly (1) from the handle bar(2) and retain for reuse. If required use soft hammer (mallet).

CAUTION: Before sliding out the clutch lever assembly, ensure adequate protection has been given to the vehicle and support for the clutch lever.



Soft Hammer (Mallet)

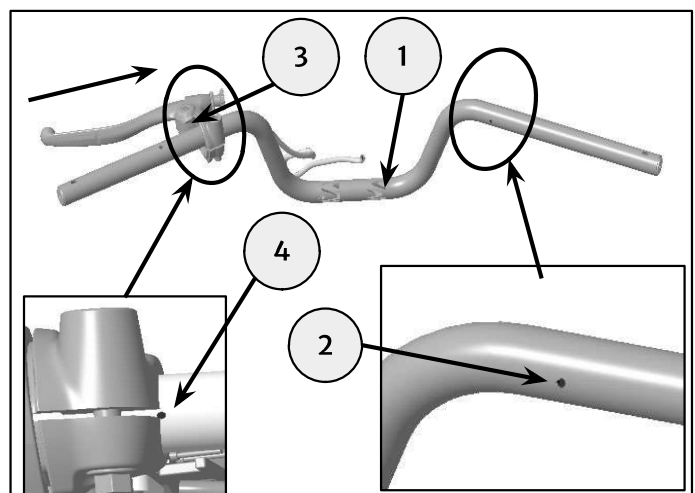


10 Use Touring handlebar (1) from the kit. Ensure the Dot mark (2) at right hand side as shown. Insert the clutch lever assembly (3) retained in step 9 to the left side, slide through approximately till the dot mark (4) as shown.

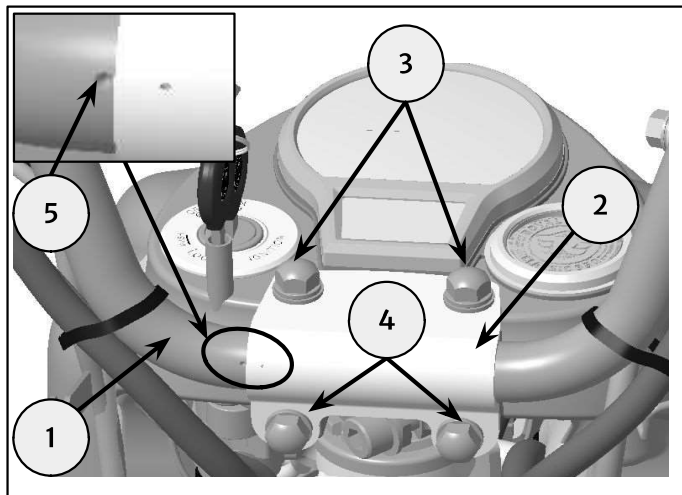
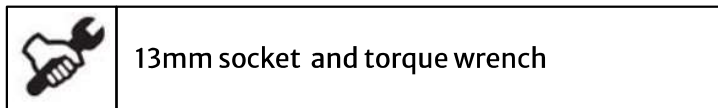
CAUTION: The existing clutch lever perch may be difficult to refit due to a reduction in clamp diameter after tightening. It is therefore recommended to purchase a replacement clutch lever perch from Royal Enfield Spares, to ease fitting to the new handlebar.



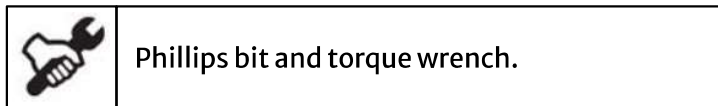
Soft Hammer (Mallet)



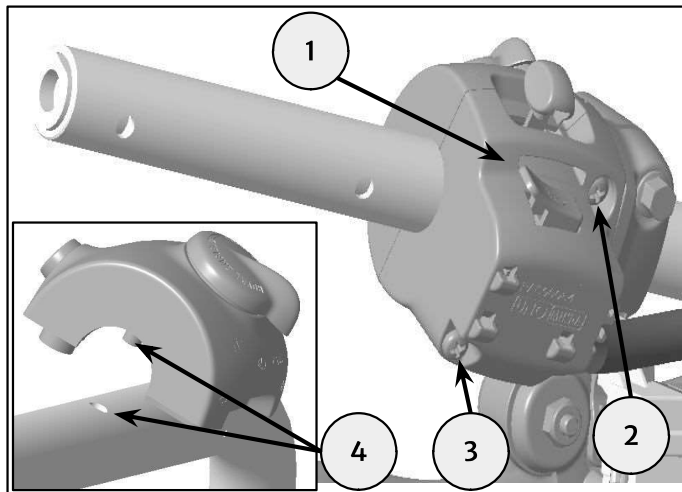
11 Position Touring handlebar (1) as shown. Ensure the dot mark (5) on the clamp (2) and handlebar (1) are approximately straight inline to eyesight. Reuse fixings and washers from step 8, tight top fixings with washer (3) to 12Nm. Now, tighten the bottom fixings (4) to 12Nm.



12 Refit switch cube assembly (1) on clutch lever side using fixings M5 x 30 (2) and M5 x 50 (3) retained from step 5. Use guide pin and hole (4) to locate switch cube top half onto the handlebar as shown. Tighten fixings to 2.5Nm.

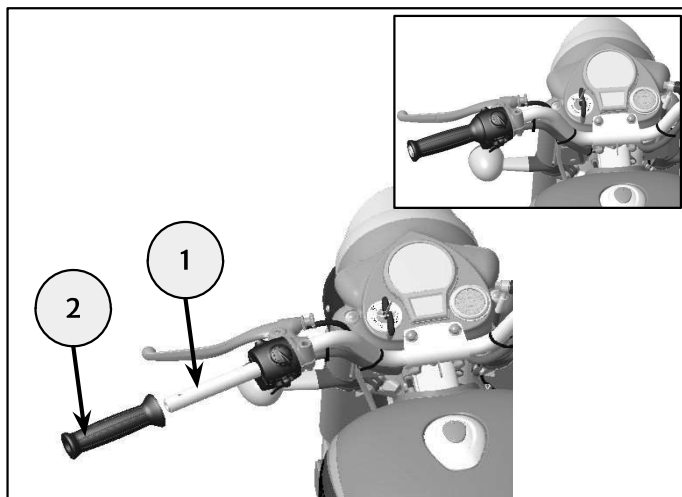


CAUTION: Before Next Step, Perform a left hand to right hand steering test to check the switch cube clearance. The switch cubes should not make contact with the fuel tank.

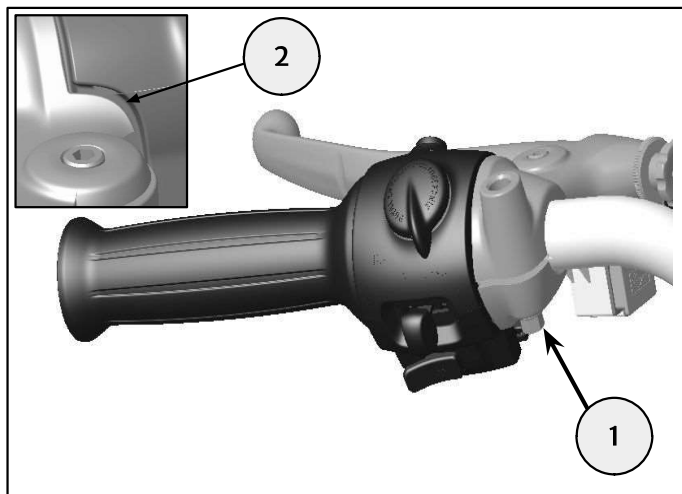
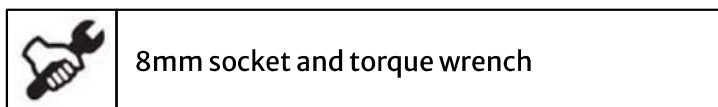


13 Reuse left hand side handgrip (2) from step 6. Use grip adhesive from the kit and apply to internal area of the grip (wherever possible) and to the corresponding handlebar (1) area (wherever possible). Wait for 15 minutes to allow the adhesive to cure and then slide on the grip to the handlebar as shown.

WARNING: It is advised to purchase a new Left hand side handgrip from Royal Enfield Spares as removing the bonded grip can cause damage and make the grip unusable.



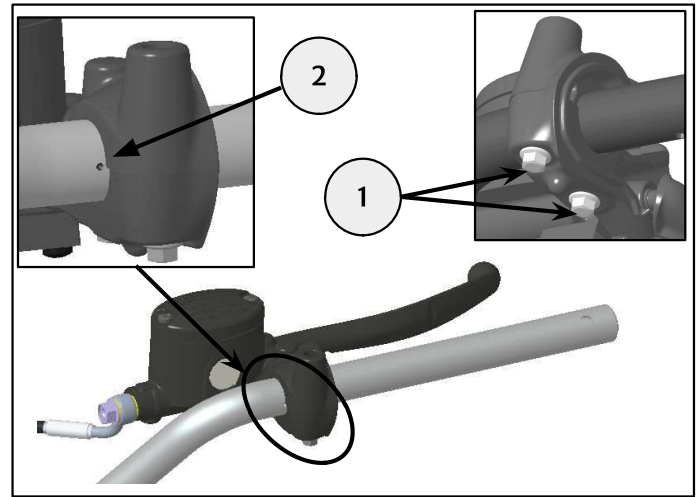
14 Rotate and align the Clutch Lever and Switch cube as shown, Maintain approximate gap (2) of 3–5mm as shown. Use fixing (1) from step 7 and tighten to 12Nm



15 Refit the Brake master cylinder to the right hand side, use dot mark(2) to align with handlebar as shown. Reuse fixings(1) from step 4 and tighten to **10 Nm**.



10mm socket and ratchet

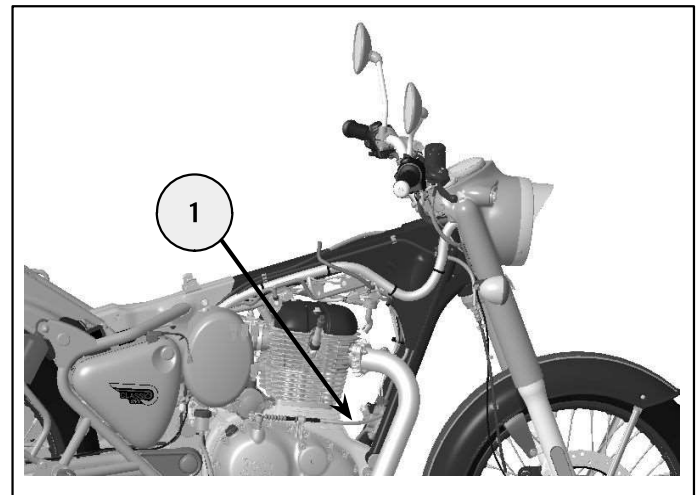


16 Remove Pillion seat, Rider seat, and Fuel tank as per the service manual.

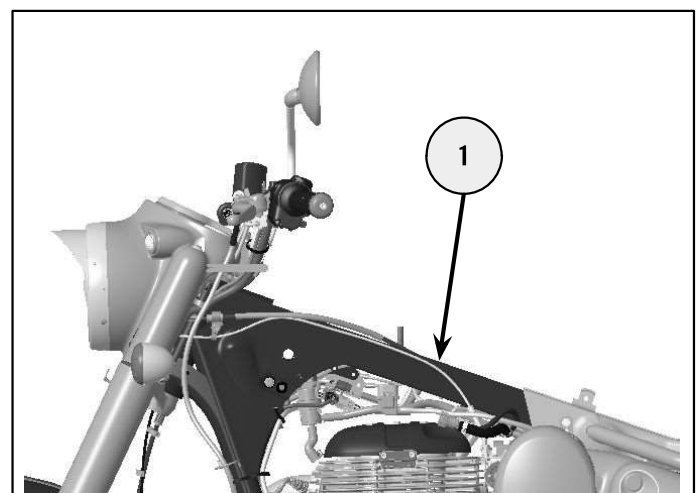


17 Use Clutch Cable (1) from the Kit to replace the existing one. Maintain the Routing as per the supplied bike condition. Refer the service manual to remove the surrounding parts.

NOTE: Ensure the Clutch Free Play Setting as per the TDL-T4200815 / service manual.



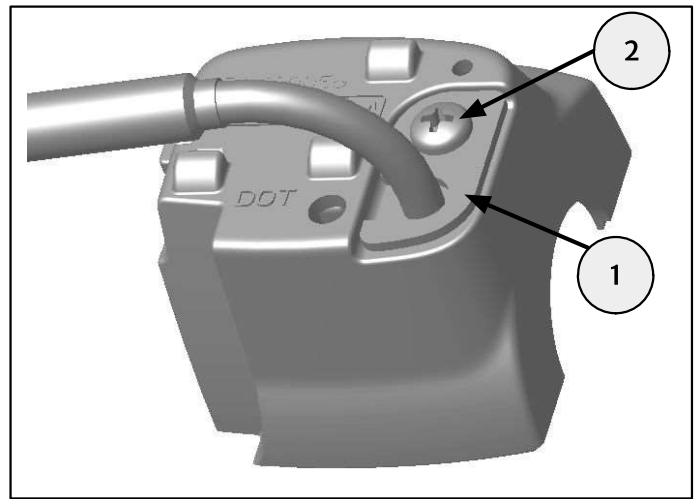
18 Use throttle Cable (1) from the Kit to replace the existing one and maintain the routing as per the supplied bike condition. Refer the service manual to remove the surrounding parts.



19 Insert the throttle cable end to the right hand side switch cube retained in step 3. Rotate the rotor plate (1) in position as shown and tighten fixing (2) to **2.5Nm**.



Phillips bit and torque wrench.

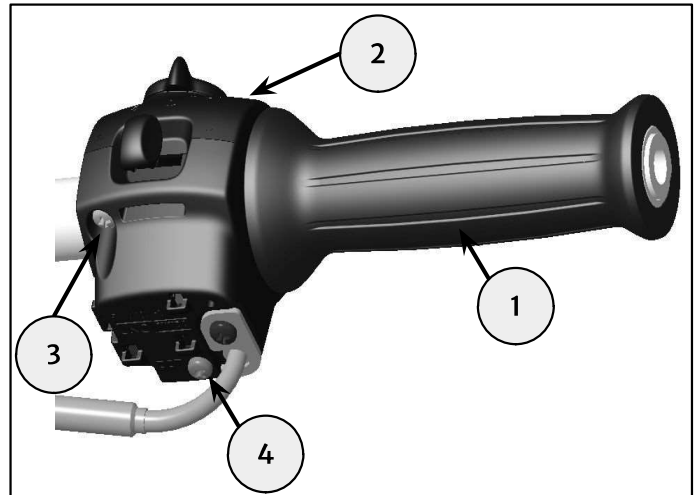


20 Throttle cable to slide on the throttle grip to the handle and join the cable end cylinder to the throttle grip(1). Locate the switch cube(2) on the hole in the handlebar to set the angle then clamp the two halves with the fixing M5 x 30(3) and fixing M5 x 50(4) and tighten to **2.5Nm**.

NOTE: Ensure the Throttle Free Play Setting as per the TDL-T4200692/ service manual



Phillips bit and torque wrench.



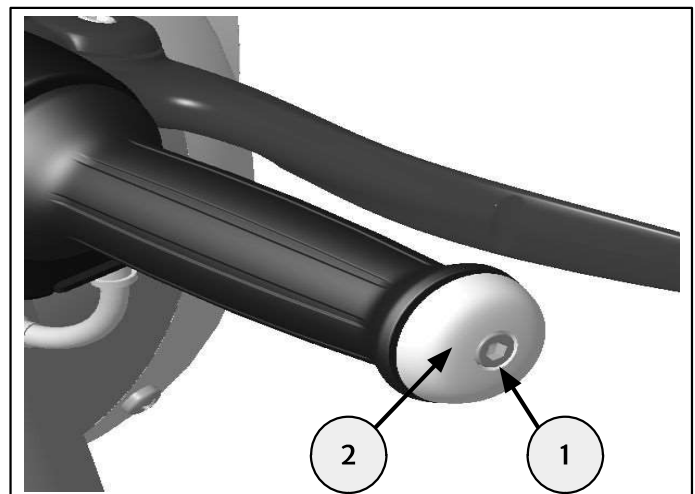
21 Refit the Rider seat, Pillion seat, and Fuel tank as per the service Manual and ensure the functionality.



22 Use fixing(2) from the kit, to assemble bar end weight(1) retained in step 2. Tighten fixing to **10Nm**. Do on both sides.



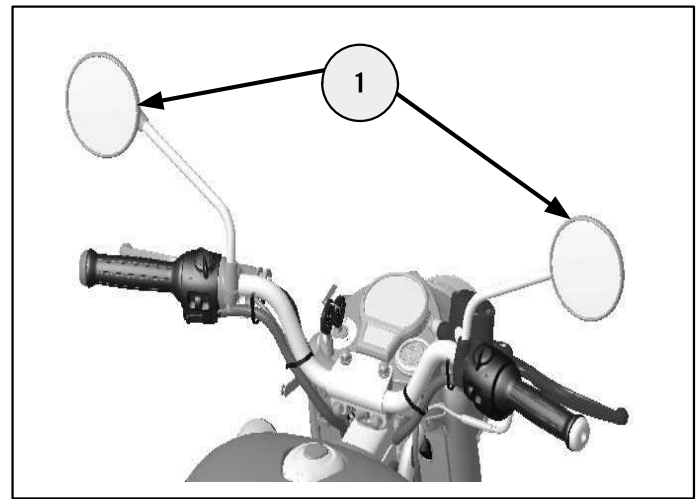
5mm hexagonal bit and torque wrench.



23 Refit the mirror(1) retained from step 4 and 7 as shown. Use rubber ties(2) retained from step 1 to secure the harness as shown.



14mm spanner.



24 Reconnect the negative terminal to battery and reassemble the right side cover, as described in the Owner's Manual.



WARNING: After fitting any genuine Royal Enfield accessory always ride the motorcycle with caution and allow time to become familiar with any change in the motorcycle handling characteristics. Failure to become familiar with any change in the motorcycle handling characteristics may cause the motorcycle to become unstable and result in an accident.