




Part Number:
KXA00408
KXA00454

Models:
Himalayan
(452cc only)

 **WARNING:** Royal Enfield genuine accessories are designed to fit only the specific Royal Enfield motorcycle(s) that are specified above. They should not be fitted to any other type of motorcycle. Pay particular attention to the warnings and cautions contained in this instruction, failure to do so may result in an incorrect installation of the accessory which could result in an unsafe riding condition and possible accident. If in any doubt always seek help from your authorised Royal Enfield dealer.

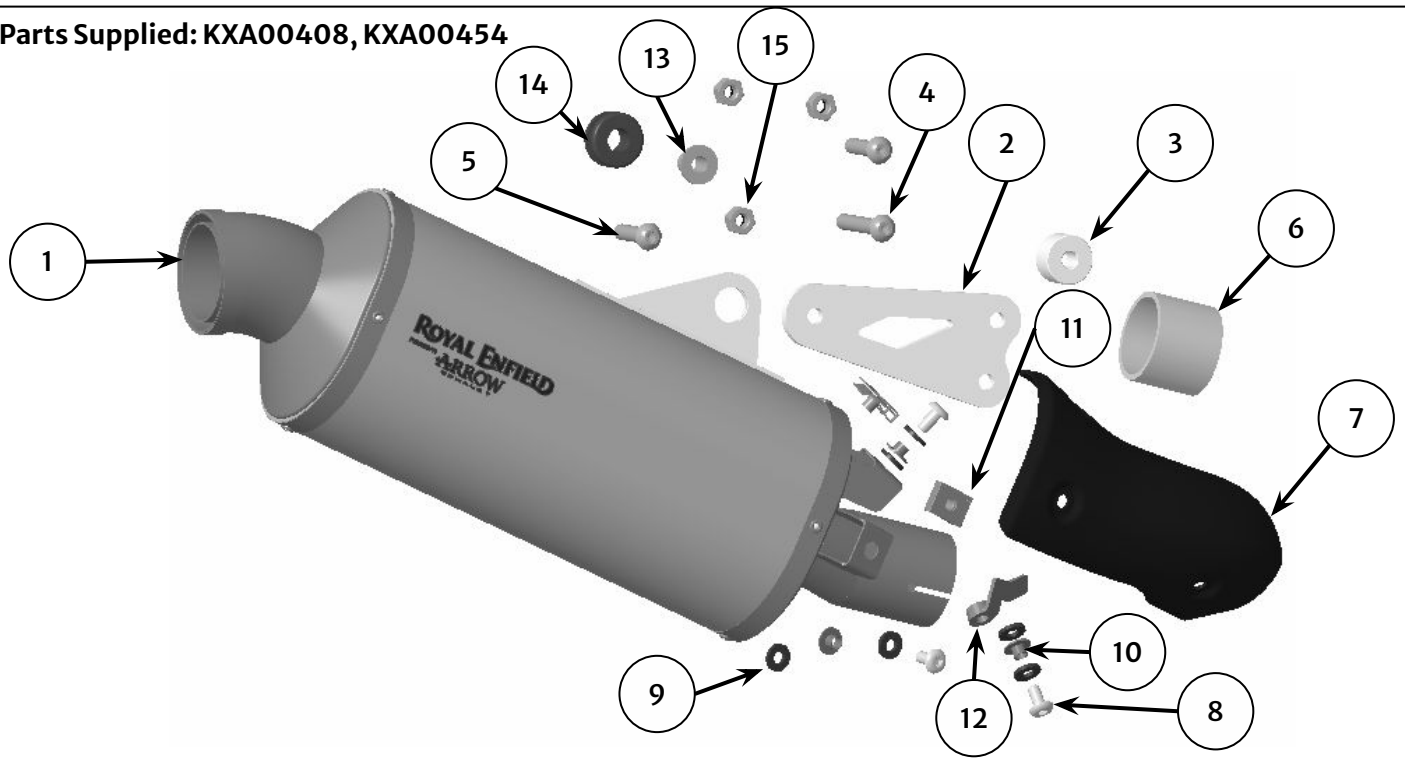
 **WARNING:** Before starting any accessory kit installation ensure the motorcycle is supported in a stable condition. Failure to support the motorcycle correctly could lead to motorcycle damage or personal injury.

 **WARNING:** All fixings must be tightened to the torque values specified in this instruction. Failure to tighten fixings to the correct torque could result in an unsafe riding condition and possible accident

 **CAUTION:** Care should be taken when fitting any accessory kit. Incorrect handling of kit components or the use of incorrect tools could lead to component or motorcycle damage.

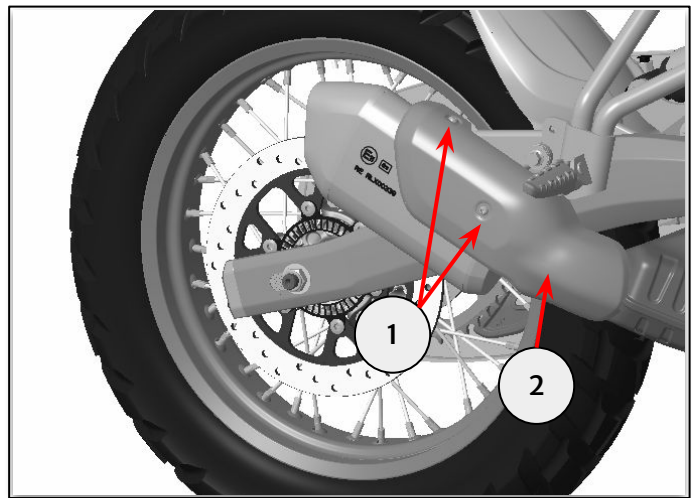
NOTE: The content of this instruction is subject to change at any time without notice or liability. Royal Enfield reserves the right to revise the information presented at any time.

Parts Supplied: KXA00408, KXA00454



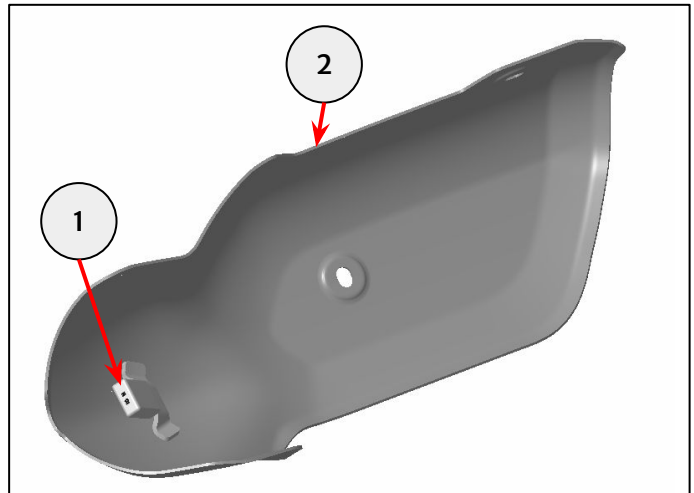
Item	Description	Qty
1	Silencer	1
2	Top mount bracket	1
3	Ø25mm spacer	1
4	M8 x 50mm fixing	1
5	M8 x 35mm fixing	2
6	Gasket	1
7	Heatshield	1
8	M6 x 12 fixing	3
9	M6 washer	6
10	Small top hat spacer	3
11	M6 clip nut	2
12	Front mount	1
13	Large top hat spacer	1
14	Grommet	1
15	M8 nut	3

1 Remove the two fixings (1) and slide the heatshield (2) rearwards to remove.

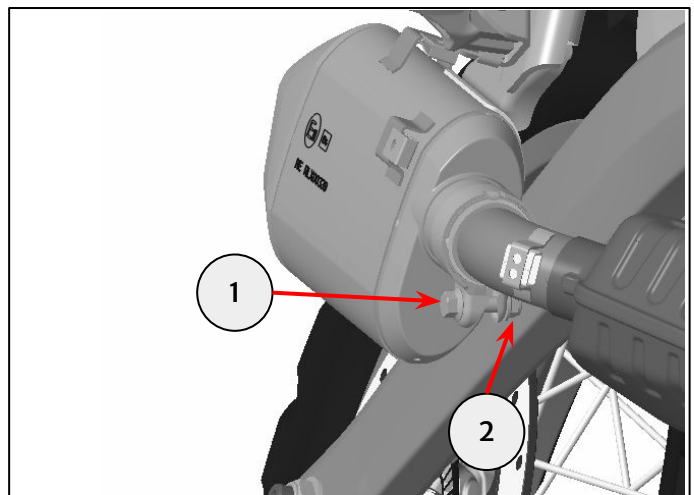


4mm hexagonal bit and ratchet

2 Retain the rubber bung (1) for reuse. Retain the heatshield (2) for reuse if the motorcycle is to be returned to its original condition.

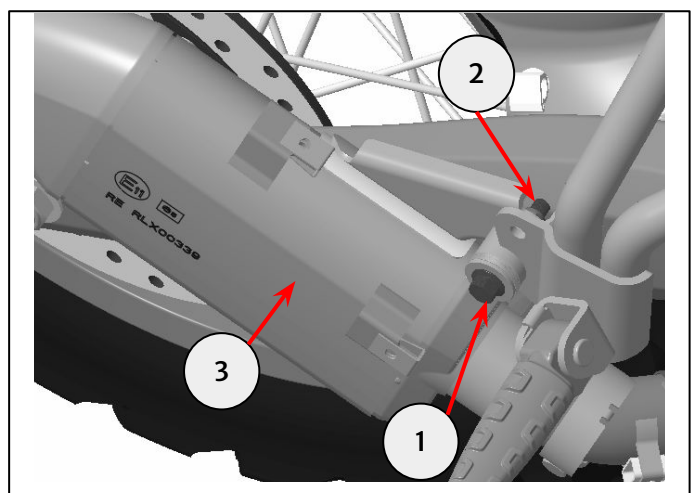


3 Loosen the clamp fixing (1) until it can be rotated. Do not fully remove the fixing (1) or nut (2).



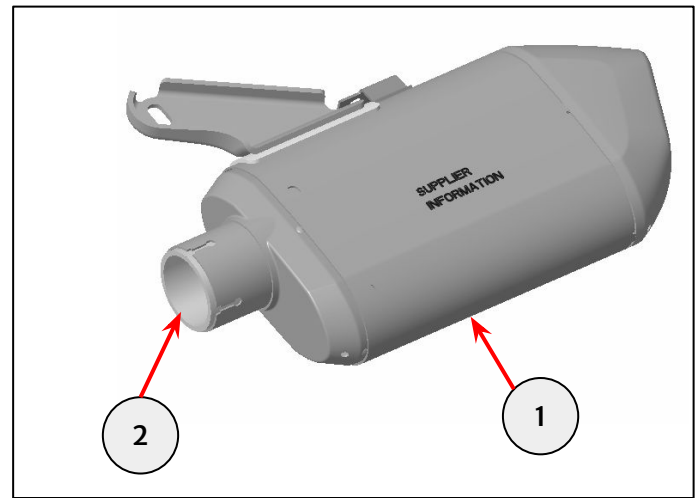
12mm spanner
12mm socket and ratchet

4 Loosen the fixing (1) and remove the nut (2). Supporting the weight of the silencer (3), remove the fixing (1) and slide the silencer rearwards to remove.



12mm spanner
12mm socket and ratchet

5 Retain the silencer (1) for reuse if the motorcycle is to be returned to its original condition. If damaged, the gasket (2) must be replaced. Obtain part 576065 from a genuine Royal Enfield Spares distributor.

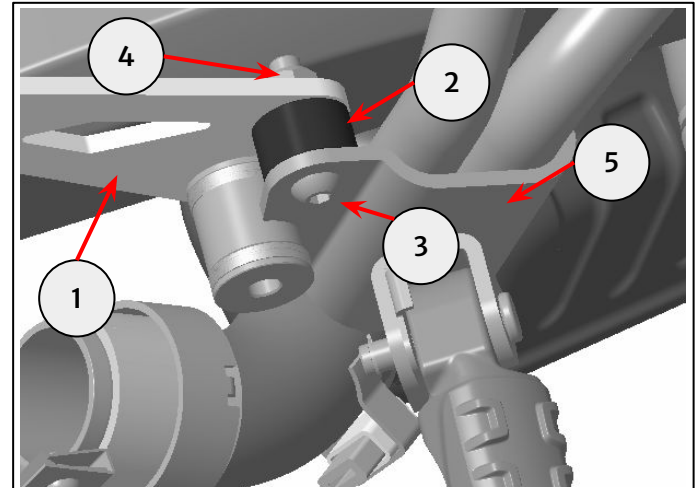


6 Fit the top mount bracket (1), Ø25mm spacer (2), M8 x 35mm fixing (3) and a nut (4) from the kit through the top mount hole on the right side pillion footrest plate (5).

Do not fully tighten at this stage.



5mm hexagonal bit and ratchet
13mm spanner

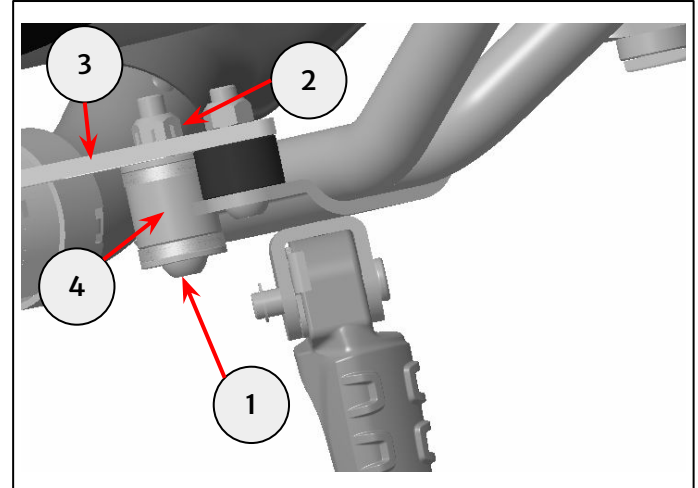


7 Fit the M8 x 50mm fixing (1) and nut (2) from the kit through the bottom hole in the top mount bracket (3) and through the silencer mount (4).

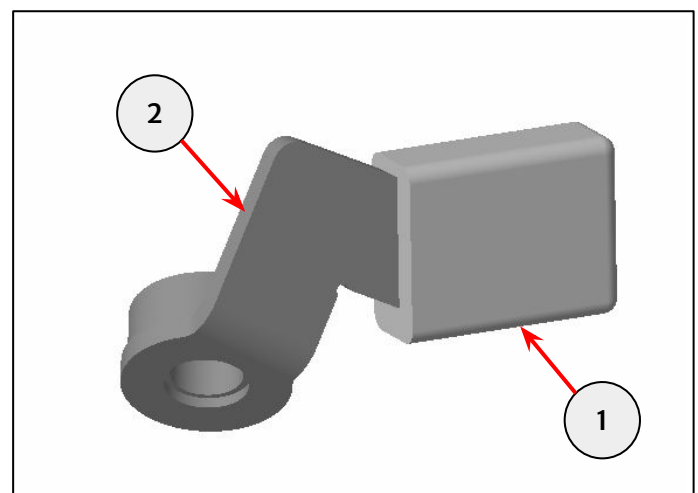
Do not fully tighten at this stage.



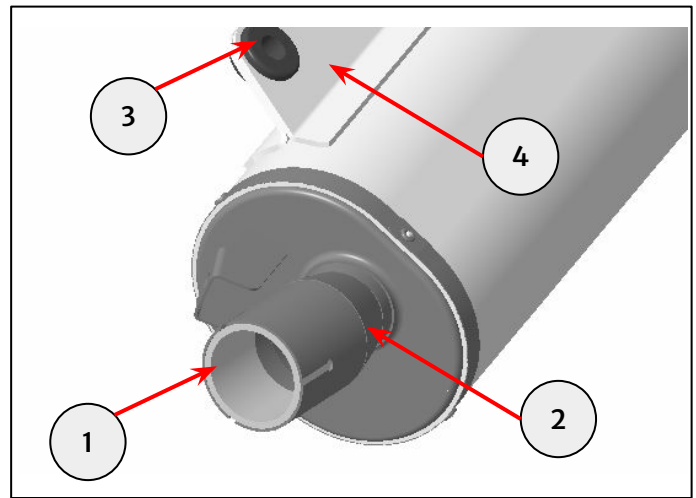
5mm hexagonal bit and ratchet
13mm spanner



8 Fit the rubber bung (1) removed in step 2 to the front mount (2) from the kit.

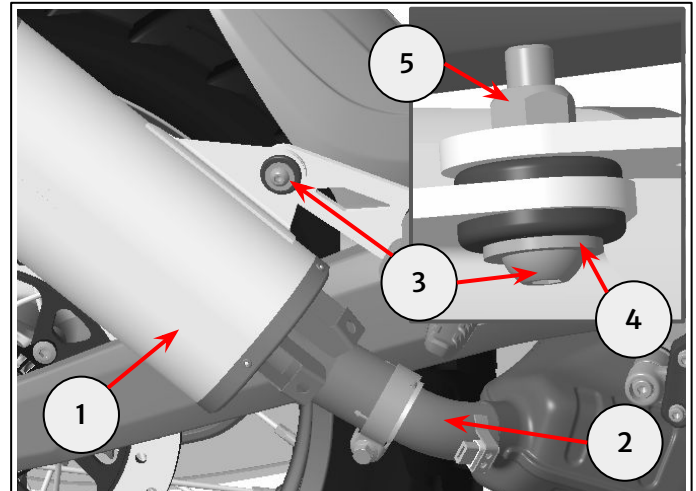


9 Fit the gasket (1) into the new silencer (2). Fit the grommet (3) to the silencer (4) mount.



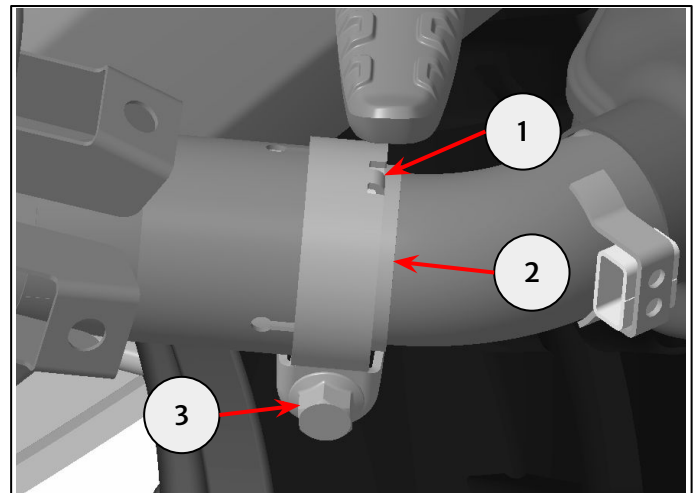
10 Assemble the silencer (1) to the exhaust system (2), taking care not to damage the gasket. Once aligned, fit a M8 x 35mm fixing (3), large top hat spacer (4) and nut (5) from the kit.

Do not full tighten at this stage.



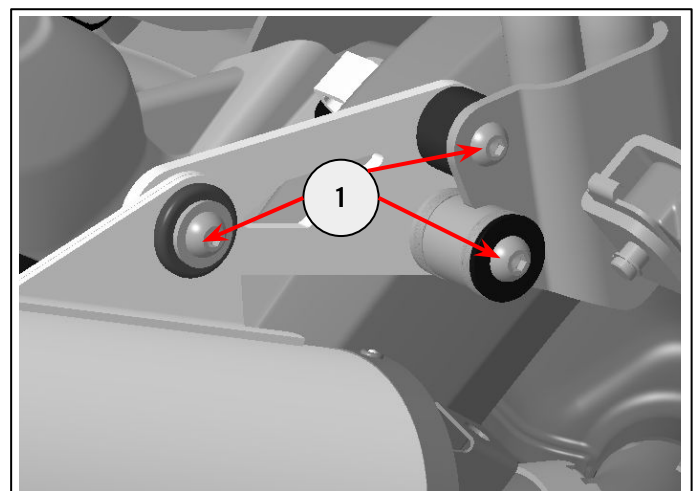
5mm hexagonal bit and ratchet
13mm spanner

11 Align the clamp tab (1) with the silencer end. With the clamp fixing (3) at the bottom as shown, tighten to 22Nm

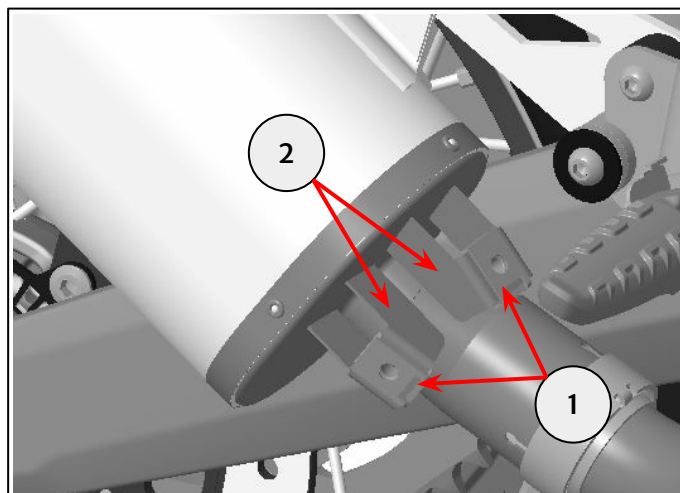


12mm spanner
12mm socket and torque wrench

12 Tighten the three upper mount fixings (1) to 25Nm.



13 Fit the clip nuts (1) to the silencer mounts (2).

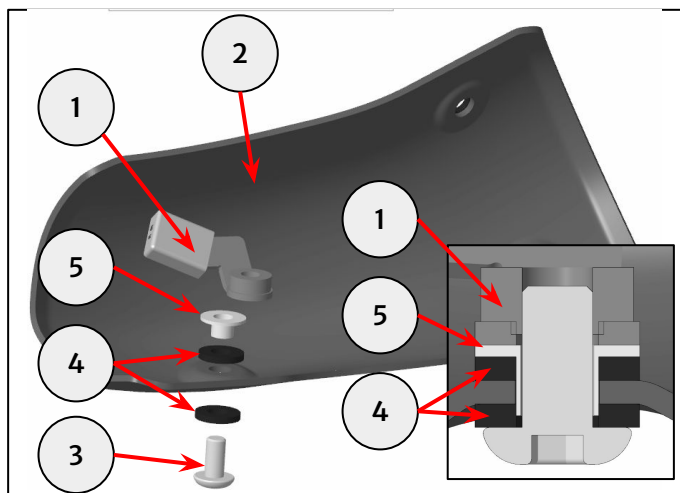


14 Assemble the front mount (1) to the heat shield (2) using a M6 x 12mm fixing (3). Place a M6 washer (4) either side of the heatshield and a small top hat spacer (5) through the inner washer as shown.

Do not fully tighten at this stage.

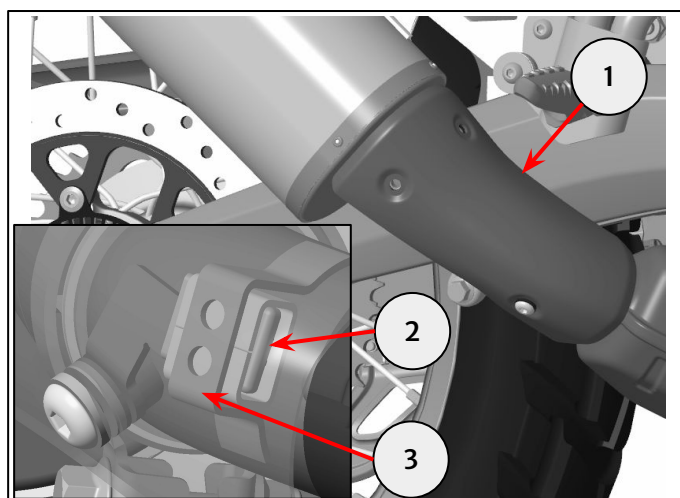


4mm hexagonal bit and ratchet



15 Mount the heatshield (1) to the bike, sliding the front mount (2) into the slot (3).

Note: Heatshield hidden from image for clarity.

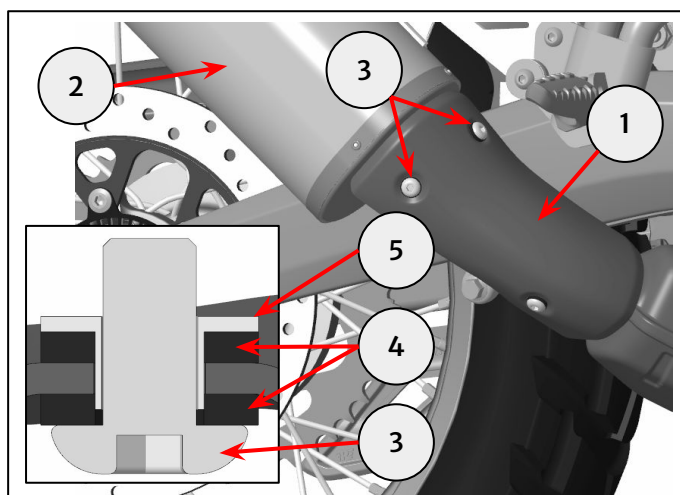


16 Assemble the heat shield (1) to the silencer (2) using a M6 x 12mm fixing (3). Place a M6 washer either side of the heatshield (4) and a small top hat spacer (5) through the inner washer as shown.

Tighten the three fixings to 8Nm.



4mm hexagonal bit and torque wrench



17 Clean the silencer as per the washing procedure in the Owner's Manual.

NOTE: Silencer internal wadding material durability changes depending on the use of the exhaust system. If maintenance of internal wadding material is required, contact your local Arrow dealer or distributor.



WARNING: After fitting any genuine Royal Enfield accessory always ride the motorcycle with caution and allow time to become familiar with any change in the motorcycle handling characteristics. Failure to become familiar with any change in the motorcycle handling characteristics may cause the motorcycle to become unstable and result in an accident.

ROYAL ENFIELD

(EN) HOMOLOGATION CERTIFICATE

This document certifies that this exhaust kit complies in full with the road approval regulation stated below:

(DE) HOMOLOGATIONSBESCHEINIGUNG

Dieses Dokument bescheinigt, dass dieser Auspuff die gesetzlichen Vorschriften für den Straßenverkehr in allen folgenden Märkten vollständig erfüllt:

(ES) CERTIFICADO DE HOMOLOGACION

Este documento certifica que este kit de escape cumple con la siguiente normativa:

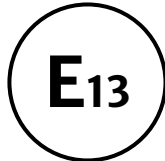
(FR) CERTIFICAT D'HOMOLOGATION

Ce document certifie que kit échappement respecte les normes en vigueur pour une utilisation sur route:

(IT) CERTIFICATO DI OMOLOGAZIONE

Questo documento certifica che questo sistema di scarico è in tutto conforme con l'omologazione citata sotto:

Royal Enfield Himalayan (452cc) Models

<p>United Nations Regulation ECE 92-02 Uniform Provisions Concerning the Approval of: Motorcycles with Regard to Noise</p>	<p> 92R-02.15016</p>
--	---



WARNING: After fitting any genuine Royal Enfield accessory always ride the motorcycle with caution and allow time to become familiar with any change in the motorcycle handling characteristics. Failure to become familiar with any change in the motorcycle handling characteristics may cause the motorcycle to become unstable and result in an accident.

ROYAL ENFIELD

(EN) This exhaust kit can be fitted to the vehicles listed below:

(DE) Dieser Auspuff kann an den unten aufgelisteten Fahrzeugen montiert werden:

(ES) Este kit de escape puede ser instalado en los siguientes vehículos:

(FR) Ce kit peut être monté sur être monté sur les motos suivantes:

(IT) Questo Sistema di scarico può essere montato sui veicoli elencati sotto:

(EN) Kit Number(s) (DE) Kit- Nummer(n) (ES) Referencia del Kit (FR) Référence du kit (IT) Codice kit	(EN) Silencer Number(s) (DE) Schalldämpfer- Nummer(n) (ES) Referencia del Silencioso (FR) Référence de l' échappement (IT) Codice Silenziatore	(EN) Vehicle Commercial Name (DE) Motorrad- Verkaufsbezeichnung (ES) Nombre Comercial del Vehículo (FR) Nom commercial du véhicule (IT) Nome commerciale del veicolo	(EN) Vehicle Approval Number (DE) Fahrzeug- Typgenehmigungs- nr (ES) Contraseña de Homologación del vehículo (FR) Numéro de réception du véhicule (IT) Numero omologazione
KXA00408 KXA00454	RXE00293 RXE00301	Royal Enfield Himalayan (452cc)	e5*168/2013*00084

(EN) The installation of this exhaust kit does not affect the performance of the original equipment catalytic converter which remains unchanged.

(DE) Der Einbau dieser Auspuffanlage beeinflusst nicht die Wirkungsweise, Leistung und Funktion des Original-Katalysators, der nicht verändert wird und unberührt bleibt.

(ES) La instalación de este kit de escape no afecta a las prestaciones del equipo catalizador original el cual permanece invariable y sin modificación alguna.

(FR) Le montage de ce kit n'affecte pas les performances du pot catalytique d'origine qui est resté inchangé.

(IT) L'installazione di questo sistema di scarico non influisce sulle prestazioni del convertitore catalitico montato in origine che rimane inalterato.



WARNING: After fitting any genuine Royal Enfield accessory always ride the motorcycle with caution and allow time to become familiar with any change in the motorcycle handling characteristics. Failure to become familiar with any change in the motorcycle handling characteristics may cause the motorcycle to become unstable and result in an accident.