




Part Number:
KXA00479
KXA00491

Models:
Guerrilla 450

 **WARNING:** Royal Enfield genuine accessories are designed to fit only the specific Royal Enfield motorcycle(s) that are specified above. They should not be fitted to any other type of motorcycle. Pay particular attention to the warnings and cautions contained in this instruction, failure to do so may result in an incorrect installation of the accessory which could result in an unsafe riding condition and possible accident. If in any doubt always seek help from your authorised Royal Enfield dealer.

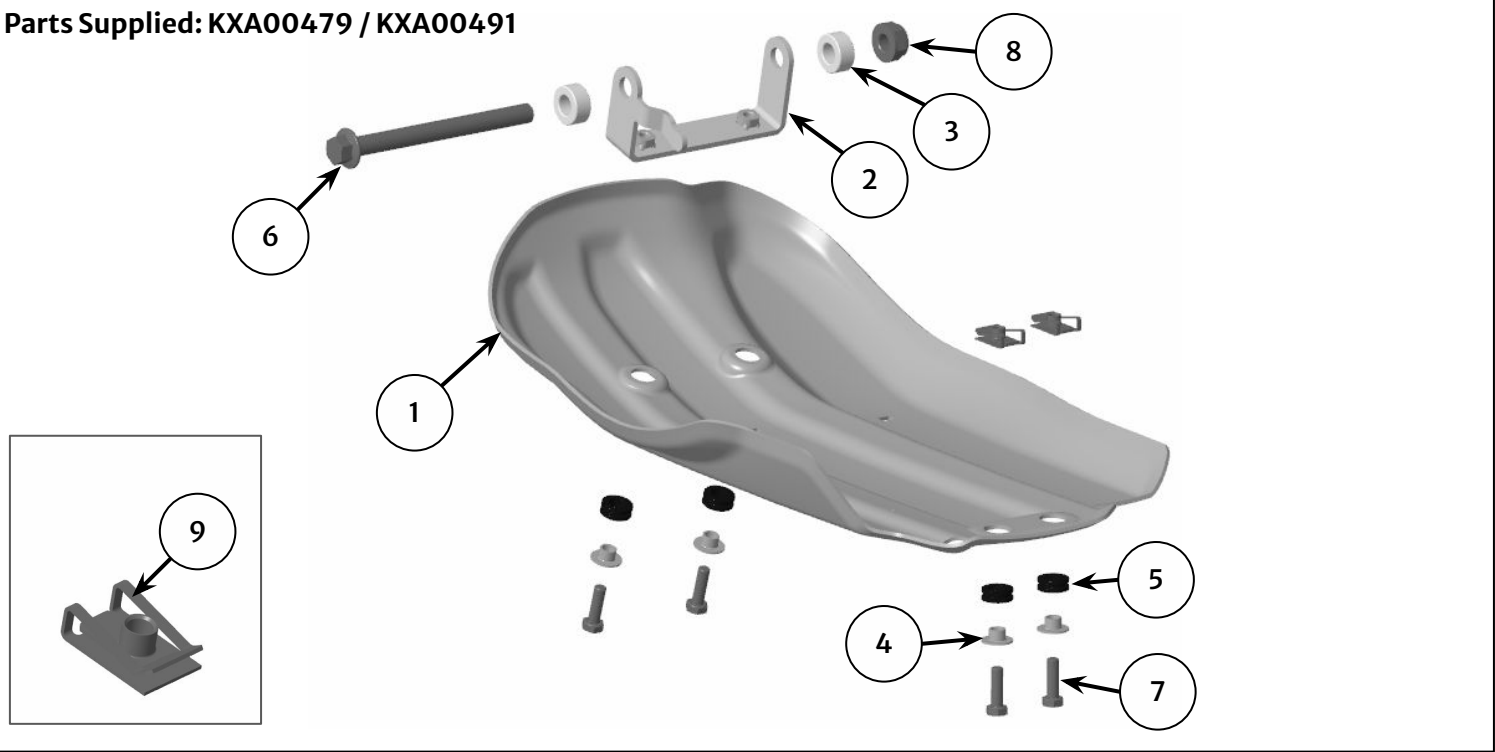
 **WARNING:** Before starting any accessory kit installation ensure the motorcycle is supported in a stable condition. Failure to support the motorcycle correctly could lead to motorcycle damage or personal injury.

 **WARNING:** All fixings must be tightened to the torque values specified in this instruction. Failure to tighten fixings to the correct torque could result in an unsafe riding condition and possible accident

 **CAUTION:** Care should be taken when fitting any accessory kit. Incorrect handling of kit components or the use of incorrect tools could lead to component or motorcycle damage.

NOTE: The content of this instruction is subject to change at any time without notice or liability. Royal Enfield reserves the right to revise the information presented at any time.

Parts Supplied: KXA00479 / KXA00491




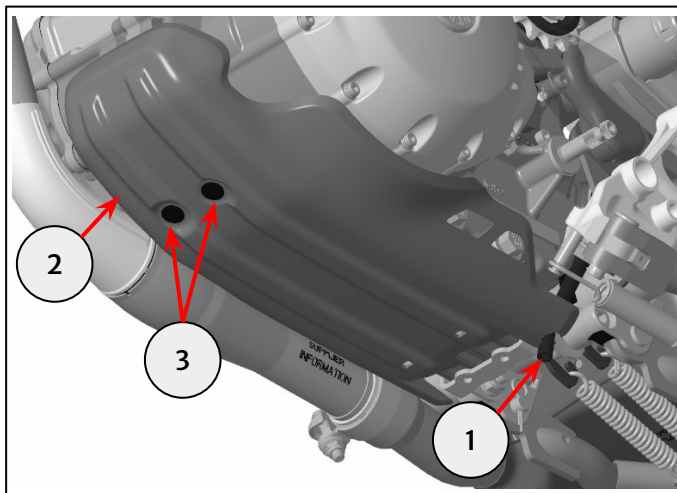
Item	Description	Qty
1	Sump guard	1
2	Mounting bracket	1
3	Spacer, 9mm	2
4	Flanged sleeve	4
5	Rubber grommet	4
6	Fixing, M10 x 110mm	1
7	Fixing, M6 x 20mm	4
8	Nut, M10	1
9	Clip nut, M6	2

1 Place the motorcycle on the centre stand as per the Owner's Manual and allow to cool before commencing accessory fitment.

2 Unclip the fuel tank drain hose (1) from the rear left side of the original sump guard (2) and undo the two fixings (3) securing the sump guard.


Retain the fixings and sump guard for reuse.

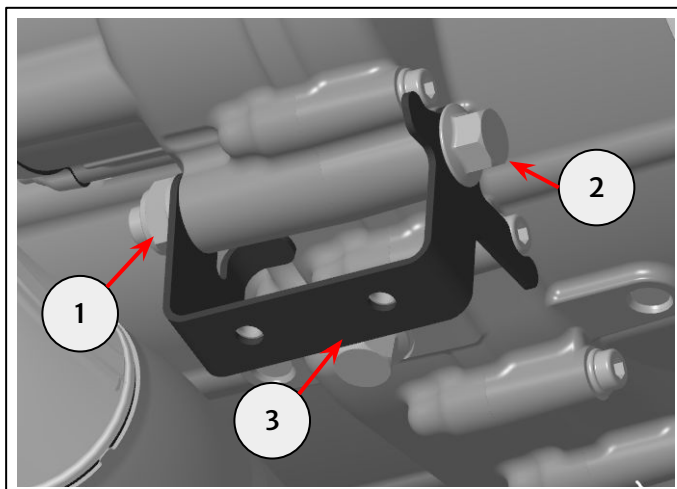
	5mm hexagonal bit and ratchet
--	-------------------------------



3 Remove the nut (1) and fixing (2) securing the front sump guard bracket (3). Remove the bracket and retain for reuse.

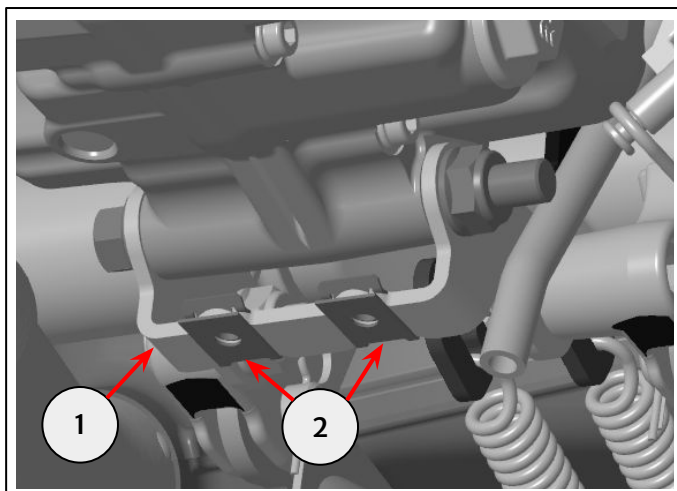
Retain the fixings for reuse if the motorcycle is to be returned to its original condition.

	14mm socket and ratchet 17mm spanner
--	---



4 Collect the clip nuts (1) from the kit and fit to the rear mounting bracket in the engine casing as shown.


Note: For fitment without Engine Guards go to step 5.
For fitment with Engine Guards go to step 6.

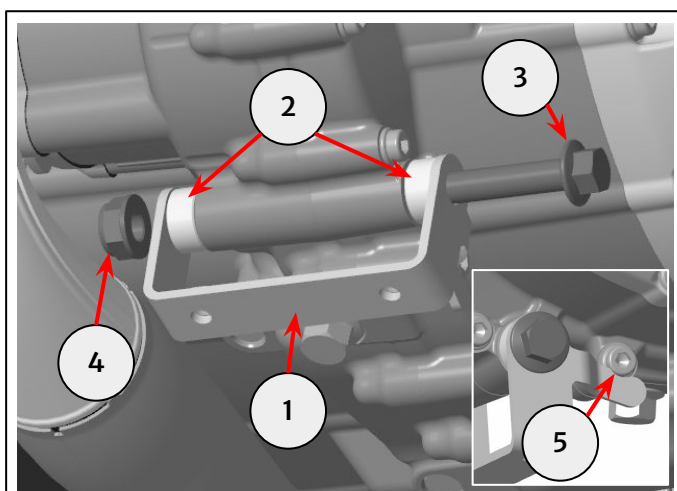


5 Collect the front mounting bracket (1), two 9mm spacers (2) and assemble to the front mounting bracket as shown using an M10 x 110mm fixing (3) and M10 nut (4) from the kit.

Align the mounting bracket locating feature with the fixing head within the engine casing (5).

Tighten the fixing to 45Nm. Go to step 7.

	14mm hexagonal socket and torque wrench 17mm spanner
--	---



6 Collect the front mounting bracket (1), two 9mm spacer (2) and assemble to the front mount point in the engine casing as shown using an M10 nut (4) from the kit and M10 x 120mm fixing (3) from the engine guard kit. The fixing should pass through the left hand engine guard (5) and the right hand engine guard (6) as shown.

Align the mounting bracket locating feature with the fixing head within the engine casing (7).

Tighten fixing to **45Nm**.



14mm hexagonal socket and torque wrench
17mm spanner

7 Undo the fixing (1) securing the header pipe clamp (2). Do not completely remove the fixing.

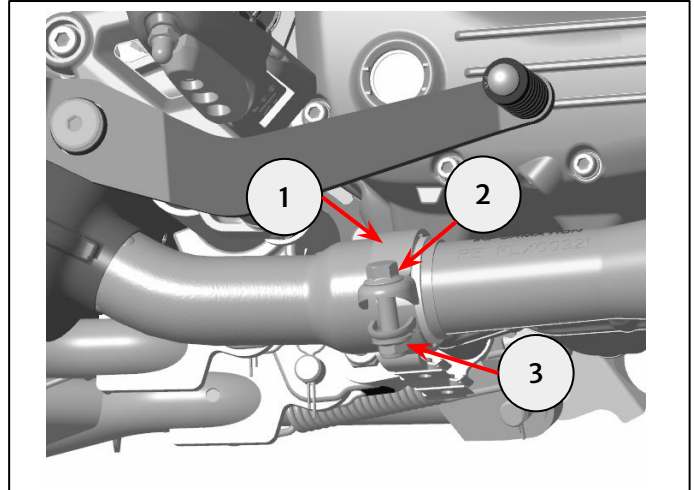
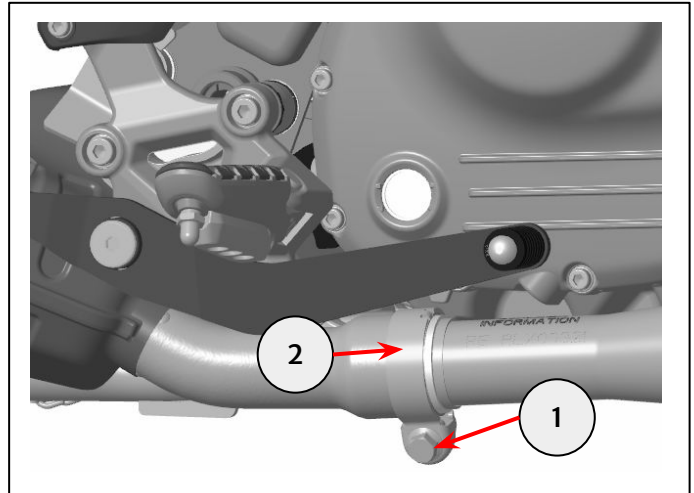
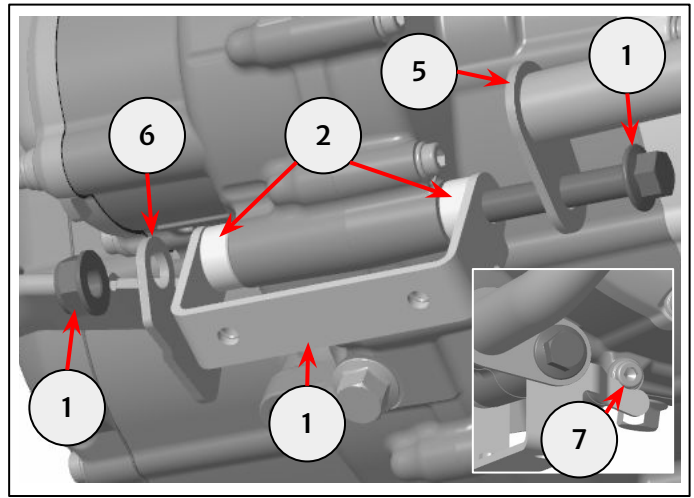


12mm socket and ratchet
12mm spanner

8 Rotate the header pipe clamp (1) 90° as shown and tighten the fixing (2) and nut (3) to **32Nm**.

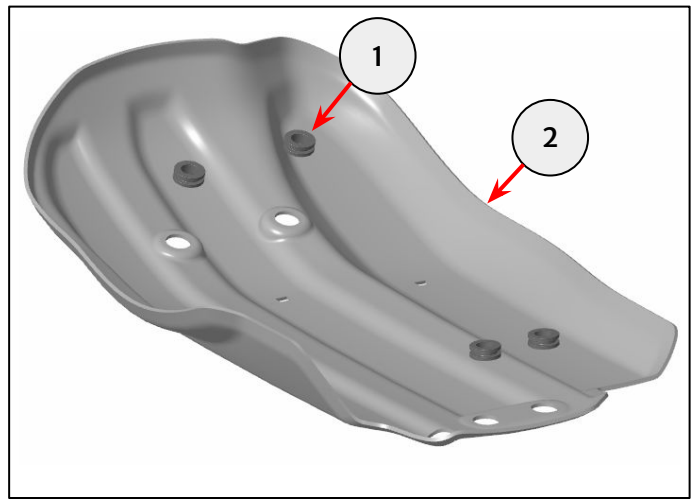


12mm socket and torque wrench
12mm spanner



WARNING: After fitting any genuine Royal Enfield accessory always ride the motorcycle with caution and allow time to become familiar with any change in the motorcycle handling characteristics. Failure to become familiar with any change in the motorcycle handling characteristics may cause the motorcycle to become unstable and result in an accident.

9 Collect the four rubber grommets (1) from the kit and assemble to the sump guard mount holes (2), as shown.

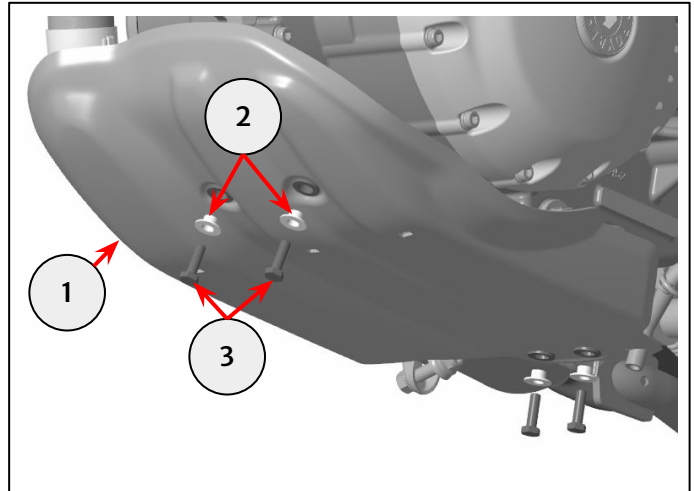


10 Assemble the sump guard (1) to the front and rear mounting brackets using the four flanged sleeve (2) and M6 x 20mm fixings (3) from the kit.

Tighten to **8Nm**.



4mm hexagonal bit and torque wrench



WARNING: After fitting any genuine Royal Enfield accessory always ride the motorcycle with caution and allow time to become familiar with any change in the motorcycle handling characteristics. Failure to become familiar with any change in the motorcycle handling characteristics may cause the motorcycle to become unstable and result in an accident.