

Part Number:

1990811

Models :


Thunderbird X 350cc

Thunderbird X 500cc

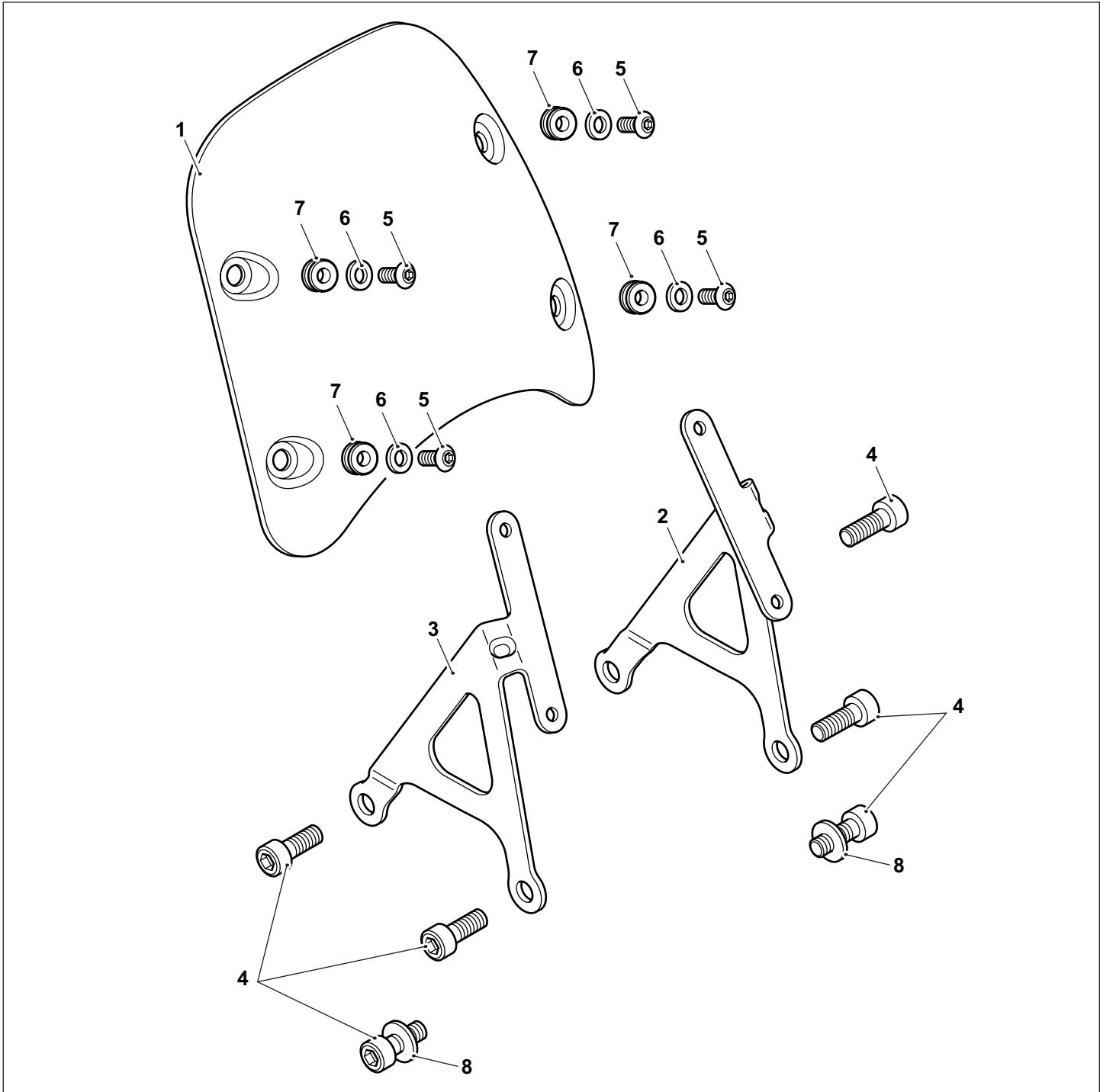
 **WARNING:** Royal Enfield genuine accessories are designed to fit only the specific Royal Enfield motorcycle(s) that are specified above. They should not be fitted to any other type of motorcycle. Pay particular attention to the warnings and cautions contained in this instruction, failure to do so may result in an incorrect installation of the accessory which could result in an unsafe riding condition and possible accident. If in any doubt always seek the help from your authorised Royal Enfield dealer.

 **WARNING:** Before starting any accessory kit installation ensure the motorcycle is supported in a stable condition. Failure to support the motorcycle correctly could lead to motorcycle damage or personal injury.

 **WARNING:** All fixings must be tightened to the torque values specified in this instruction. Failure to tighten fixings to the correct torque could result in an unsafe riding condition and possible accident.

 **CAUTION:** Care should be taken when fitting any accessory kit. Incorrect handling kit components or the use of incorrect tools could lead to component or motorcycle damage.

NOTE: The content of this instruction is subject to change at any time without notice or liability. Royal Enfield reserves the right to revise the information presented at any time.



Item	Description	Qty
1	Flyscreen	1
2	Mounting bracket, Left hand	1
3	Mounting bracket, right hand	1
4	Fixing, M8 x 25mm	6
5	Fixing, M5 x 12mm	4
6	Washer M5	4
7	Grommet	4
8	Spacer	2

1 Disconnect the battery, negative lead first.

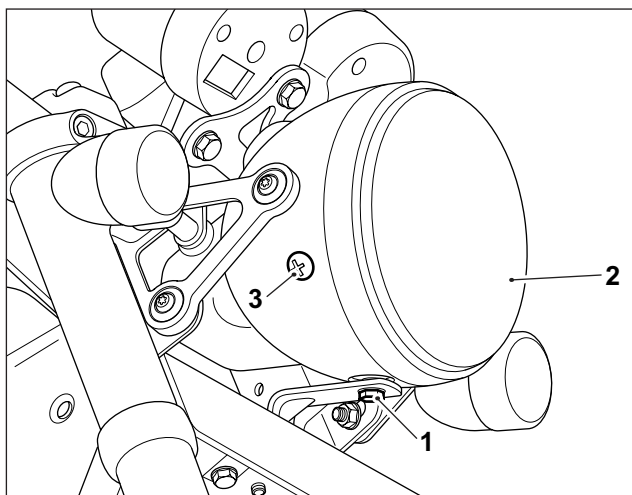
2 Remove the fixing (1) from the underside of the headlight (2). Remove the fixings (3) from the left hand and right hand side of the headlight bowl. Retain all fixings for reuse.



13mm Bi-hexagonal socket with ratchet
Cross head screwdriver

3 Detach the headlight assembly from the headlight bowl.

NOTE: Support the headlight assembly ensuring it is not allowed to hang from the wiring harness.



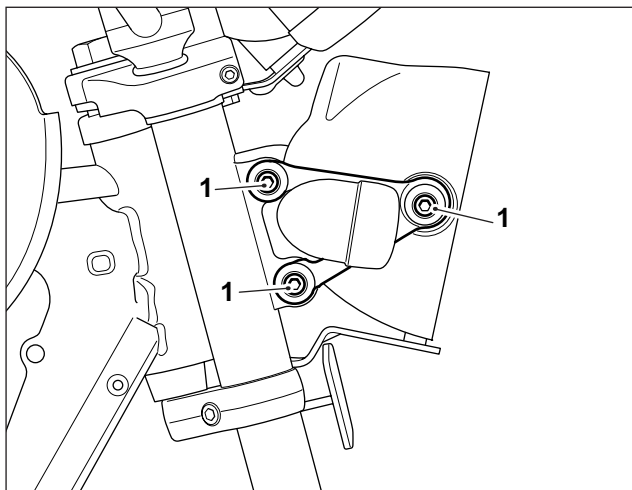
4 Remove the three headlight mounting bracket fixings (1) on the right hand side only. Retain the nut from the front fixing for reuse. Retain the fixings for reuse if the flyscreen is removed.



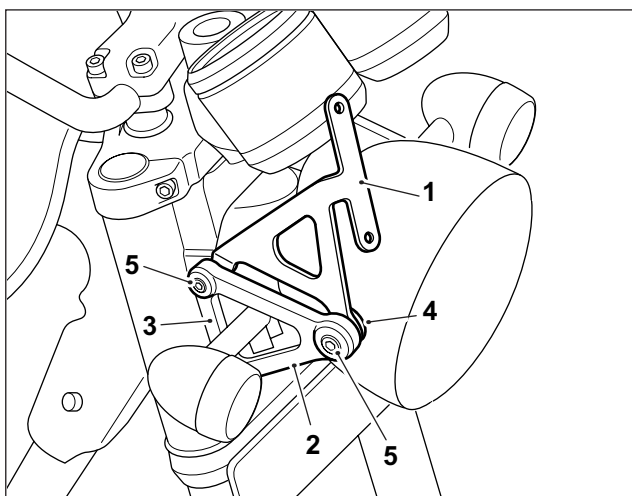
CAUTION: Remove only the right hand side headlight mounting bracket fixings (1). Do not remove, or loosen, the left hand side headlight mounting bracket fixings at this stage to ensure the factory headlight beam alignment is maintained. If you suspect the factory headlight beam alignment has been compromised during the flyscreen installation please contact your local dealer.



13mm Bi-hexagonal socket with ratchet
6mm Allen socket with ratchet



5 Position the right hand flyscreen mounting bracket (1) from the kit between the headlight mounting bracket mounting (2), fork leg mounting (3) and headlight bowl spacer (4) in the orientation shown. Align the flyscreen mounting bracket fixing positions and fit two M8 x 25mm fixings (5) from the kit and refit the original nut to the front fixing on the inside of the headlight bowl. The fixings should be finger tightened only at this stage.

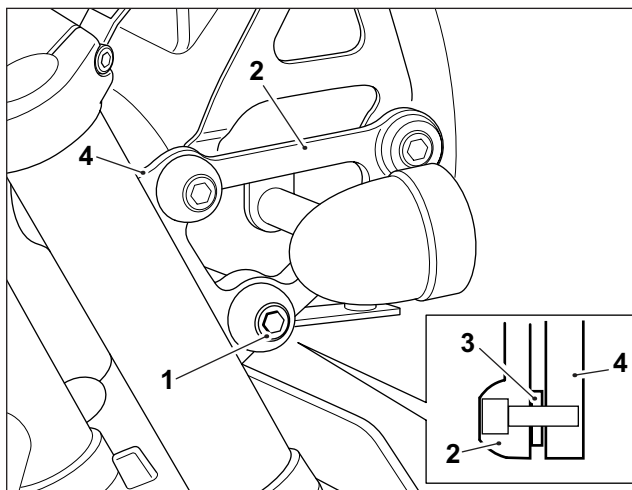


6 Fit an M8 x 25mm fixing (1) from the kit to the headlight mounting bracket (2) lower fixing position with a spacer (3) from the kit located between the headlight mounting bracket (2) and the fork leg mounting (4), as shown. Tighten the three headlight mounting fixings to **20 Nm**.




13mm Bi-hexagonal socket with ratchet
6mm Allen socket with torque wrench

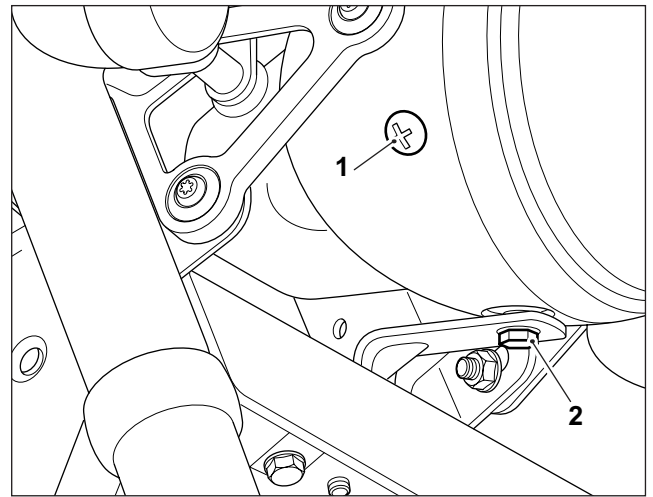
7 Repeat steps 4 to 6 for the left hand side of the motorcycle.




8 Refit the headlight assembly to the headlight bowl.

9 Refit the headlight side fixings (1), right hand side shown and tighten to **3 Nm**.

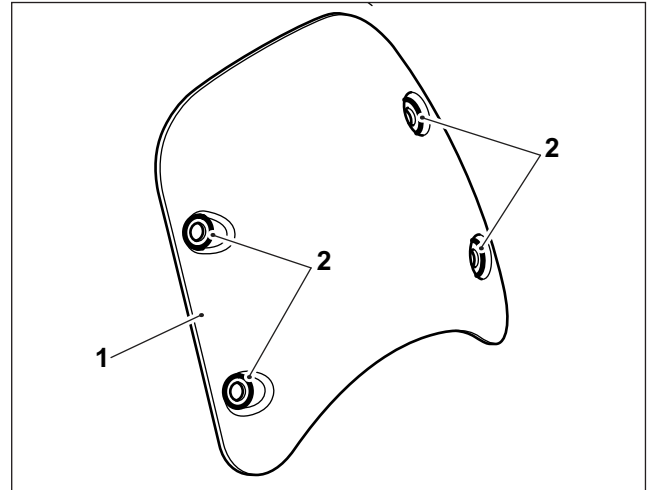
	Cross head screwdriver bit with torque wrench
---	---




10 Refit the headlight lower fixing (2) and tighten to **20 Nm**.

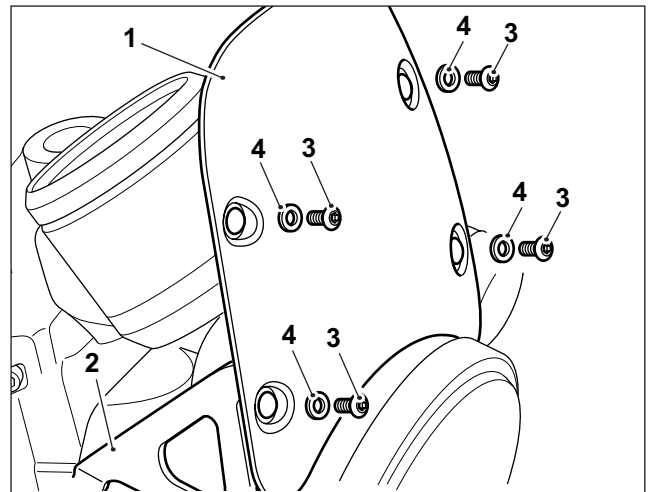
	13mm Bi-hexagonal socket with torque wrench
---	---

11 Fit the four grommets (1) from the kit into the flyscreen (2).



12 Align the flyscreen (1) fixing positions with the left hand and right hand mounting brackets, right hand side (2) shown. Fit the M5 x 12mm fixings (3) and washers (4) from the kit. Tighten the fixings to **2.5 Nm**.

	3mm Allen socket with torque wrench
---	-------------------------------------



13 Reconnect the battery, positive lead first.

 **WARNING: Do not attempt to clean the Flyscreen while riding the motorcycle. Any attempt to clean the Flyscreen while riding the motorcycle may cause the motorcycle to become unstable and result in an accident.**

 **WARNING: After fitting any genuine Royal Enfield accessory always ride the motorcycle with caution and allow time to become familiar with any change in the motorcycle handling characteristics. Failure to become familiar with any change in the motorcycle handling characteristics may cause the motorcycle to become unstable and result in an accident.**