

Part Number:

KXA00086 and KXA00088
KXA00086 and KXA00102

Models :

Meteor 350cc MY20 onwards

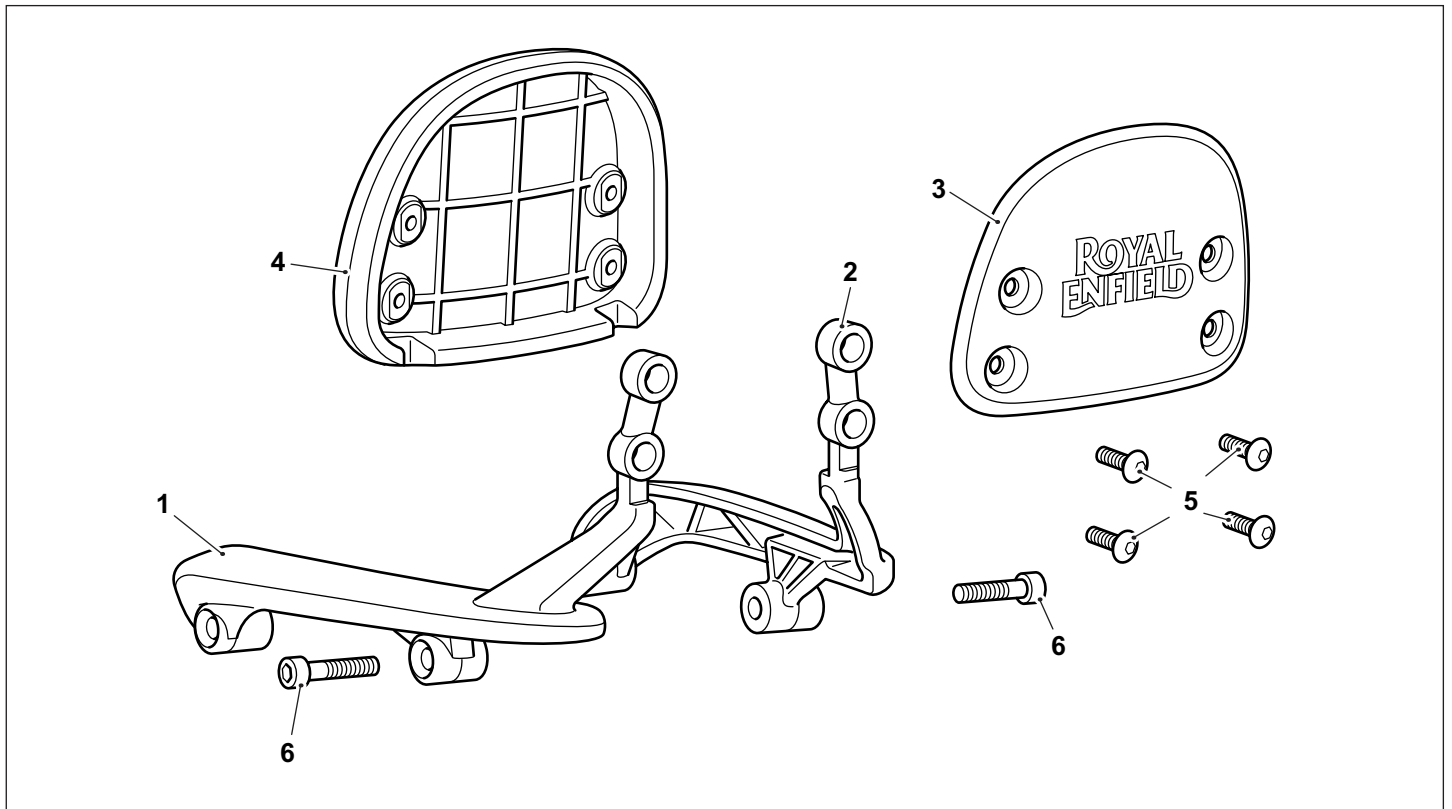
WARNING: Royal Enfield genuine accessories are designed to fit only the specific Royal Enfield motorcycle(s) that are specified above. They should not be fitted to any other type of motorcycle. Pay particular attention to the warnings and cautions contained in this instruction, failure to do so may result in an incorrect installation of the accessory which could result in an unsafe riding condition and possible accident. If in any doubt always seek the help from your authorised Royal Enfield dealer.

WARNING: Before starting any accessory kit installation ensure the motorcycle is supported in a stable condition. Failure to support the motorcycle correctly could lead to motorcycle damage or personal injury.

WARNING: All fixings must be tightened to the torque values specified in this instruction. Failure to tighten fixings to the correct torque could result in an unsafe riding condition and possible accident.

CAUTION: Care should be taken when fitting any accessory kit. Incorrect handling kit components or the use of incorrect tools could lead to component or motorcycle damage.

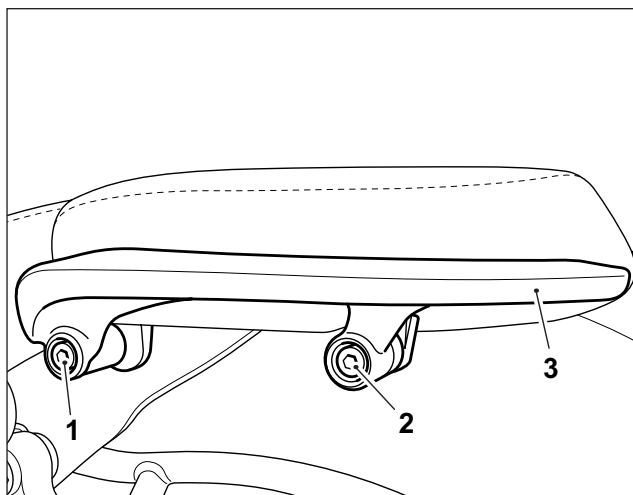
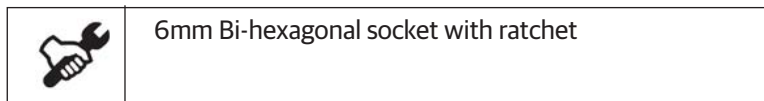
NOTE: The content of this instruction is subject to change at any time without notice or liability. Royal Enfield reserves the right to revise the information presented at any time.



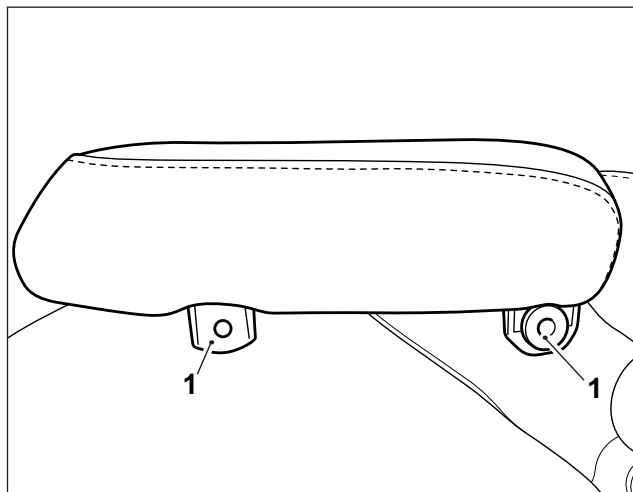
Item	Description	Qty
1	Grab rail, left hand	1
2	Grab rail, right hand	1
3	Backrest plate	1
4	Backrest pad	1
5	Fixing, M8 x 25 mm (button head)	4
6	Fixing, M8 x 40 mm (socket head thread lock)	2

1 Remove the left hand grab rail fixings (1 & 2). Retain the front fixing (1) for reuse, but discard the rear fixing (2). Retain the grab rail (3) for reuse if the accessory backrest kit is removed.

Repeat for the right hand grab rail.

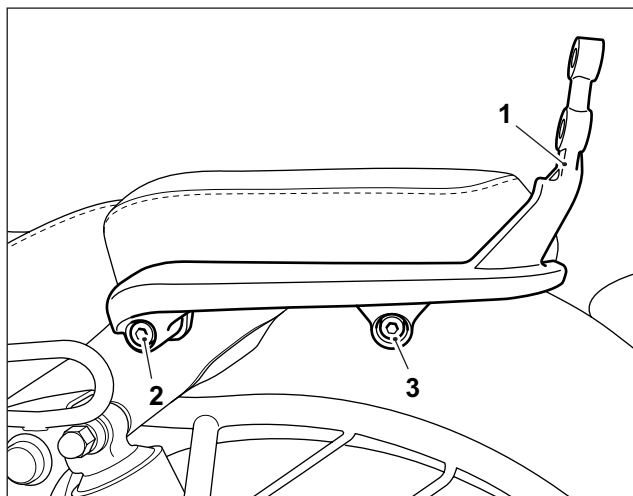
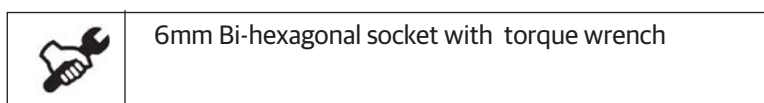


2 Ensure the passenger seat mountings (1) are correctly aligned with the subframe on both side of the motorcycle before starting the backrest kit installation. Right hand side shown.

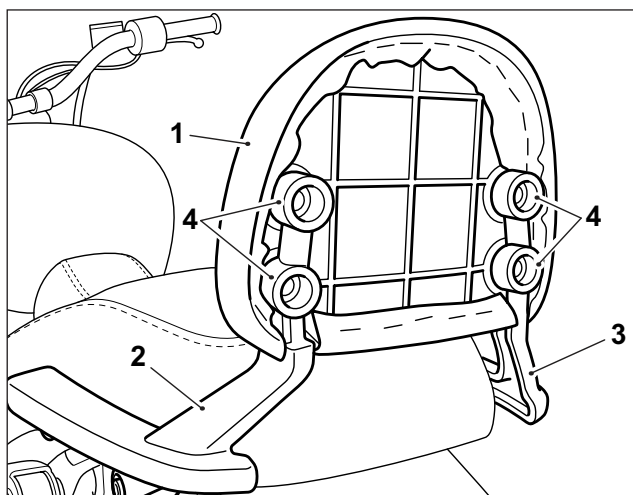


3 Position the left hand grab rail (1) from the kit on to the passenger seat mountings. Fit one of the original fixings (2) to the front fixing position and a new M8 x 40mm cap head fixing (3) from the kit to the rear fixing position. Tighten the fixings to **25 Nm**.

Repeat for the right hand grab rail.




4 Position the backrest pad (1) on to the left hand (2) and right hand (3) grab rails with the backrest pad towards the front of the motorcycle and aligned with the four grab rail mounting bosses (4), as shown.

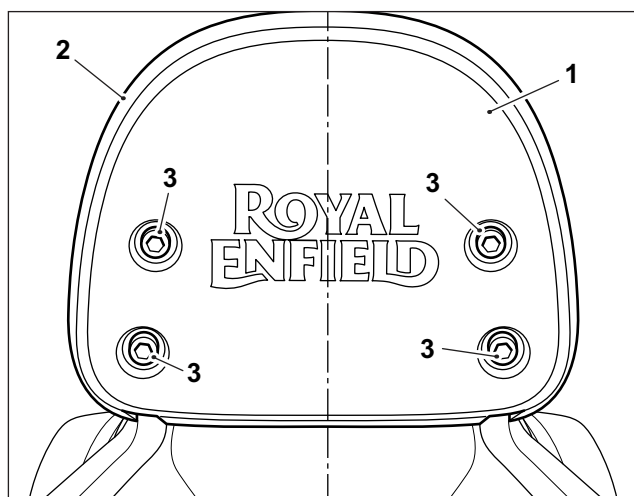


5 Position the backrest backplate (1) on to the rear of the backrest pad (2) aligning the four fixing positions. Loosely fit the four M8 x 25mm button head fixings (3) from the kit.

6 Ensure the backrest pad (1) is aligned centrally on the motorcycle.

7 Tighten the four backrest pad fixings (3) to **12 Nm**.

	5mm Bi-hexagonal socket with torque wrench
---	--



⚠ WARNING: After fitting any genuine Royal Enfield accessory always ride the motorcycle with caution and allow time to become familiar with any change in the motorcycle handling characteristics. Failure to become familiar with any change in the motorcycle handling characteristics may cause the motorcycle to become unstable and result in an accident.