

**Part Number:**

1990608 (Clear, India & Europe)  
1990609 (Tinted, India & Europe)  
1990656 (Clear, USA)  
1990657 (Tinted, USA)

**Models :**

Classic 350cc, Classic 500cc,  
Bullet 350cc, Bullet 500cc,  
Electra 350cc,  
Thunderbird 350cc, Thunderbird 500cc

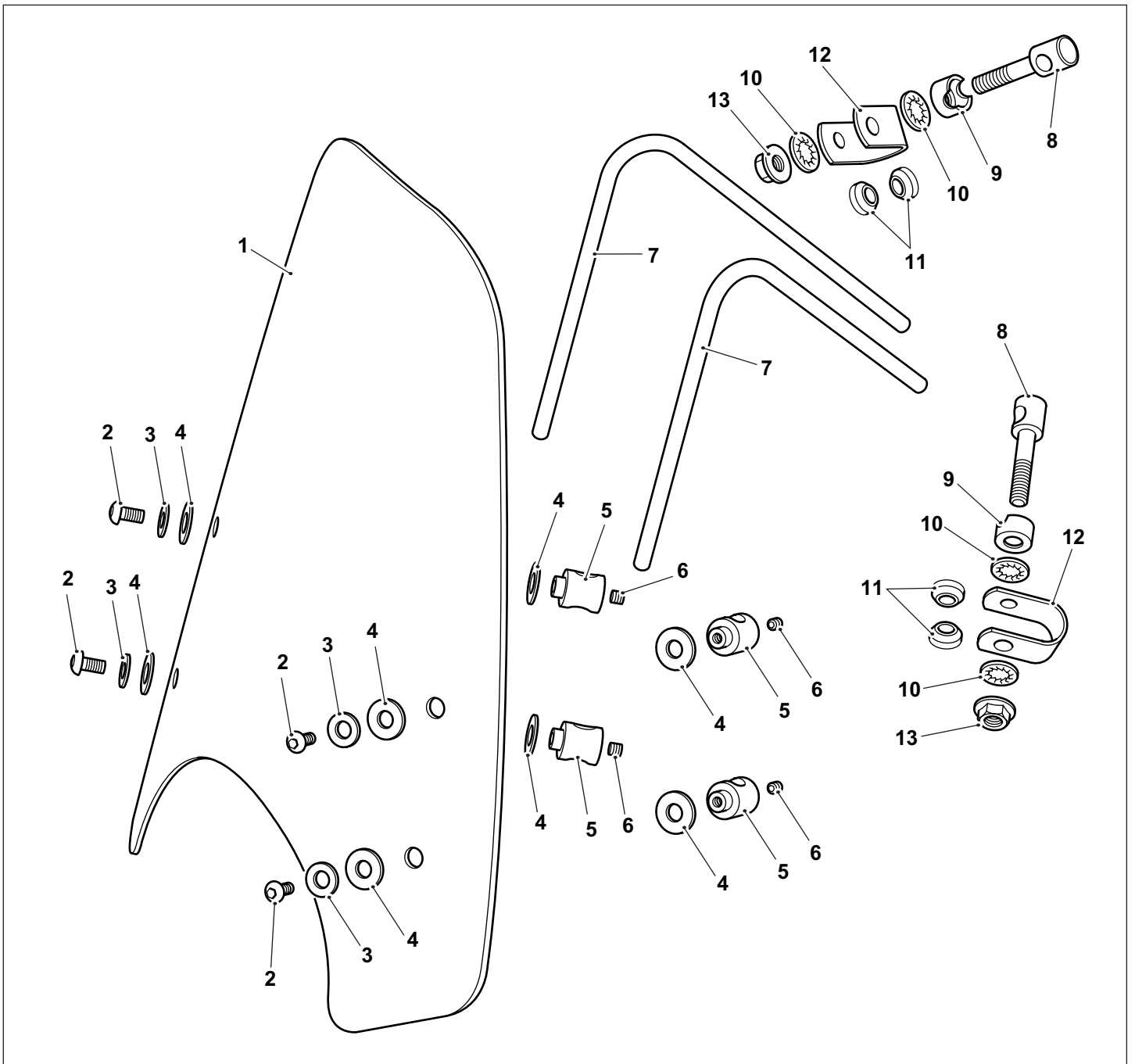
 **WARNING:** Royal Enfield genuine accessories are designed to fit only the specific Royal Enfield motorcycle(s) that are specified above. They should not be fitted to any other type of motorcycle. Pay particular attention to the warnings and cautions contained in this instruction, failure to do so may result in an incorrect installation of the accessory which could result in an unsafe riding condition and possible accident. If in any doubt always seek the help from your authorised Royal Enfield dealer.

 **WARNING:** Before starting any accessory kit installation ensure the motorcycle is supported in a stable condition. Failure to support the motorcycle correctly could lead to motorcycle damage or personal injury.

 **WARNING:** All fixings must be tightened to the torque values specified in this instruction. Failure to tighten fixings to the correct torque could result in an unsafe riding condition and possible accident.

 **CAUTION:** Care should be taken when fitting any accessory kit. Incorrect handling kit components or the use of incorrect tools could lead to component or motorcycle damage.

**NOTE:** The content of this instruction is subject to change at any time without notice or liability. Royal Enfield reserves the right to revise the information presented at any time.

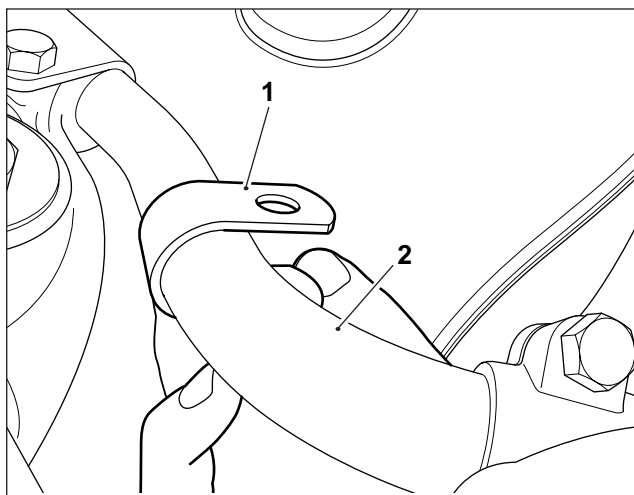


Item	Description	Qty
1	Windshield	1
2	Fixing, M6 x 12 mm	4
3	Washer, M6	4
4	Rubber washer	8
5	Screen boss	4
6	Grub screw	4
7	Mounting arm	2

Item	Description	Qty
8	Handlebar clamp screw	2
9	Handlebar clamp screw cup	2
10	Serrated washer	4
11	Conical spacer	4
12	Mounting bracket	2
13	Flanged nut	2

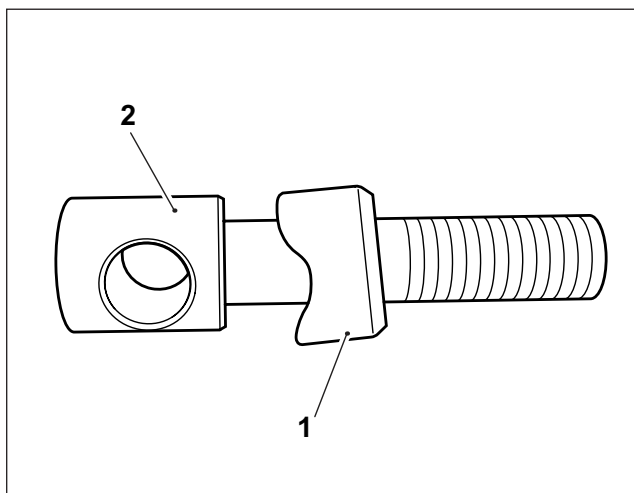
**1** Fit one of the mounting brackets (1) to the left hand side of the handlebars (2), as close as possible to the upper curve of the handlebar, as shown. Ensure the switch gear wiring is not trapped between the mounting bracket and handlebars.

**⚠ WARNING: A wiring harness which becomes trapped or pinched during installation of the mounting brackets (1) may lead to wiring harness damage and electrical malfunctions.**



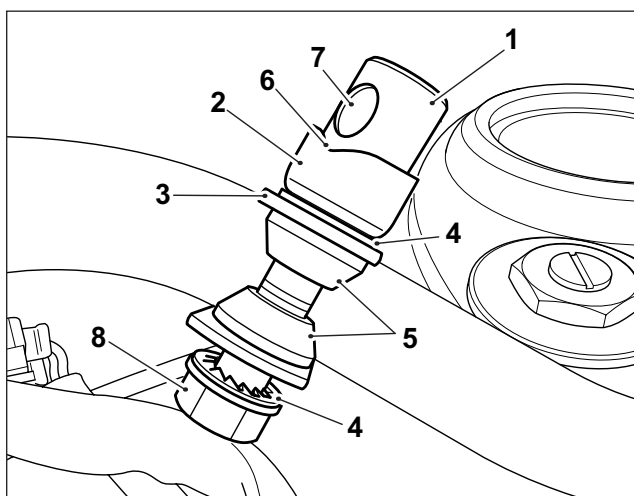
**2** Collect a handlebar clamp screw, handlebar clamp screw cup, two serrated washers, two conical spacers and a flanged nut from the kit.

**3** Fit the handlebar clamp screw cup (1) onto the handlebar clamp screw (2) in the orientation shown.



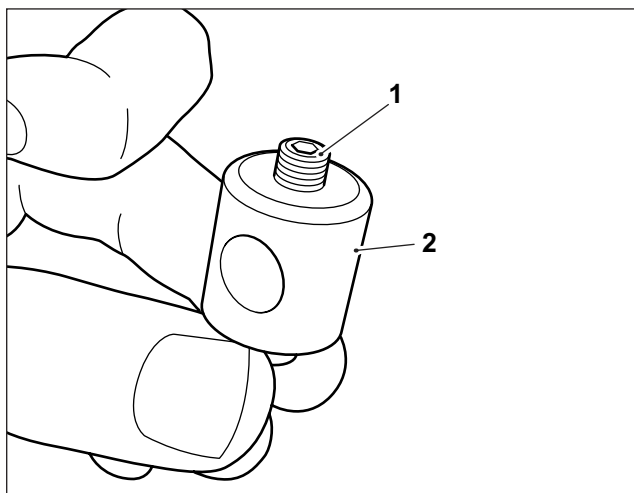
**4** Fit the handlebar clamp screw (1) and cup (2) assembly into the mounting bracket (3) with the serrated washers (4) and conical spacers (5) positioned as shown. Ensure the recess (6) in the handlebar clamp screw cup (2) is aligned with the hole (7) in the handlebar clamp screw (1).

Fit the flanged nut (8) to the handlebar clamp screw, do not fully tighten the nut at this stage.

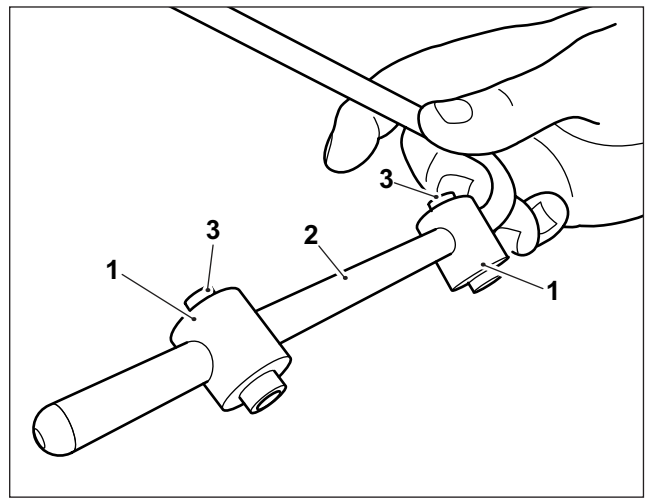


**5** Collect a mounting arm, two screen bosses and two grub screws from the kit.

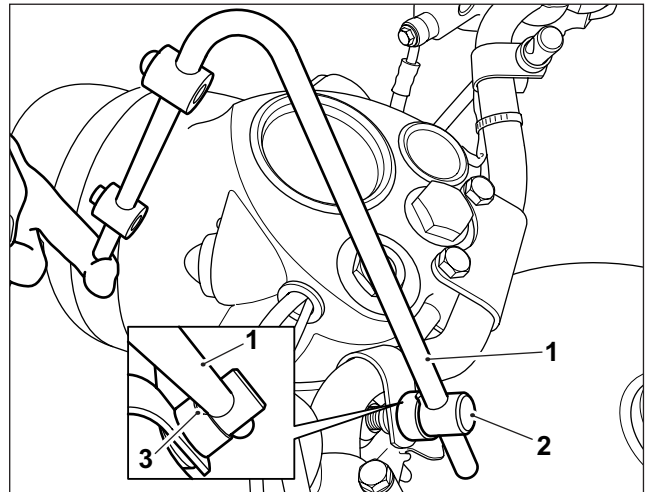
Loosely fit the grub screws (1) into the screen bosses (2).



**6** Fit the screen bosses (1) onto the shorter section of the mounting arm (2) positioning the upper screen boss close to the bend in the mounting arm, as shown. Do not fully tighten the grub screws (3), tighten only enough to hold the screen bosses in position.

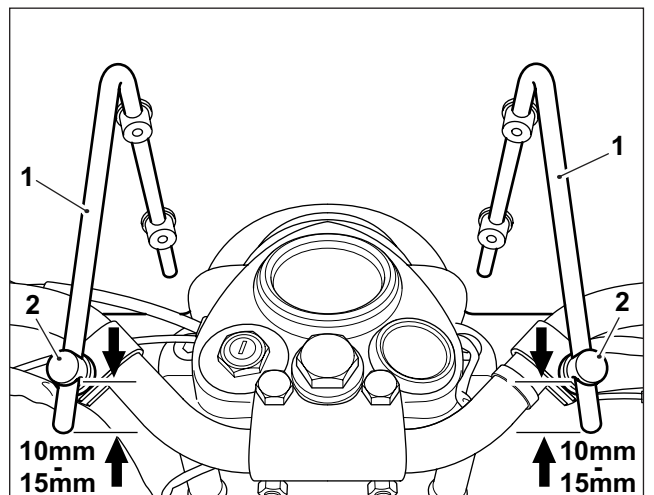


**7** Fit the mounting arm (1) into the handlebar clamp screw (2) ensuring the recess (3) in the handlebar clamp screw cup locates against the mounting arm as shown. Tighten the the flanged nut on the handlebar clamp screw only enough to hold the mounting arm in position.

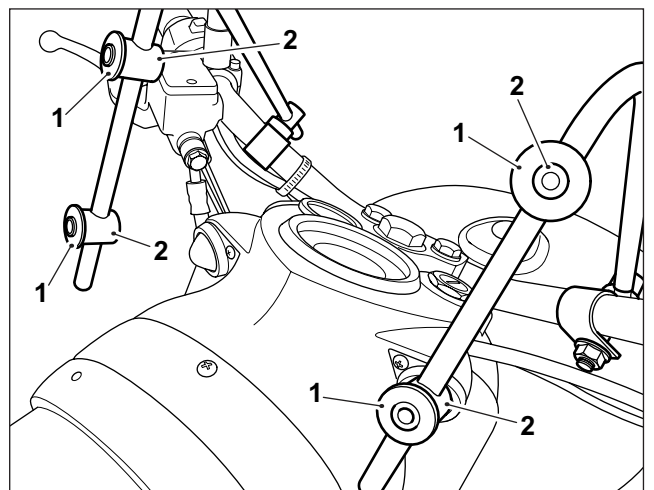


**8** Repeat steps 1 to 7 for the right hand side of the handlebars.

**9** Adjust the position of the left hand and right hand mounting arms (1) to ensure there is an equal distance on both sides of 10mm to 15mm from the head of the handlebar clamp screws (2) to the bottom of the mounting arms.



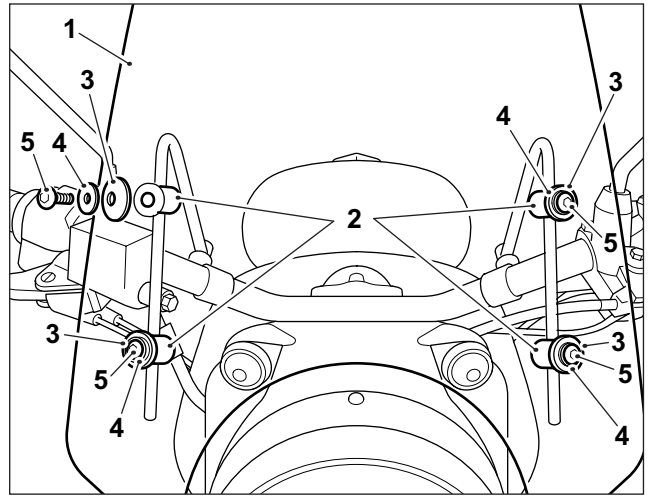
**10** Fit four of the rubber washers (1) from the kit onto the screen bosses (2), as shown.



**11** Carefully position the windshield (1) onto the screen bosses (2), adjusting the position of the two lower screen bosses as necessary.

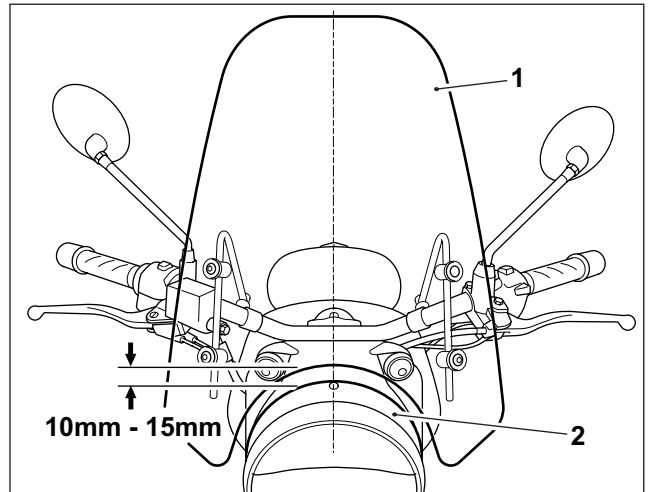
Fit the four remaining rubber washers (3), M6 washers (4) and M6 x 12mm fixings (5) from the kit to secure the windshield to the screen bosses as shown.

Tighten the M6 x 12mm fixings to **4Nm**.



**12** Adjust the position of the windshield (1) so it is aligned centrally on the motorcycle and there is a clearance of 10mm to 15mm between the windshield (1) and the top of the headlight (2).

**13** When the windshield is positioned correctly, first tighten the grub screws in the screen bosses to **10Nm**, then tighten the flanged nuts on the handlebar clamp screws to **22Nm**.



**WARNING:** After fitting any genuine Royal Enfield accessory always ride the motorcycle with caution and allow time to become familiar with any change in the motorcycle handling characteristics. Failure to become familiar with any change in the motorcycle handling characteristics may cause the motorcycle to become unstable and result in an accident.

**WARNING:** Do not attempt to clean the windshield while riding the motorcycle. An attempt to clean the windshield while riding the motorcycle may cause the motorcycle to become unstable and result in an accident.