

Part Number:

1990405

Models :

Continental GT 650 (2018 onwards)

Interceptor INT 650 (2018 onwards)

INT 650 (US Only) (2018 onwards)

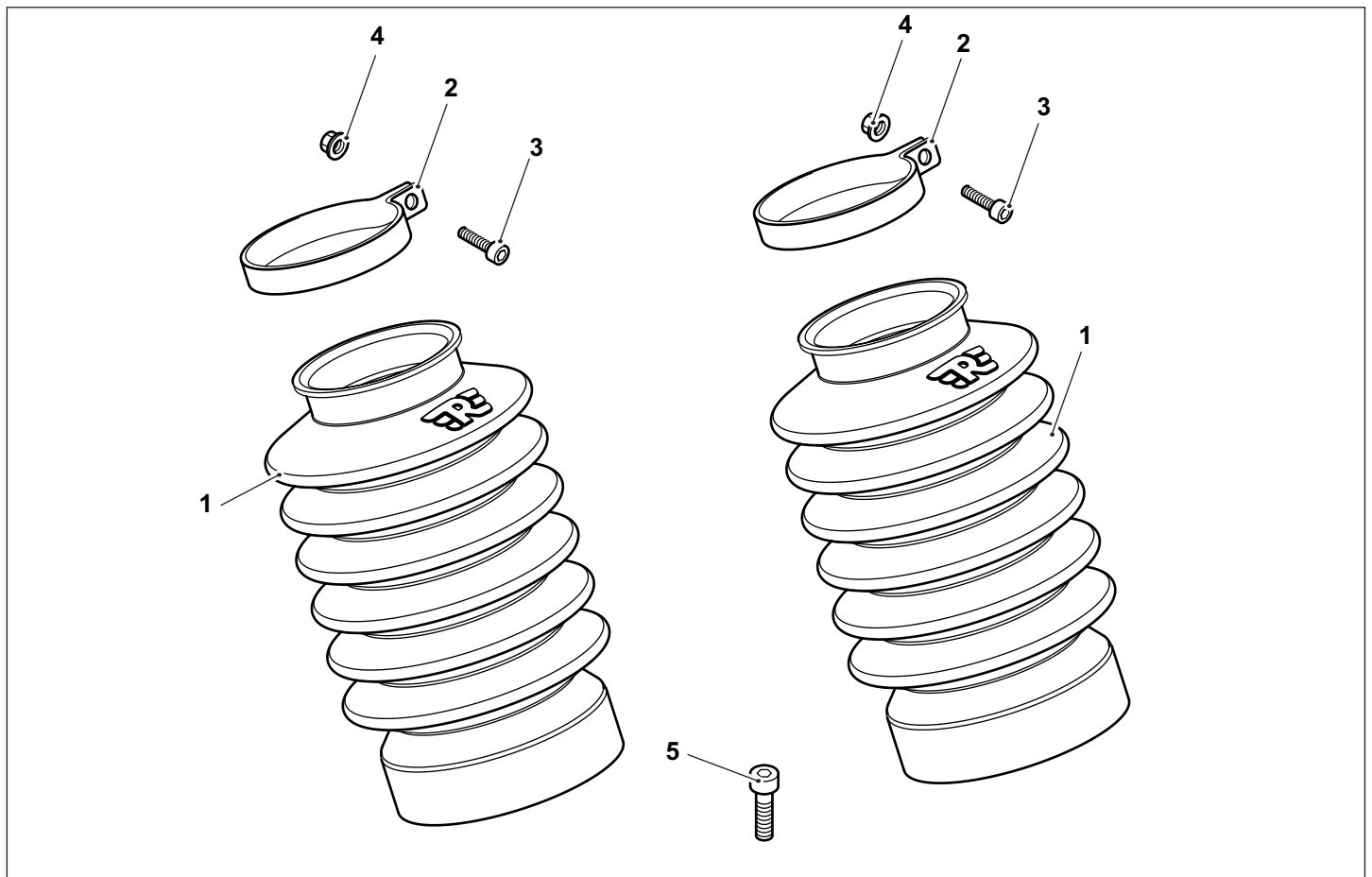
WARNING: Royal Enfield genuine accessories are designed to fit only the specific Royal Enfield motorcycle(s) that are specified above. They should not be fitted to any other type of motorcycle. Pay particular attention to the warnings and cautions contained in this instruction, failure to do so may result in an incorrect installation of the accessory which could result in an unsafe riding condition and possible accident. If in any doubt always seek the help from your authorised Royal Enfield dealer.

WARNING: Before starting any accessory kit installation ensure the motorcycle is supported in a stable condition. Failure to support the motorcycle correctly could lead to motorcycle damage or personal injury.

WARNING: All fixings must be tightened to the torque values specified in this instruction. Failure to tighten fixings to the correct torque could result in an unsafe riding condition and possible accident.


CAUTION: Care should be taken when fitting any accessory kit. Incorrect handling kit components or the use of incorrect tools could lead to component or motorcycle damage.

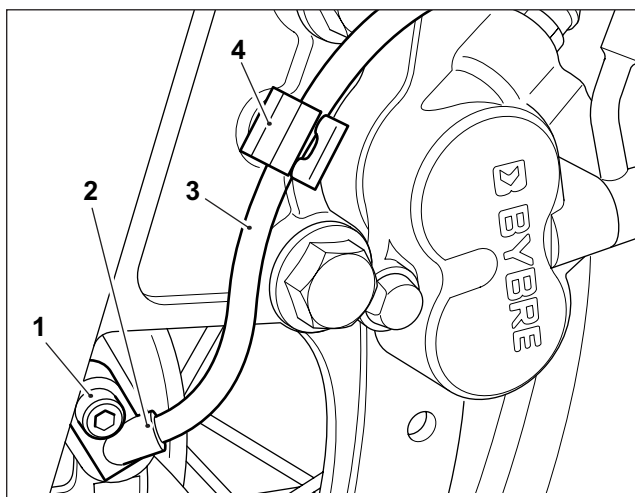
NOTE: The content of this instruction is subject to change at any time without notice or liability. Royal Enfield reserves the right to revise the information presented at any time.



Item	Description	Qty
1	Fork gaiter	2
2	Clamp	2
3	Fixing, M4 x 10mm	2
4	Nut, M4	2
5	Fixing, M6 x 12mm	1


1 Remove the front wheel speed sensor fixing (1) and sensor (2) from the wheel hub on the left hand side of the motorcycle. Detach the sensor harness (3) from the cable clip (4) on the fork leg. Discard the sensor fixing.

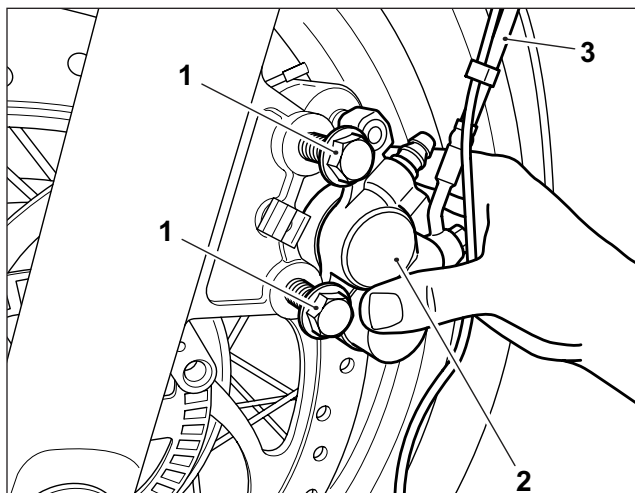
	5mm Allen socket with ratchet
---	-------------------------------



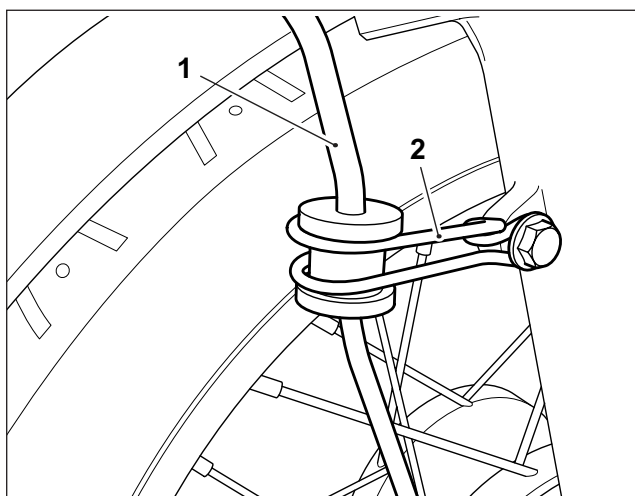
NOTE: When the front brake fixings (1) are removed ensure the front brake assembly (2) is supported correctly and not allowed to hang freely on the brake hose (3).

2 Remove the front brake fixings (1) on the left hand side of the motorcycle. Retain the fixings for reuse

	13mm Bi-hexagonal socket with ratchet
---	---------------------------------------




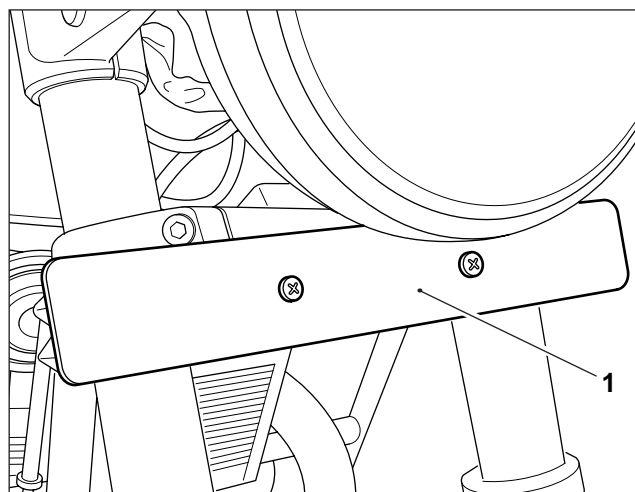
3 Remove the speedometer cable (1) from the cable guide (2) on the right hand side of the motorcycle.



Indian and Indonesian Markets Only

4 Remove the front licence plate (1). Retain the licence plate and fixings for reuse.

	Cross head Screwdriver
---	------------------------

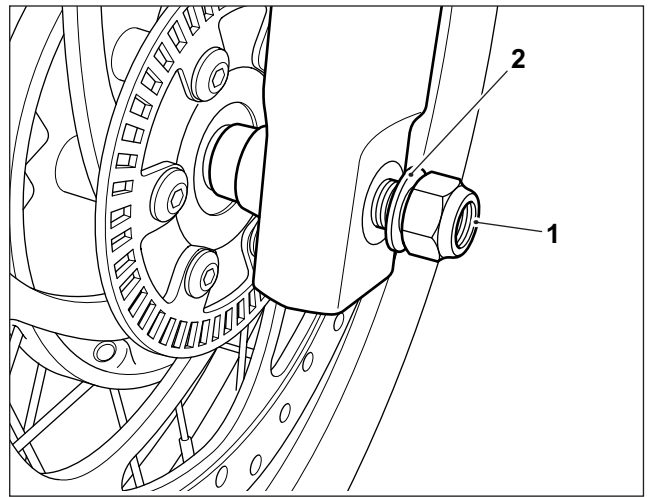


All Markets

5 Remove the front wheel spindle retaining nut (1) and washer (2) on the left hand side of the motorcycle. Retain the nut and washer for reuse.



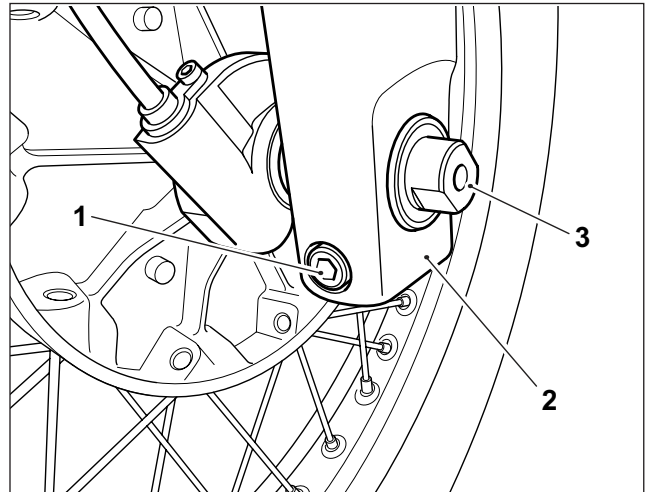
24mm Bi-hexagonal socket with ratchet



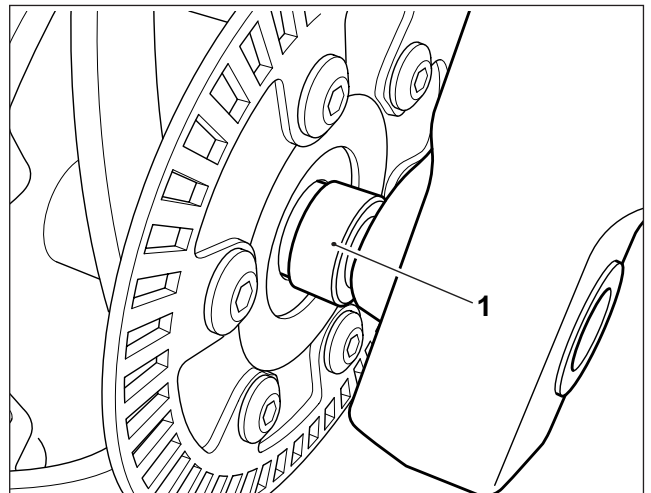
6 Loosen the pinch bolt (1) at the bottom of the right hand fork leg (2). While supporting the front wheel, remove the wheel spindle (3) from the right hand side of the motorcycle. Retain the wheel spindle for reuse.



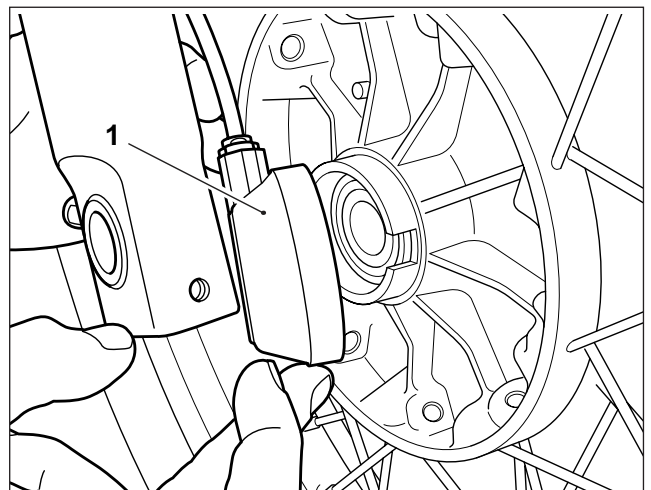
8mm Allen socket with ratchet



NOTE: When removing the front wheel ensure the spindle bush (1) in the left hand side of the wheel hub remains in position. If the spindle bush becomes detached during the front wheel removal it must be retained for reuse when the wheel is refitted.



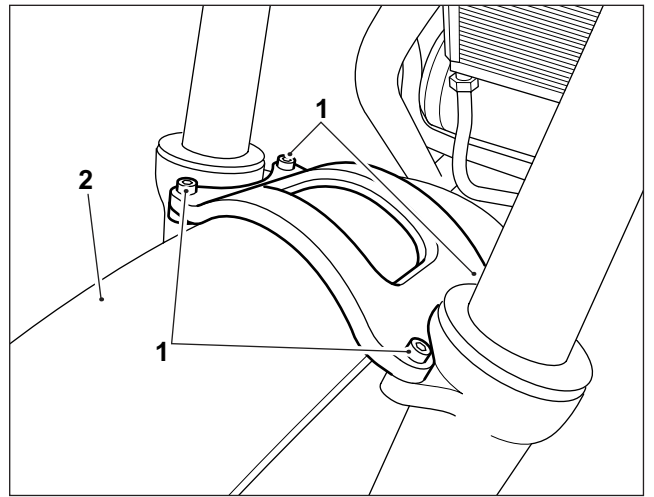
7 Remove the front wheel just enough to disengage the speedometer drive (1) from the right hand side of the wheel. With the speedometer drive disengaged remove the wheel from the motorcycle.



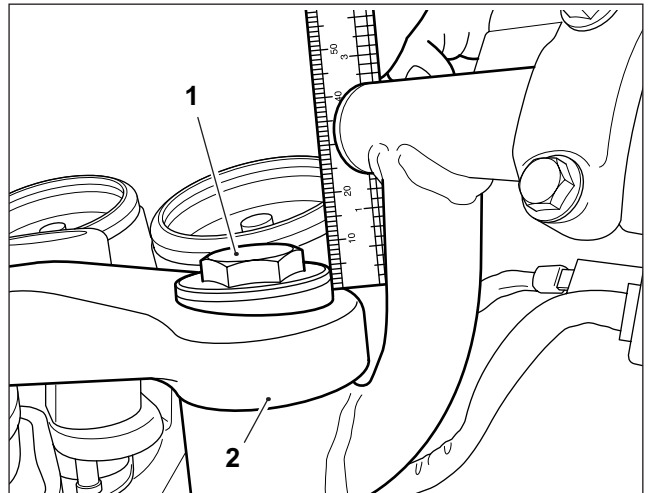
8 Remove the front mudguard support fixings (1). Retain the mudguard assembly (2) and fixings (1) for reuse.



5mm Allen socket with ratchet



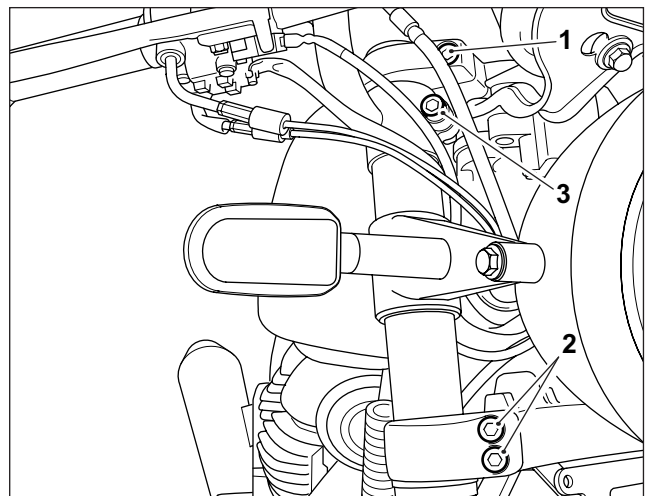
9 On the right hand side of the motorcycle, measure from the top of the fork leg (1) to the upper yoke (2), at the outer edge as shown. Record the measurement for reassembly.



10 Loosen the upper yoke pinch bolts (1), lower yoke pinch bolts (2) and handlebar riser pinch bolts (3) for the right hand fork leg.

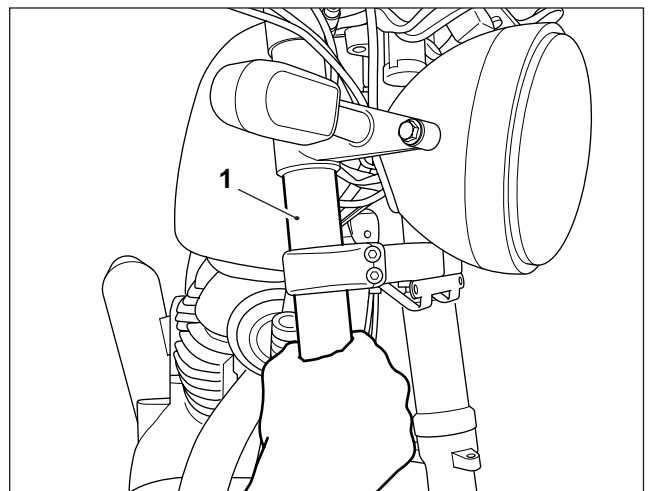


6mm Allen socket with ratchet




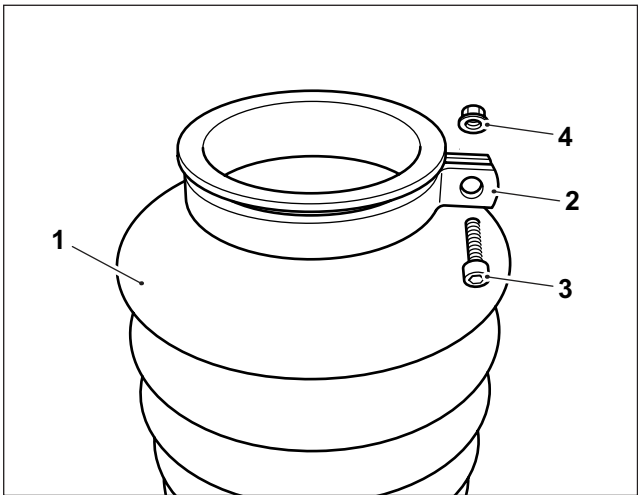
NOTE: When removing the fork leg ensure the handlebar riser assembly is supported correctly and not allowed to hang freely from the motorcycle.

11 Remove the right hand fork leg (1) from the motorcycle.

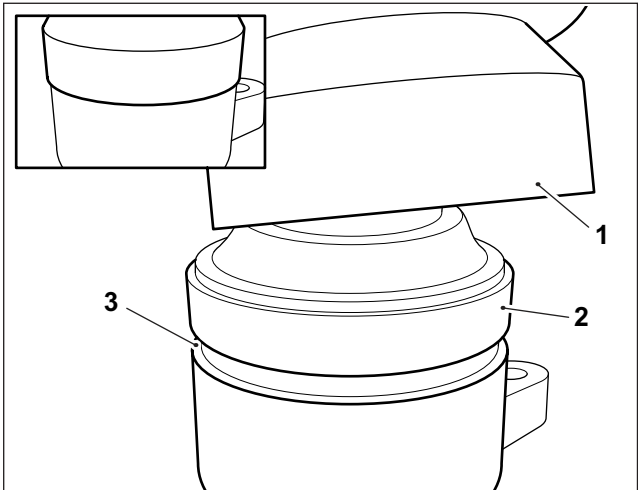


12 Collect a fork gaiter (1), clamp (2), fixing (3) and nut (4) from the kit. Fit the clamp onto the top of the fork gaiter, as shown and loosely fit the fixing and nut to the clamp.

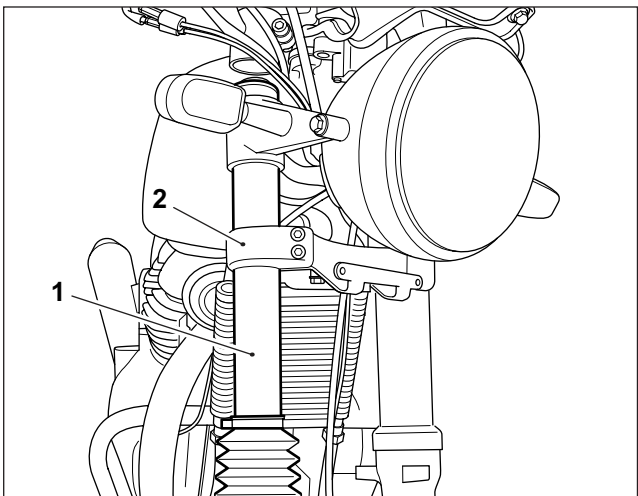
	3mm Allen socket with ratchet 7mm Spanner
---	--



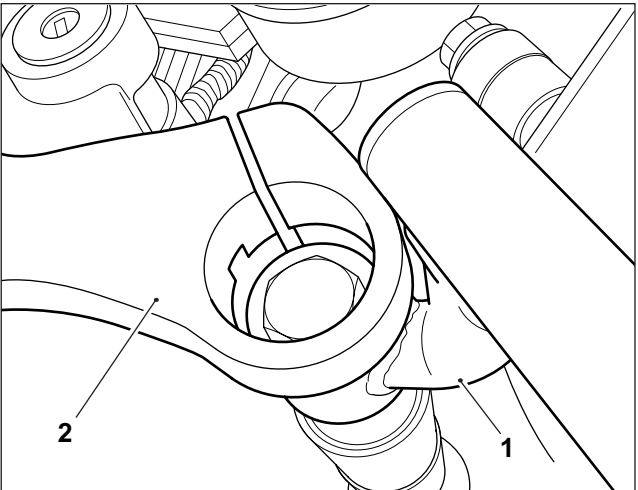
13 Fit the fork gaiter (1) on to the right hand fork leg (2) and slide the gaiter onto the fork leg until it is possible to locate the bottom of the gaiter into the location groove (3) in the fork leg, as shown.



14 Refit the right hand fork leg (1) into the lower yoke (2).

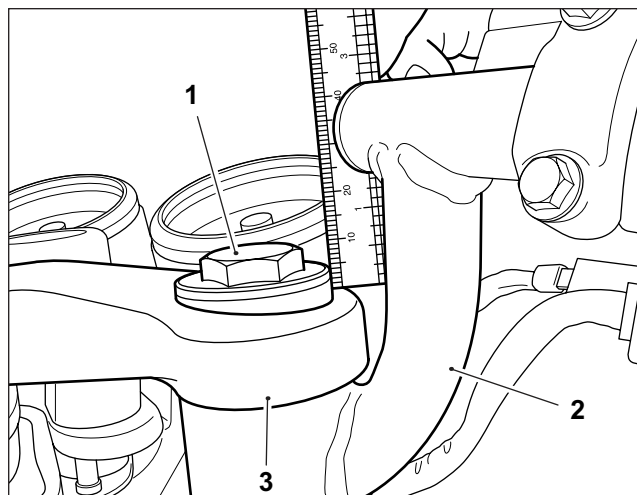


15 Ensure the handlebar riser (1) is correctly aligned with the upper yoke (2), as shown.



16 Fit the right hand fork leg (1) through the handlebar riser (2) and upper yoke (3).

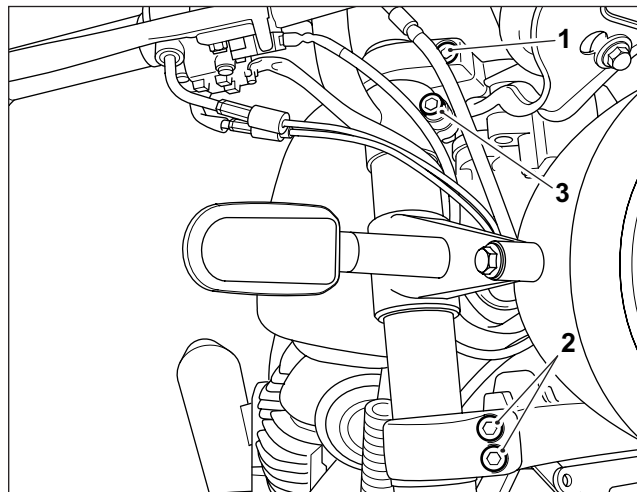
Measuring at the outer edge of the fork leg, adjust the position from the top of the fork leg to the top of the upper yoke to the original measurement recorded at removal in step 9.



17 Tighten the upper yoke pinch bolts (1), lower yoke pinch bolts (2) and handlebar riser pinch bolts (3) to **25 Nm**.



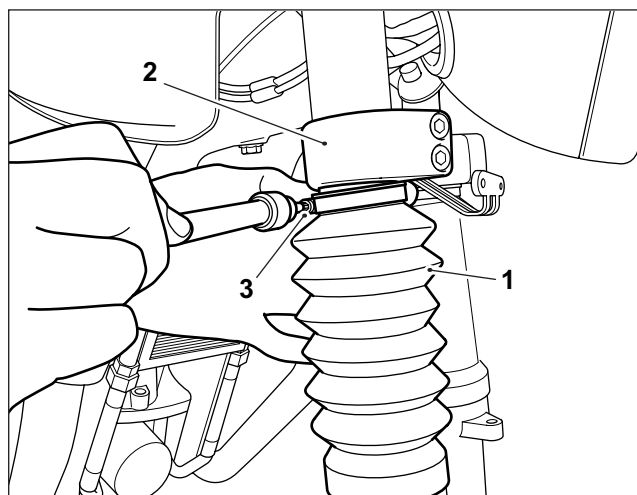
6mm Allen socket with torque wrench



18 Position the top of the fork gaiter (1) against the underside of the lower yoke (2), ensure the bottom location of the gaiter remains correctly located on the fork leg. Tighten the fork gaiter clamp band fixing (3) to **4 Nm**.

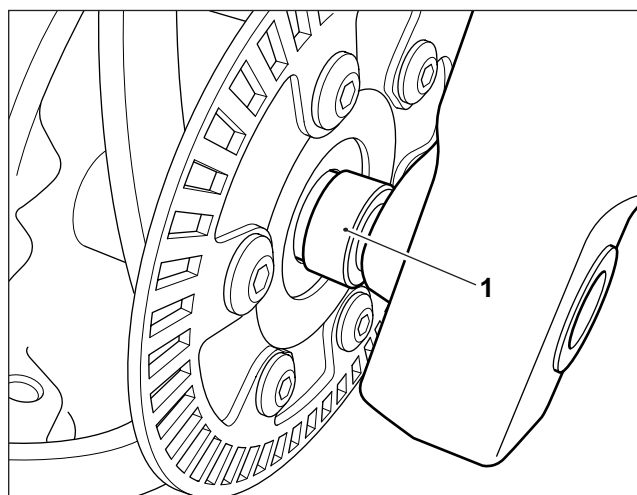


3mm Allen socket with torque wrench

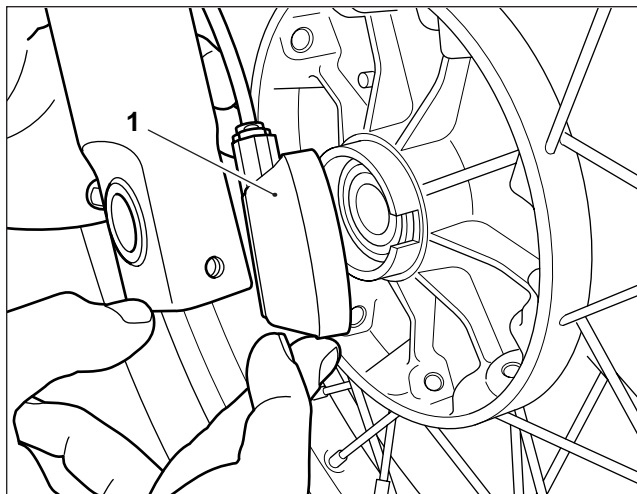


19 Repeat steps 9 to 18 for the left hand fork leg.

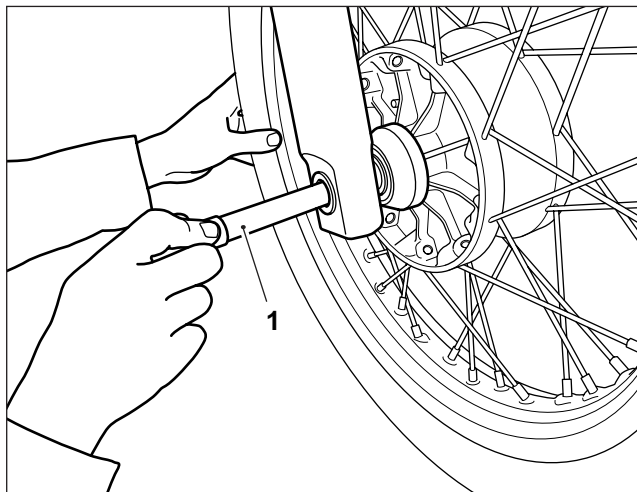
20 Refit the front wheel ensuring the spindle bush (1) is correctly located in the left hand side of the wheel hub.




21 Align the speedometer drive (1) with the wheel hub on the right hand side of the wheel.

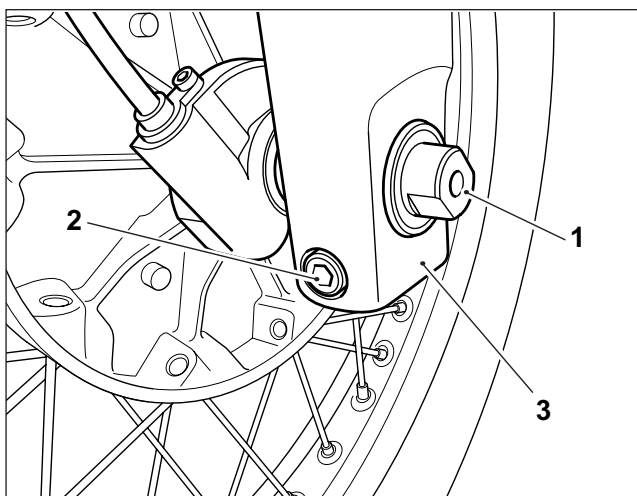


22 Align the left hand and right hand fork legs with the front wheel hub and refit the original wheel spindle (1) from the right hand side of the motorcycle.




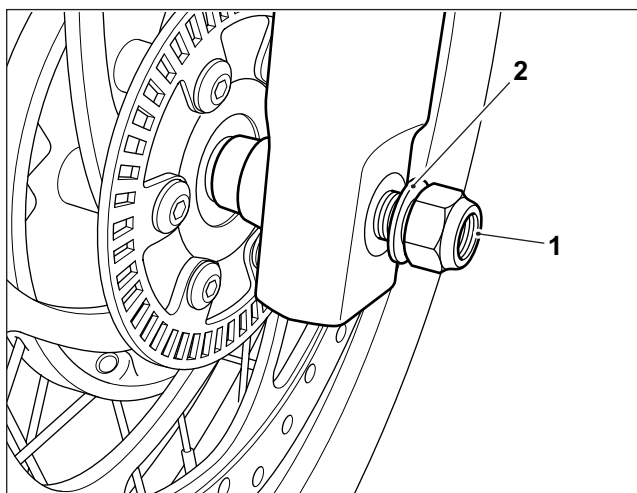
23 With the wheel spindle (1) fully inserted, tighten the pinch bolt (2) at the bottom of the right hand fork leg (3) to **25 Nm**.

	8mm Allen socket with torque wrench
---	-------------------------------------



24 Fit the spindle retaining nut (1) and washer (2) on the left hand side of the motorcycle. Tighten the spindle nut to **70 Nm**.

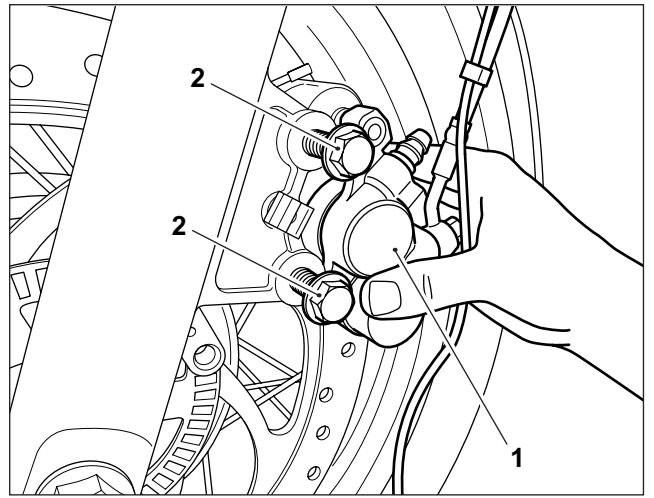
	24mm Bi-hexagonal socket with torque wrench
---	---



25 Refit the front brake (1) and secure with the original fixings (2). Tighten the fixings to **45 Nm**.



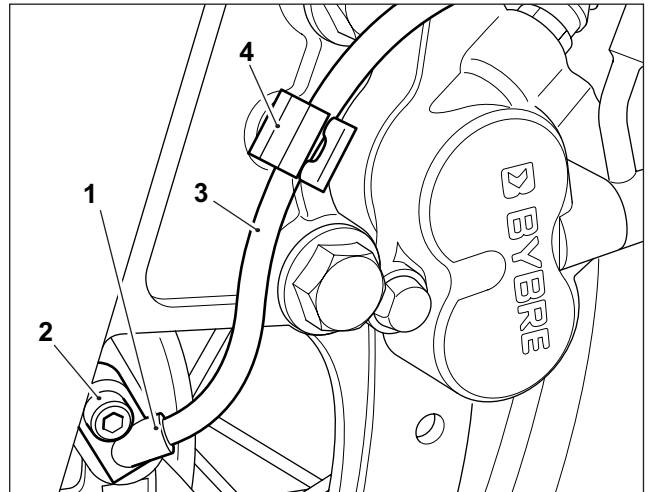
13mm Bi-hexagonal socket with torque wrench



26 Refit the front wheel sensor (1) and secure with the M6 x 12mm fixing (2) from the kit. Tighten the fixing to **10 Nm**. Attach the sensor cable (3) to the cable clip (4) on the fork leg, as shown.



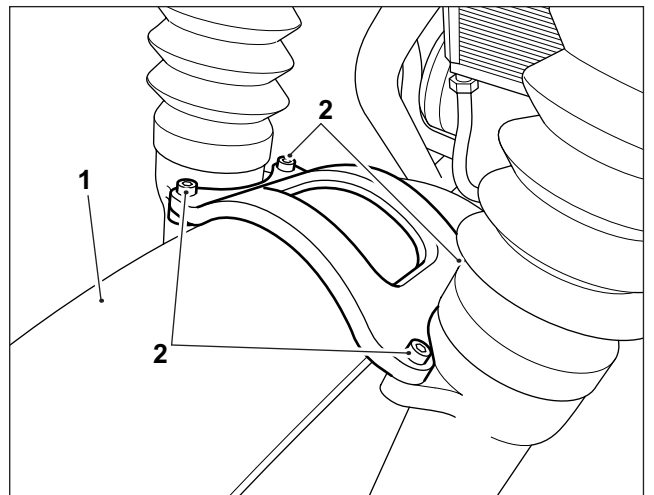
5mm Allen socket with torque wrench



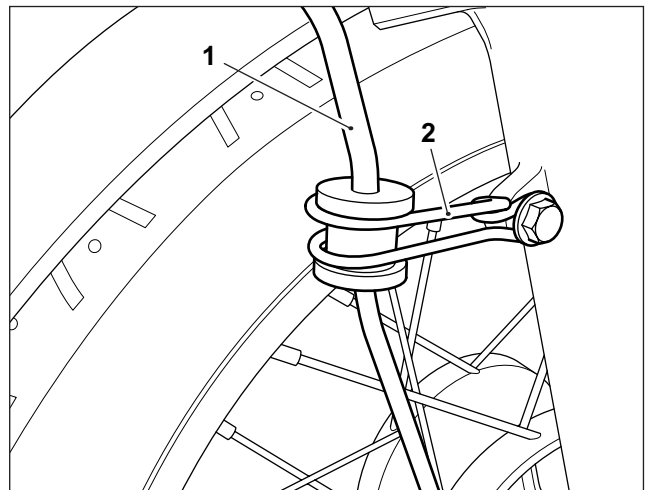
27 Refit the front mudguard assembly (1) and secure with the original fixings (2). Tighten the fixings to **10 Nm**.



5mm Allen socket with torque wrench



28 Refit the speedometer cable (1) into the cable guide (2).

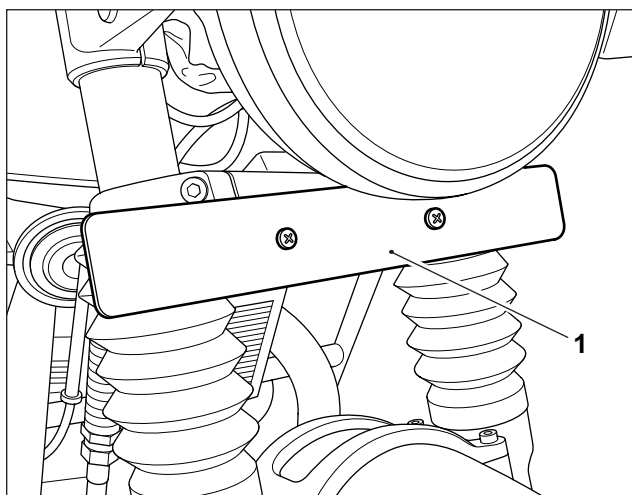


Indian and Indonesian Markets Only

29 Refit the front licence plate (1) using the original fixings. Tighten the fixings to **3 Nm**.



5mm cross head socket with torque wrench



WARNING: After fitting any genuine Royal Enfield accessory always ride the motorcycle with caution and allow time to become familiar with any change in the motorcycle handling characteristics. Failure to become familiar with any change in the motorcycle handling characteristics may cause the motorcycle to become unstable and result in an accident.