

Part Number:

1990411 Pannier Mounts, Pair
1990438 Pannier Mount, RH
1990410 Pannier Kit, Pair
1990439 Pannier Kit, RH

Models :

Continental (2018 onwards)
Interceptor (2018 onwards)

 **WARNING:** Royal Enfield genuine accessories are designed to fit only the specific Royal Enfield motorcycle(s) that are specified above. They should not be fitted to any other type of motorcycle. Pay particular attention to the warnings and cautions contained in this instruction, failure to do so may result in an incorrect installation of the accessory which could result in an unsafe riding condition and possible accident. If in any doubt always seek the help from your authorised Royal Enfield dealer.

 **WARNING:** Before starting any accessory kit installation ensure the motorcycle is supported in a stable condition. Failure to support the motorcycle correctly could lead to motorcycle damage or personal injury.

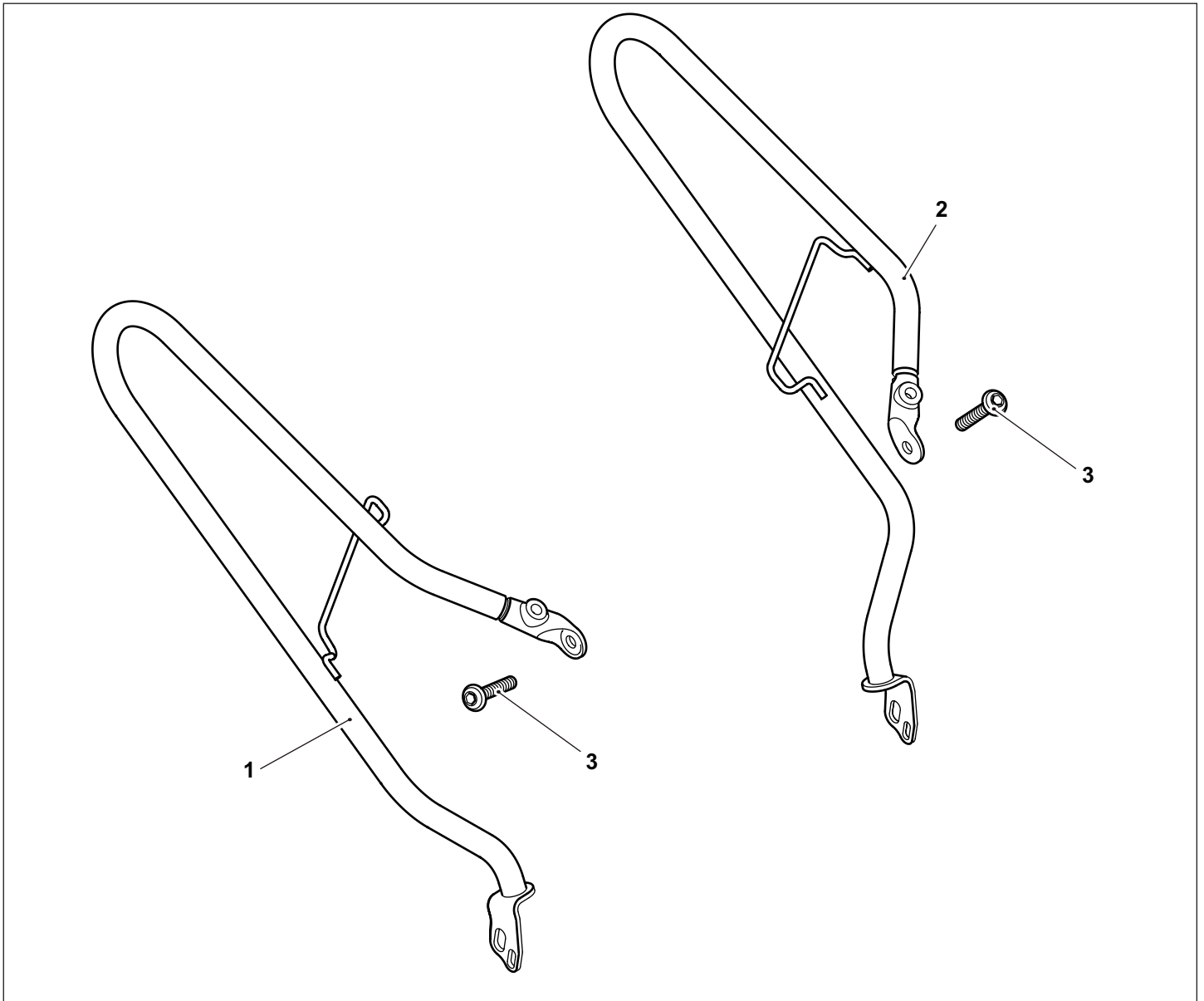
 **WARNING:** All fixings must be tightened to the torque values specified in this instruction. Failure to tighten fixings to the correct torque could result in an unsafe riding condition and possible accident.

 **CAUTION:** Care should be taken when fitting any accessory kit. Incorrect handling kit components or the use of incorrect tools could lead to component or motorcycle damage.

NOTE: The content of this instruction is subject to change at any time without notice or liability. Royal Enfield reserves the right to revise the information presented at any time.

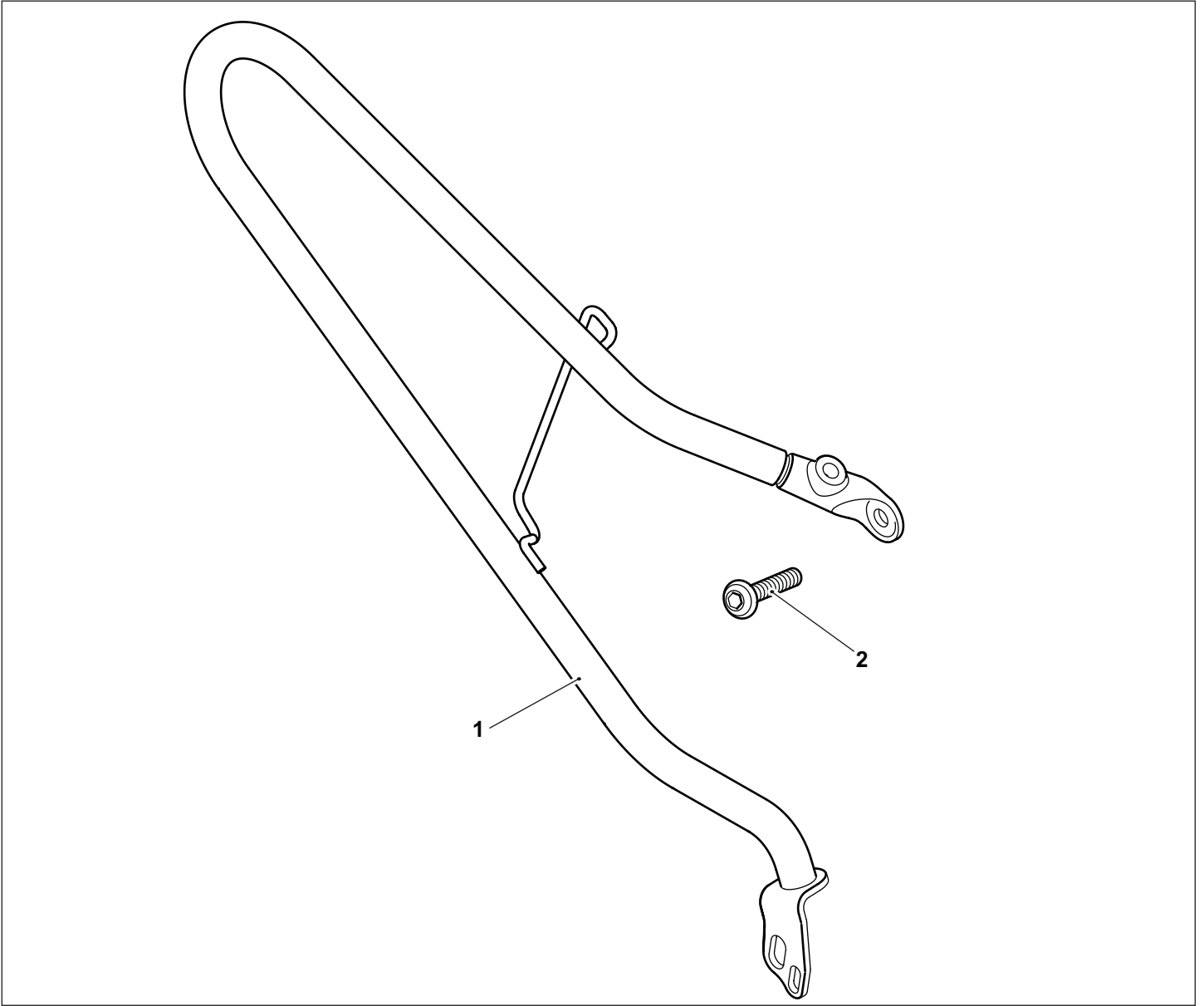
NOTE: The accessory pannier mount kit 1990411 must not be fitted together with a lift handle. If the motorcycle is fitted with a lift handle, it must be removed before installing the left hand accessory pannier mount to the motorcycle.

1990411 Pannier Mount Kit - Pair



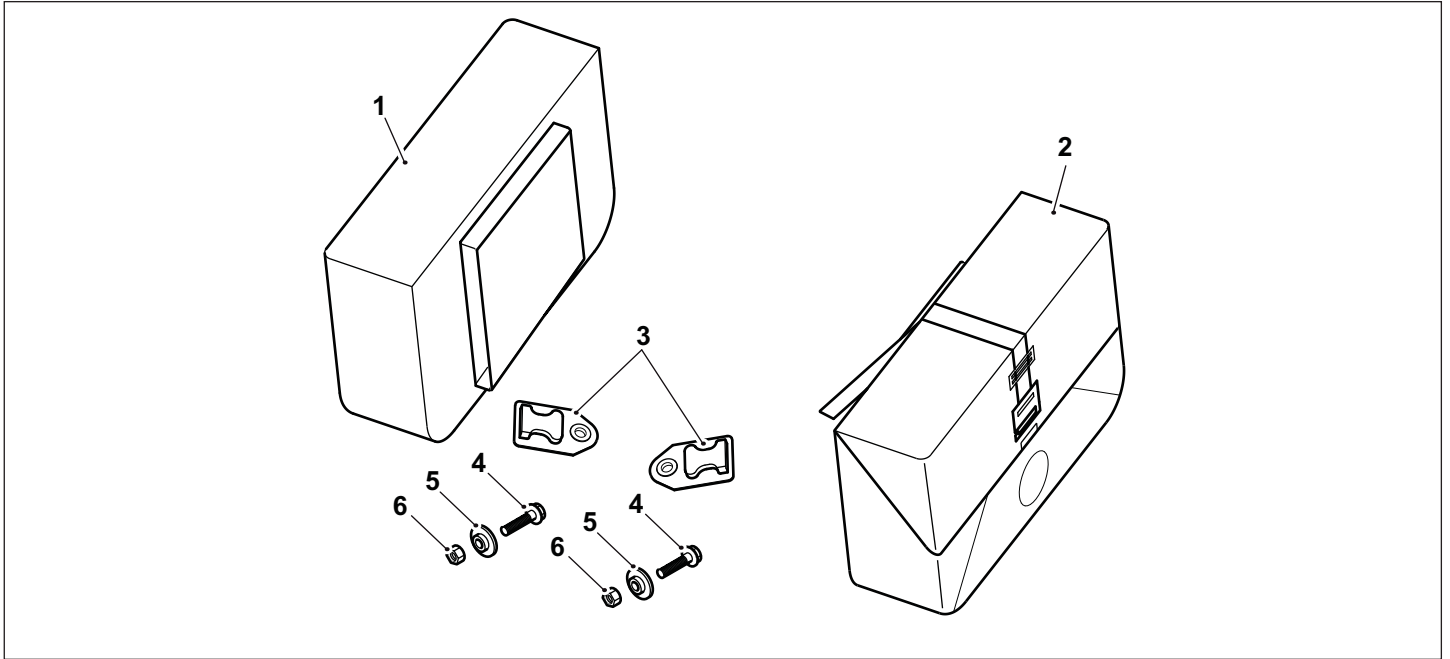
Item	Description	Qty
1	Pannier mount, right hand	1
2	Pannier mount, left hand	1
3	Fixing	2

1990438 Pannier Mount Kit - Right Hand



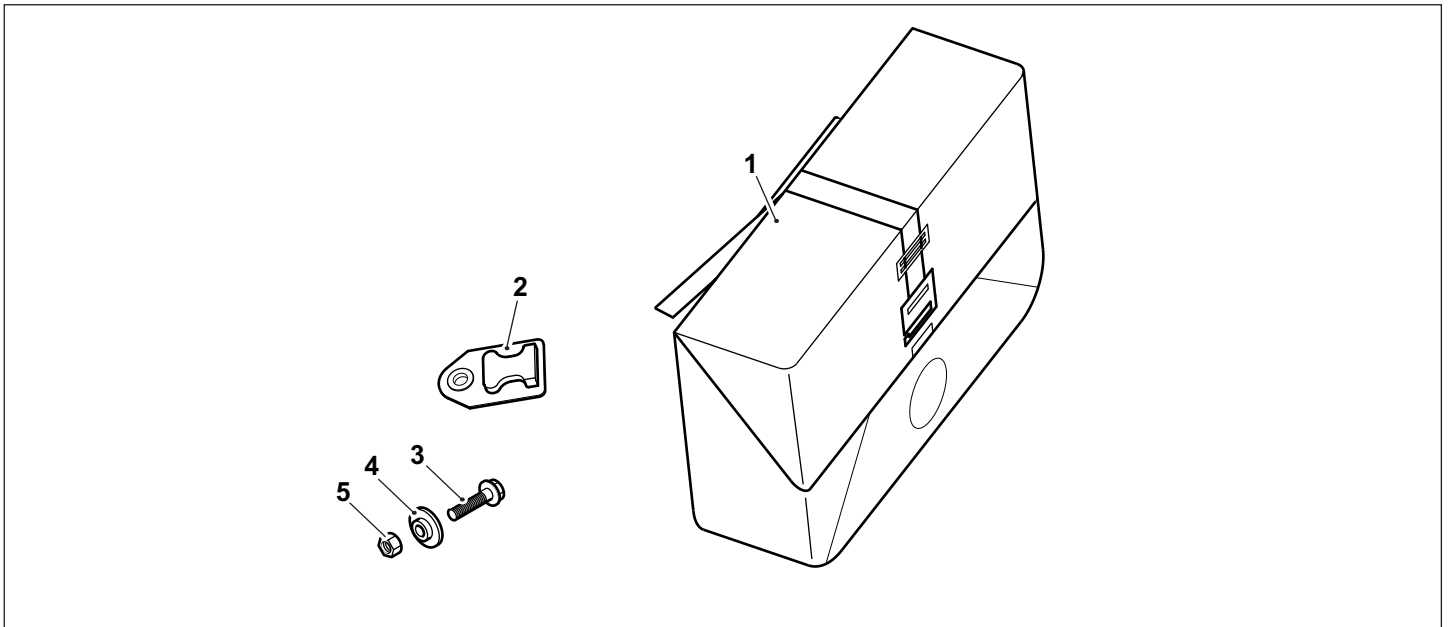
Item	Description	Qty
1	Pannier mount, right hand	1
2	Fixing	1

1990410 Pannier Kit - Pair



Item	Description	Qty
1	Pannier, right hand	1
2	Pannier, left hand	1
3	Pannier mounting	2
4	Fixing	2
5	Compression limiter	2
6	Nut	2

1990439 Pannier Kit - Right Hand

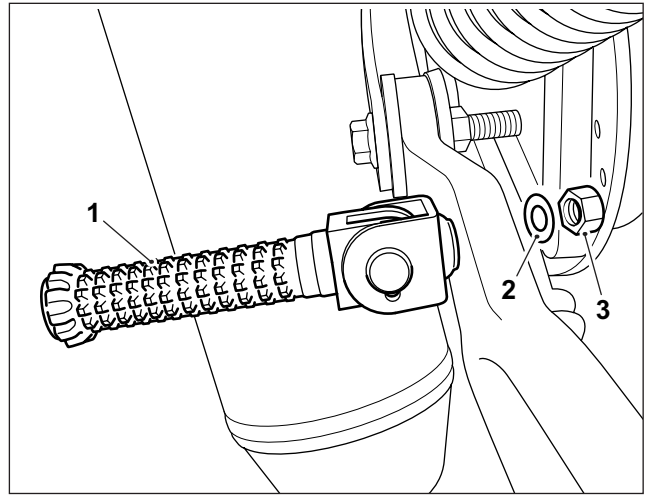


Item	Description	Qty
1	Pannier, right hand	1
2	Pannier mounting	1
3	Fixing	1
4	Compression limiter	1
5	Nut	1

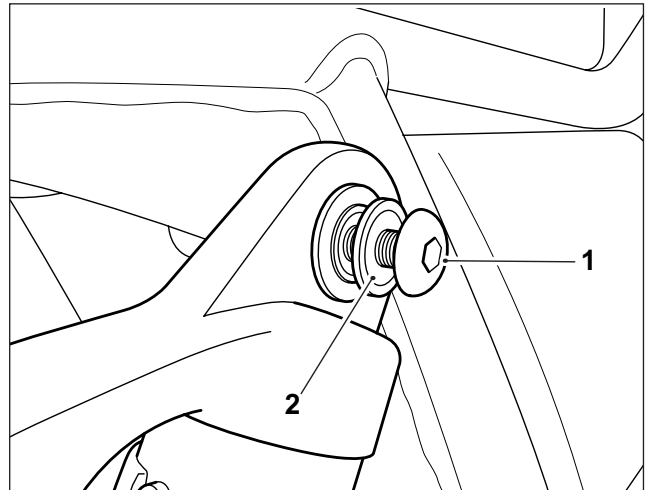
Installing the Pannier Mounts

Right Hand Side

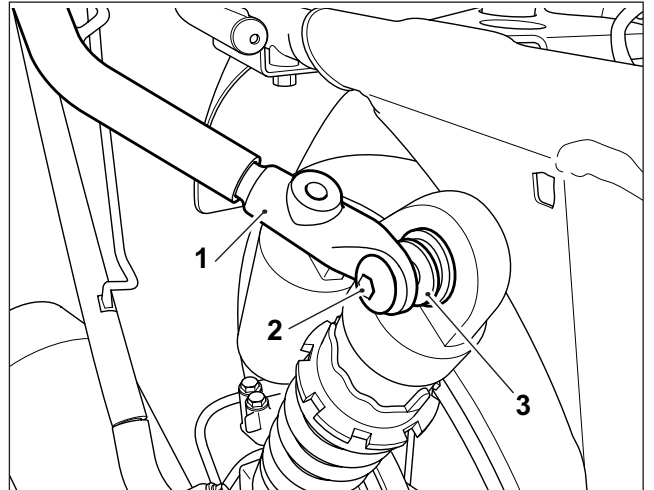
1 Remove the passenger footrest (1) from the right hand side of the motorcycle. Retain the footrest (1), washer (2) and nut (3) for reuse.



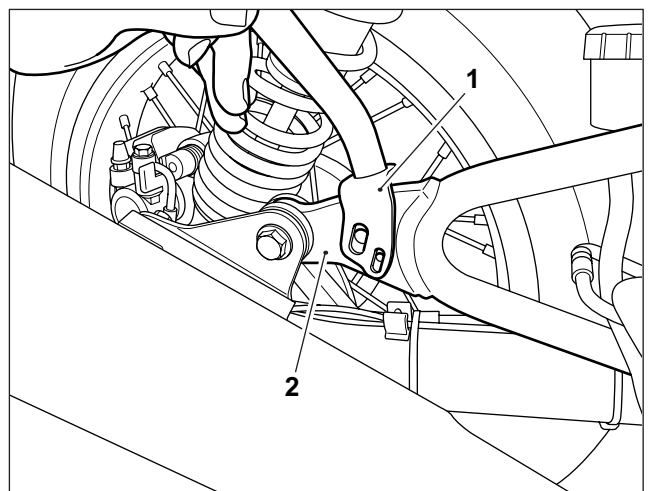
2 Remove the upper rear suspension fixing (1) and washer (2) on the right hand side of the motorcycle. Retain the washer for reuse, discard the fixing.



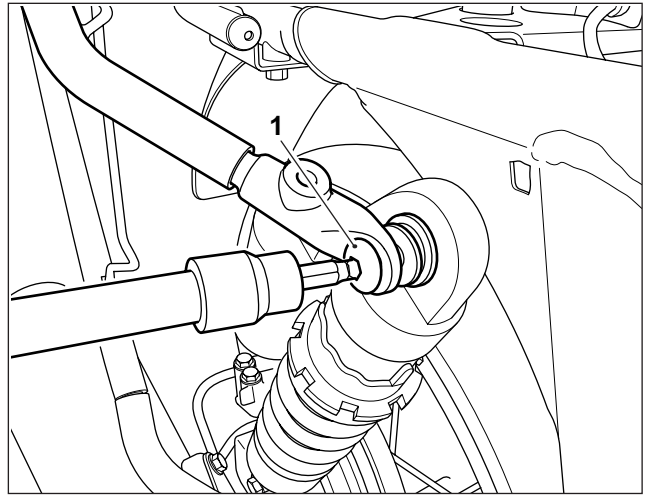
3 Align the right hand pannier mount upper fixing bracket (1) with the upper rear suspension mounting. Fit the fixing (2) from the kit with the original washer (3) positioned between the pannier mount and rear suspension mount, as shown. Do not fully tighten the fixing at this stage.



4 Align the lower pannier mount fixing bracket (1) with the passenger footrest mounting (2) on the motorcycle frame. Refit the passenger footrest with the original washer and nut. Tighten the footrest fixing to **22 Nm**.



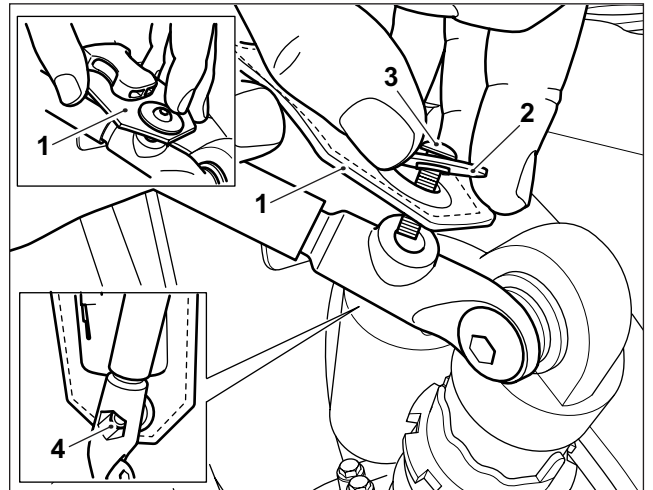
5 Tighten the rear suspension upper fixing (1) to **25Nm**.



6 Collect a pannier mounting (1), fixing (2), compression limiter (3) and nut (4) from the kit.

Fit the fixing and compression limiter into the pannier mounting and fit the pannier mounting on to the pannier mount in the orientation shown. Fit the nut into the underside of the pannier mount and tighten the pannier mounting fixing to **8Nm**.

Where applicable, repeat steps 1 to 6 for the left hand side of the motorcycle.



Left Hand Side

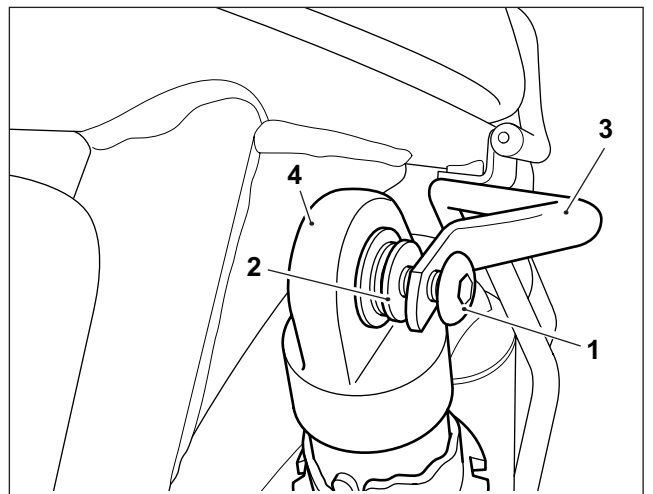
Models without a Lift Handle fitted

Repeat step 1 to 6 to install the left hand pannier mount.

Models with a Lift Handle fitted

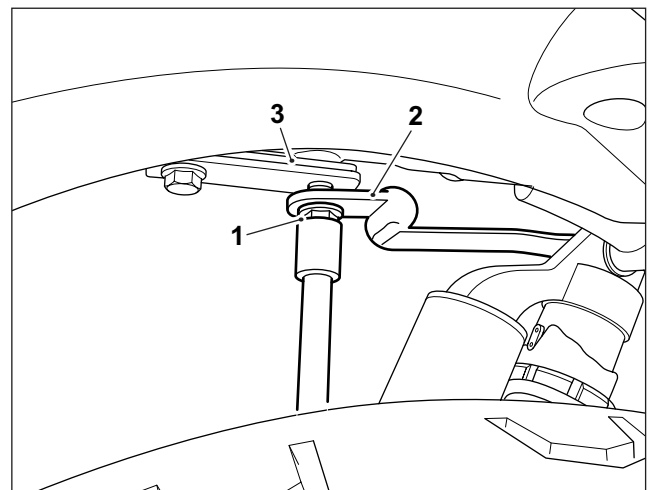
7 Remove the rear suspension top fixing (1) and washer (2) retaining the front of the lift handle (3) to the rear suspension top mounting (4) on the left hand side of the motorcycle.

Retain the washer for reuse. Discard the fixing.



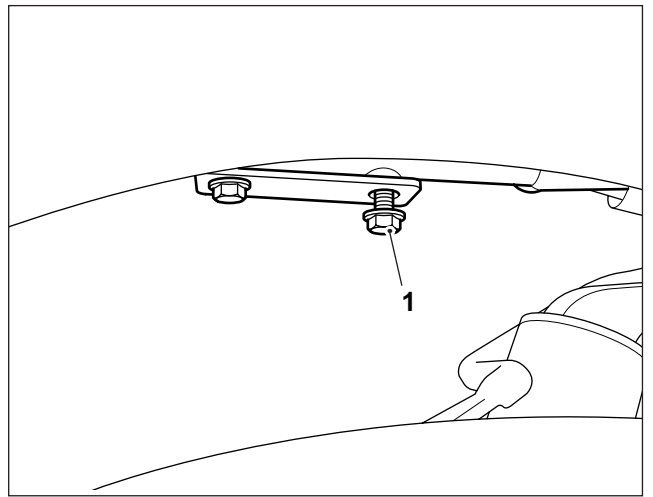
8 Remove the front grab rail fixing (1) securing the lift handle (2) to the motorcycle frame (3). Remove the lift handle from the motorcycle. Retain the lift handle for reuse if the accessory rear suspension finishers are to be removed.

Retain the grab rail fixing for reuse.



9 Refit the front grab rail fixing (1). Tighten the fixing (1) to **25 Nm**.

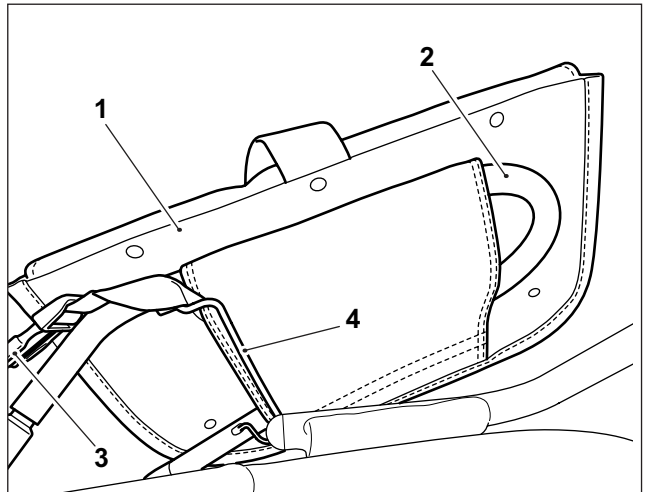
Repeat step 1 and steps 3 to 6 to install the left hand pannier mount.



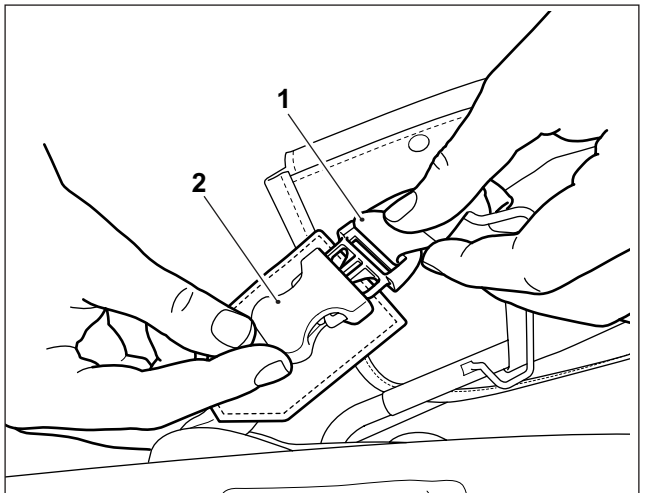
Installing the Panniers

1 Slide the pannier (1) on to the pannier mount (2) in the orientation shown with the pannier retaining strap (3) positioned towards the front of the motorcycle, right hand side shown.

Ensure the pannier is pushed fully on to the pannier mount until it is against the bracket (4) on the pannier mount.

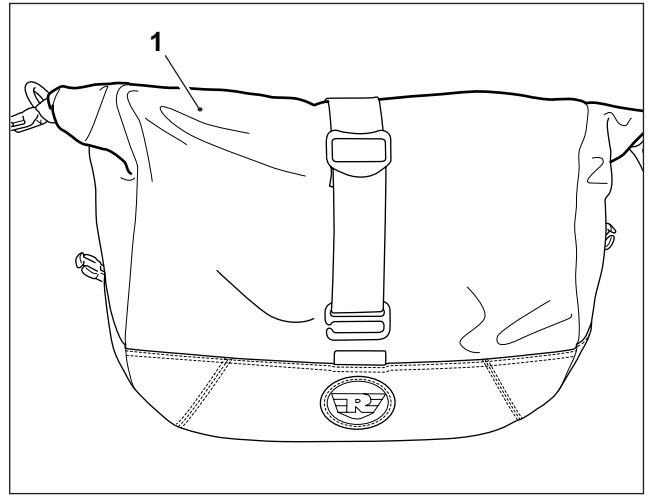


2 Attach the pannier retaining strap clip (1) into the pannier mounting clip (2), as shown.

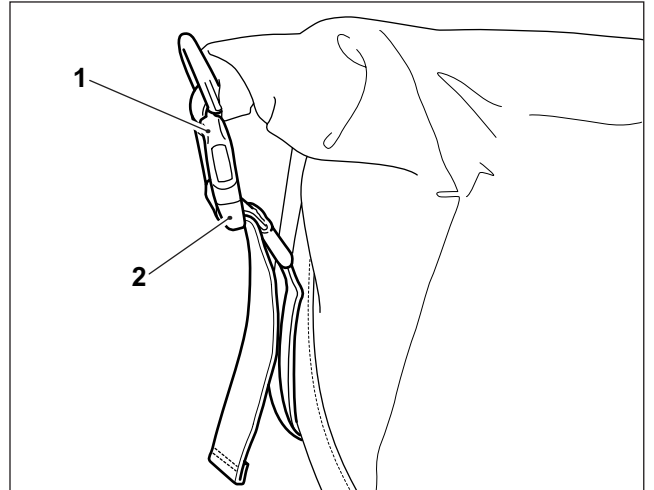


Using the Panniers

1 Fold over the top of the pannier (1) repeatedly to take up any excess material.

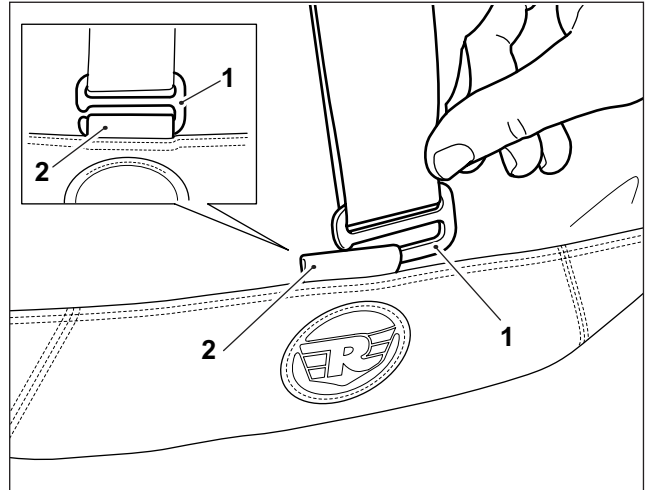


2 Attach the retaining clips (1) on the folded section of the pannier to the clip on the pannier body (2) to hold in position, one side of the pannier shown.



3 Close the pannier lid and secure the pannier lid retaining strap retainer (1) through the loop (2) on the front of the pannier, as shown.

Ensure the strap retainer (1) is fully located through the loop (2) on the pannier.



WARNING: Before riding a motorcycle fitted with accessory panniers always check that the panniers are securely attached to the pannier rails. Riding a motorcycle with insecure panniers fitted may cause the motorcycle to become unstable and result in an accident.

WARNING: Never overload the panniers, the maximum safe load for each pannier is 3Kg. (7 lbs.). Incorrect loading of the panniers could cause the motorcycle to become unstable and result in an accident.

WARNING: The fitment of panniers to the motorcycle will affect the stability and handling of the motorcycle. Failure to observe the changes in motorcycle stability and handling characteristics could result in an accident.