




Part Number:
KXA00248, KXA00263

Models: SUPER METEOR

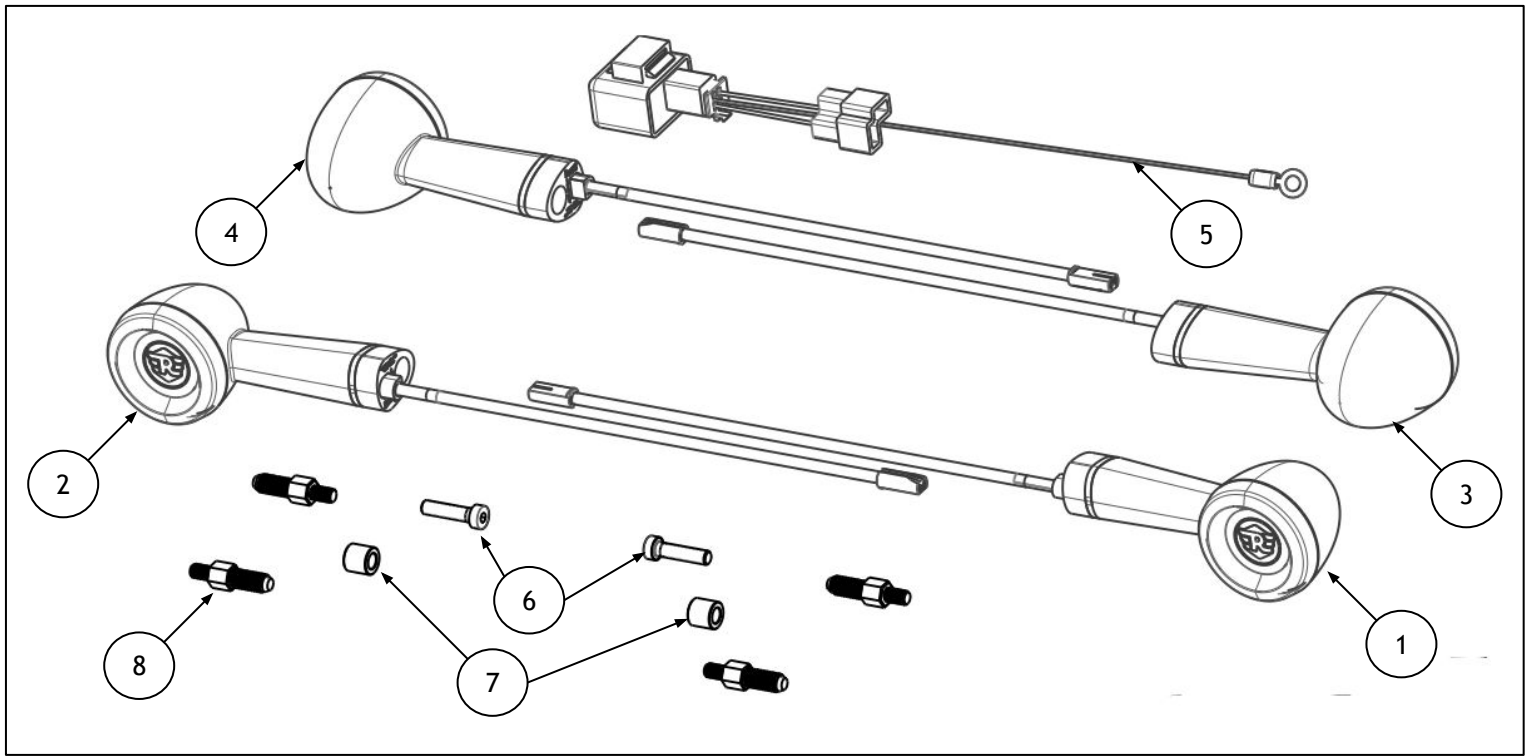
 **WARNING:** Royal Enfield genuine accessories are designed to fit only the specific Royal Enfield motorcycle(s) that are specified above. They should not be fitted to any other type of motorcycle. Pay particular attention to the warnings and cautions contained in this instruction, failure to do so may result in an incorrect installation of the accessory which could result in an unsafe riding condition and possible accident. If in any doubt always seek help from your authorised Royal Enfield dealer.

 **WARNING:** Before starting any accessory kit installation ensure the motorcycle is supported in a stable condition. Failure to support the motorcycle correctly could lead to motorcycle damage or personal injury.

 **WARNING:** All fixings must be tightened to the torque values specified in this instruction. Failure to tighten fixings to the correct torque could result in an unsafe riding condition and possible accident

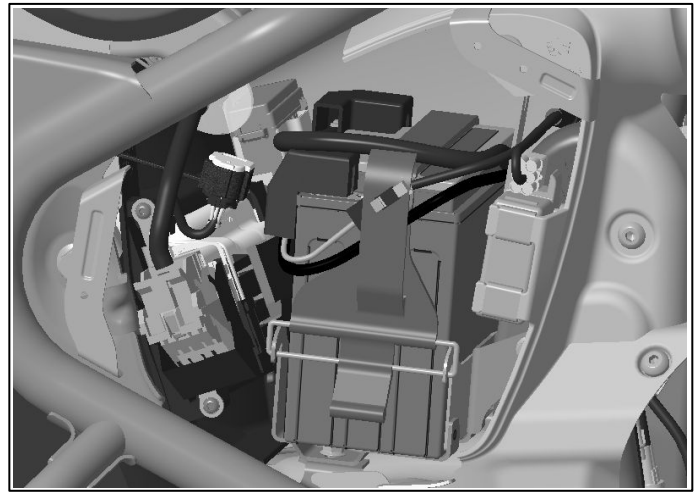
 **CAUTION:** Care should be taken when fitting any accessory kit. Incorrect handling of kit components or the use of incorrect tools could lead to component or motorcycle damage.

NOTE: The content of this instruction is subject to change at any time without notice or liability. Royal Enfield reserves the right to revise the information presented at any time.

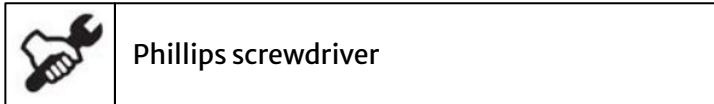
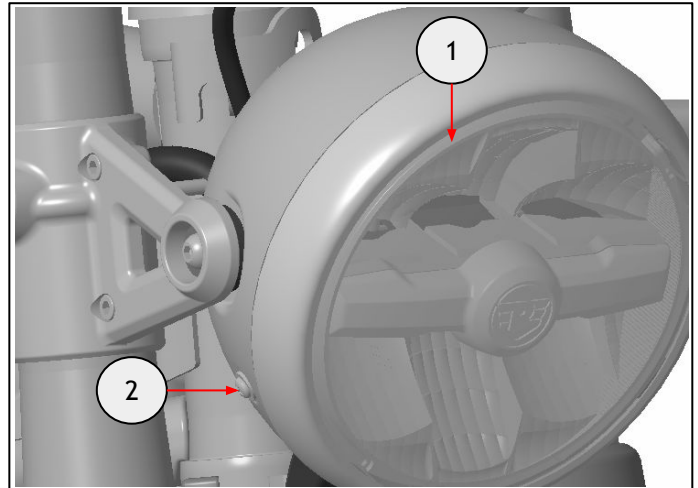


Item	Description	Qty
1	LED indicator, front, left hand	1
2	LED indicator, front, right hand	1
3	LED indicator, rear, left hand	1
4	LED indicator, rear, right hand	1
5	Electronic LED flasher	1
6	Fixing, M6 x 25	2
7	Bush	2
8	Stud, M6	4

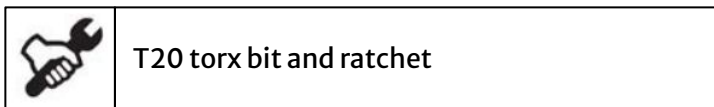
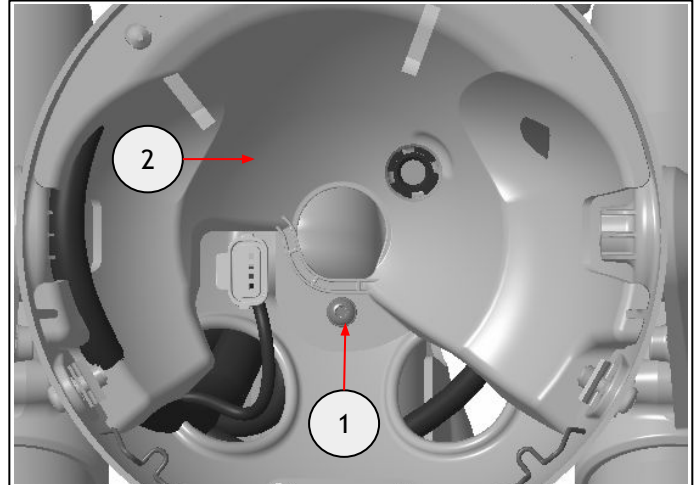
1 Remove the side cover and disconnect the battery, as described in the Owner's Manual.



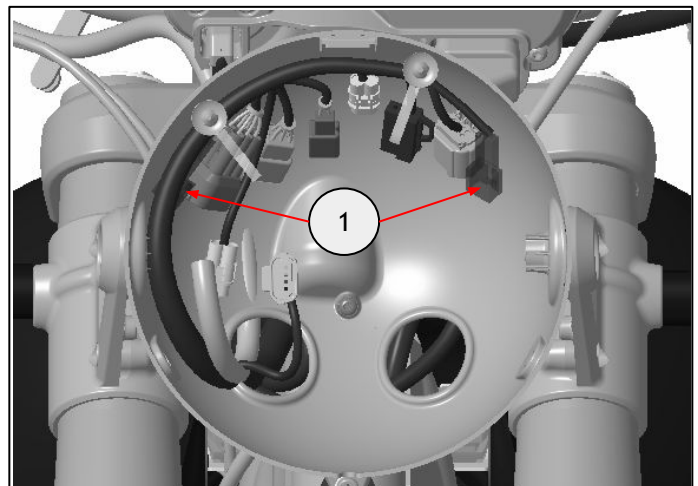
2 Remove the headlamp assembly (1) by removing the fixings (2). Disconnect the light connector. Retain both for reuse.



3 Remove the fixing (1) to remove the cover (2). Retain both for reuse.



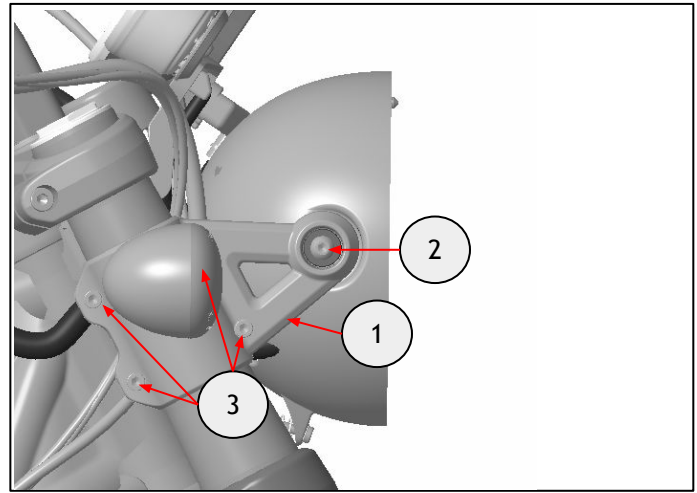
4 Disconnect the indicator connectors (1).



5 Remove the right hand side headlamp mount (1) by removing the headlamp fixing (2) and the mount fixings (3). Retain for reuse.



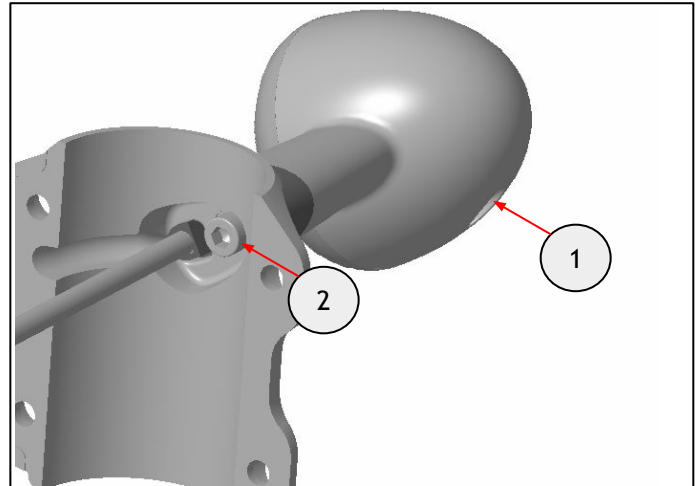
5mm hexagonal bit and ratchet



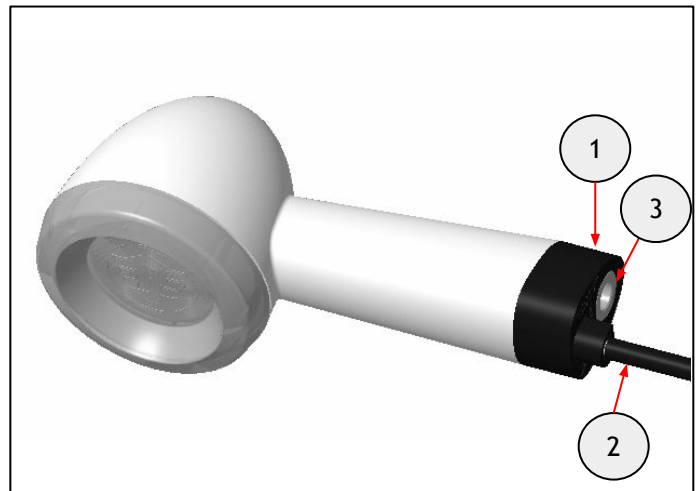
6 Remove the indicator assembly (1) by removing the fixing (2). Retain both for reuse if the motorcycle is to be returned to its original condition.



5mm hexagonal bit and ratchet



7 Slide the plastic isolator (1) over the indicator cable (2). Insert the spacer (3) from the kit into the isolator.



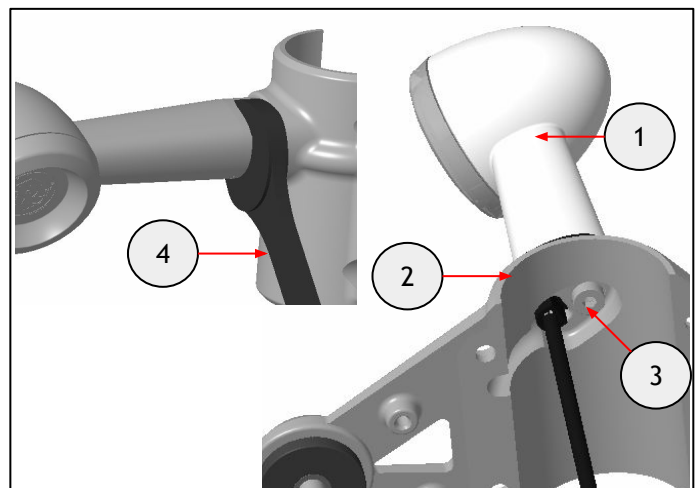
8 Fit the indicator (1) onto the headlamp mount (2) using the fixing (3) from the kit. While maintaining the indicator in position using a 24mm spanner (4), tighten the fixing to 5Nm.



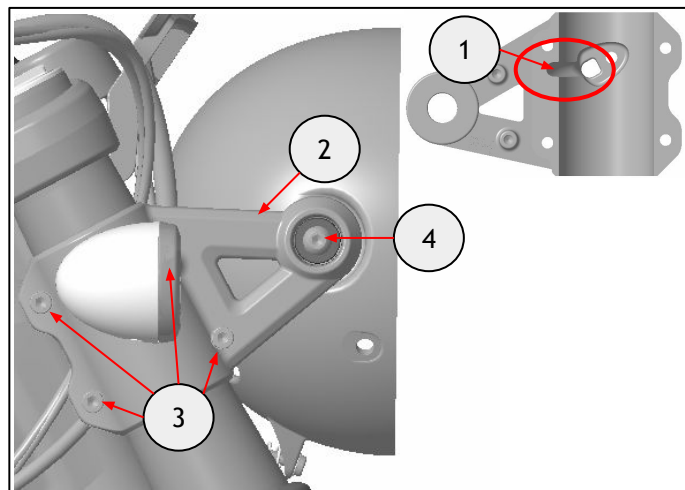
4mm hexagonal bit and torque wrench



24mm spanner

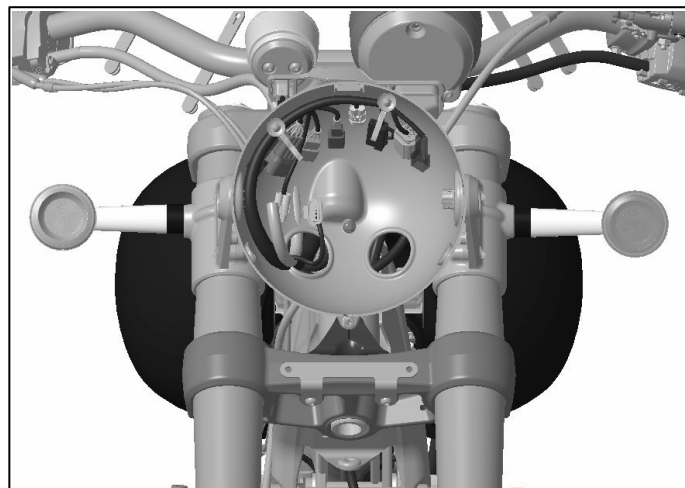


9 Fit the indicator cable through the groove (1). Fit the headlamp mount (2) on the suspension fork using the M6 x 14 mm fixings (3) removed in step 5. Fix the headlamp using the M8 x 25 mm fixings (4) removed in step 5. Tighten the mount fixings (3) to **10Nm**. Tighten the headlamp fixing (4) to **10Nm**.

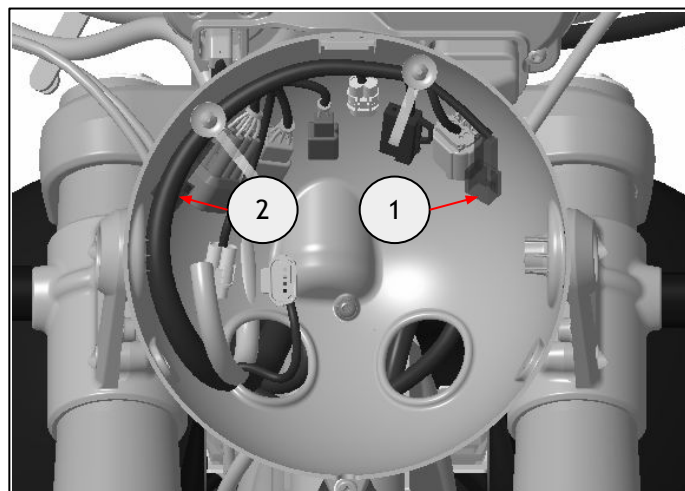


5mm hexagonal bit and torque wrench

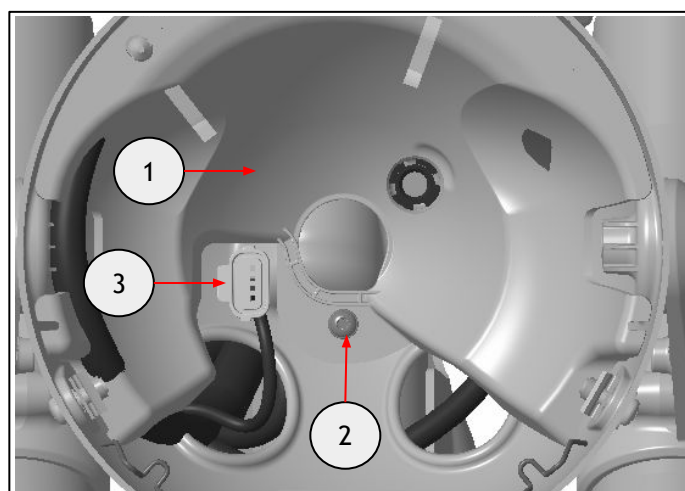
10 Repeat steps 5 to 9 on the left side.



11 Feed the indicator cables back through the holes in the headlamp bowl and reconnect the left indicator on the green connector (1) and the right indicator on the red connector (2).



12 Refit the cover (1) using the fixing (2) removed in step 3. Tighten the fixing to **1.5Nm**. Reconnect the headlamp connector (3).

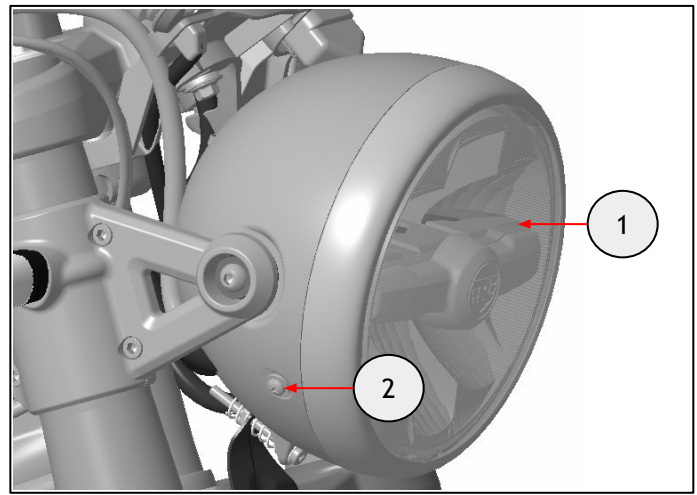


T20 torx bit and torque wrench

13 Refit the headlamp assembly (1) using the fixings (2) removed in step 2.
Tighten the fixings to **8Nm**.



Phillips bit and torque wrench



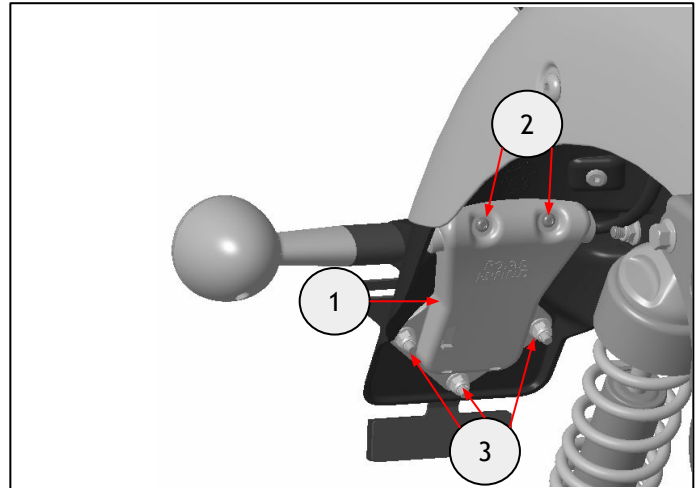
14 Remove the connectors cover (1) from the rear mudguard by removing the fixings (2) and nuts (3).
Retain for reuse.



T20 torx bit and ratchet



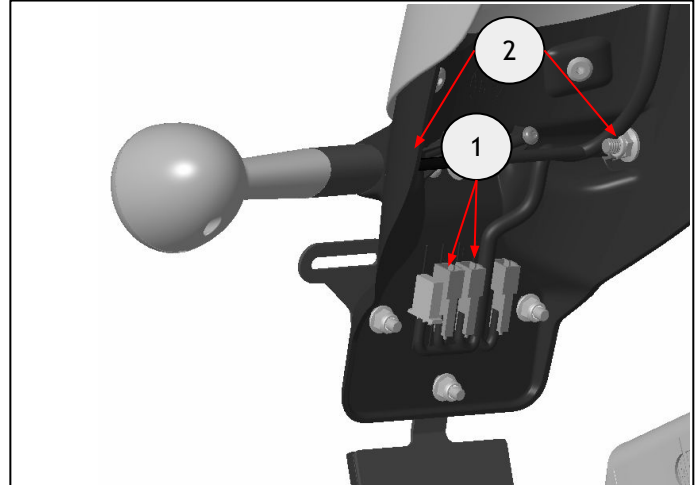
10mm socket and ratchet



15 Disconnect the indicator connectors (1). Remove the indicators by removing the nuts (2).
Retain the nuts for reuse. Retain the indicators for reuse if the motorcycle is to be returned to its original condition.



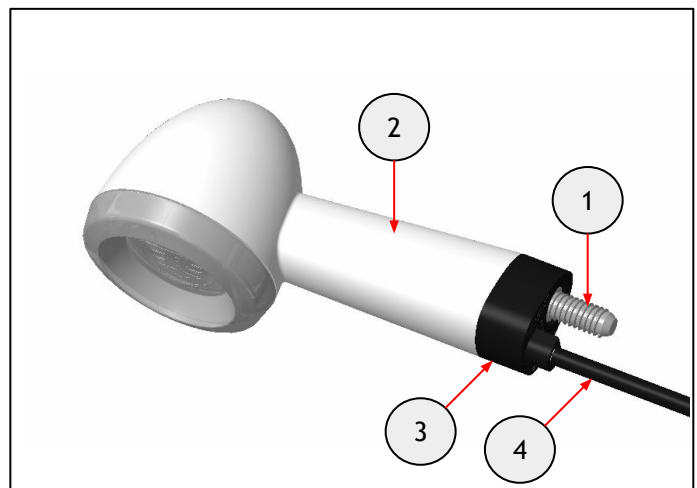
12mm socket and ratchet



16 Fit the studs (1) onto the indicators (2).
Tighten the studs to **5Nm**.
Slide the plastic isolators (3) over the indicator cables (4).



10mm socket and torque wrench



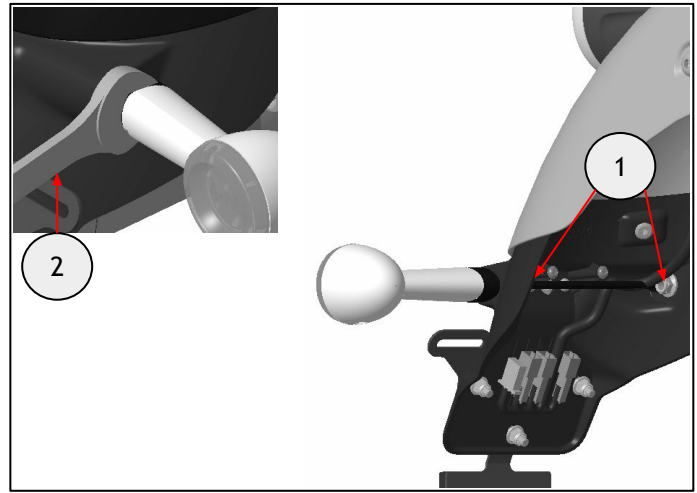
17 Fit the new indicators on the motorcycle using the nuts (1) removed in step 15. Plug the red connectors together and the green connectors together. While maintaining the indicators in position using a 24mm spanner (2), tighten the nuts to **5Nm**.



12mm socket and torque wrench



24mm spanner



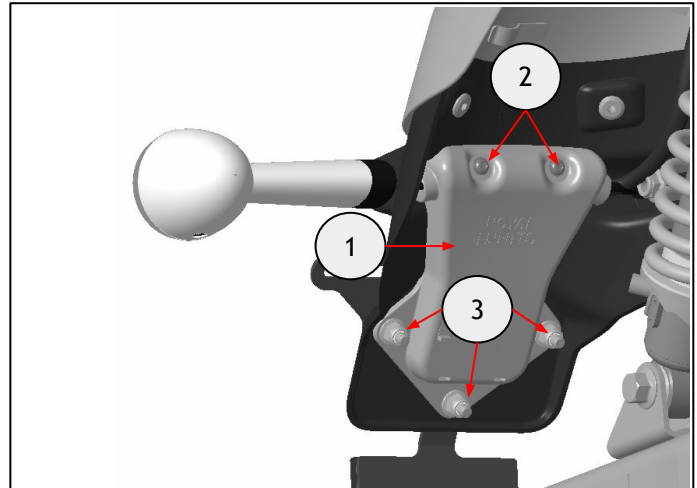
18 Refit the connectors cover (1) using the fixings (2) and nuts (3) removed in step 14. Tighten the fixings (2) to **1.5Nm**. Tighten the nuts (3) to **4Nm**.



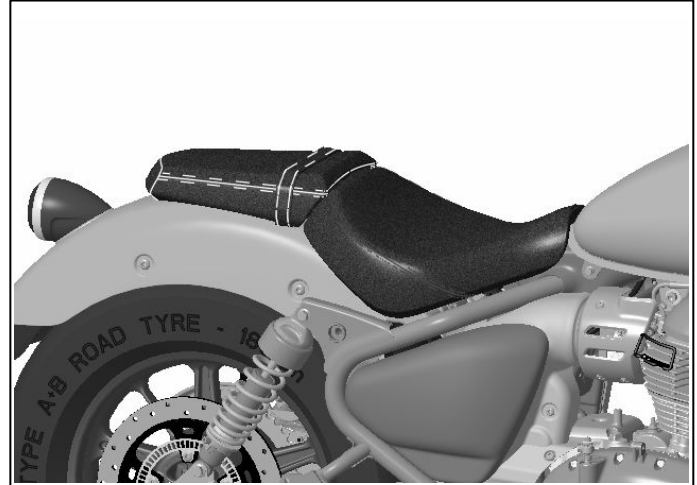
T20 torx bit and torque wrench



10mm socket and torque wrench



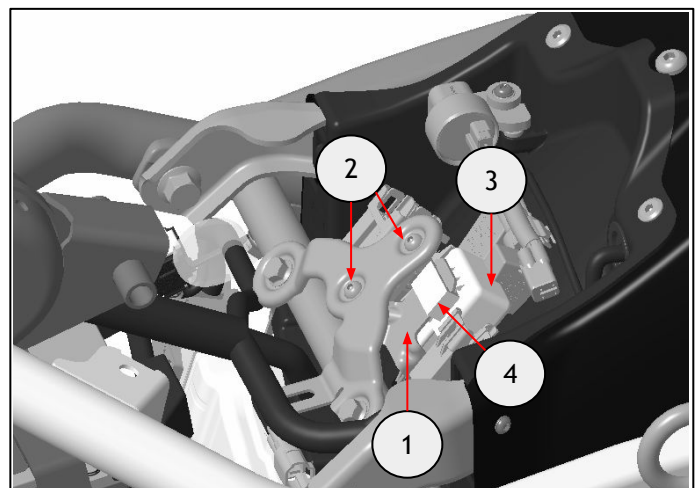
19 To replace the flasher unit, remove the rider seat as described in the owner's manual.



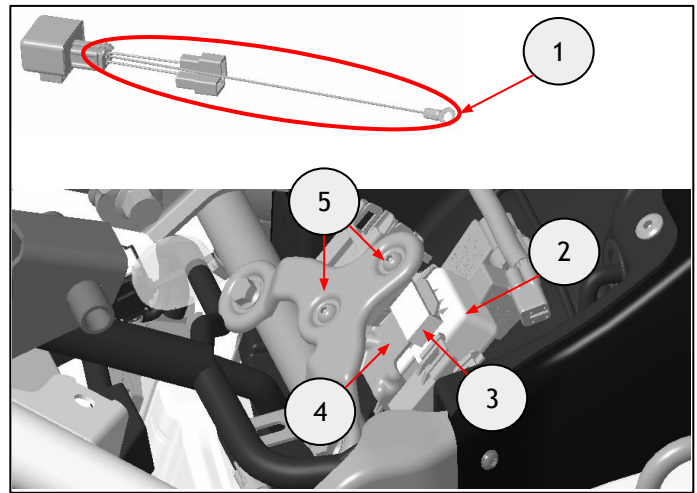
20 Remove the flasher bracket (1) by removing the fixings (2). Retain for reuse. Remove the factory flasher unit (3) by removing the rubber belt (4). Disconnect the unit from the harness. Retain the flasher unit for reuse if the motorcycle is to be returned to its original condition.



3mm hexagonal bit and ratchet

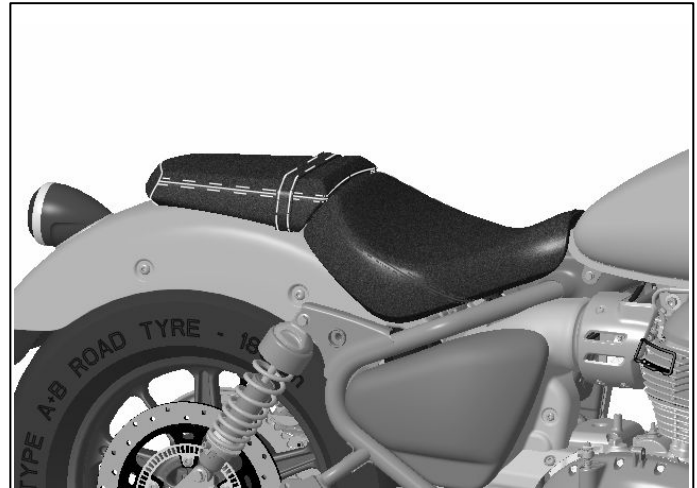


21 Remove the extension wiring (1), which is not required for this model. Connect the flasher unit (2) into the factory connector then refit the rubber belt (3) to secure the new unit. Fix the flasher bracket (4) using the fixings (5) removed in step 20.
Tighten the fixings (5) to **7Nm**.

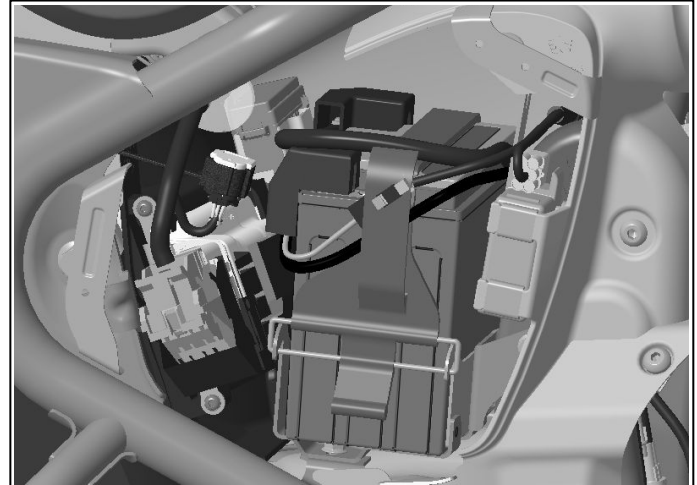


3mm hexagonal bit and torque wrench

22 Refit the rider seat as described in the owner's manual.



23 Reconnect the battery and reassemble the side cover, as described in the Owner's Manual.



WARNING: After fitting any genuine Royal Enfield accessory always ride the motorcycle with caution and allow time to become familiar with any change in the motorcycle handling characteristics. Failure to become familiar with any change in the motorcycle handling characteristics may cause the motorcycle to become unstable and result in an accident.