

Part Number:

1990404

Models:

Interceptor GT650 (2018 onwards)

INT 650 (US only) (2018 onwards)

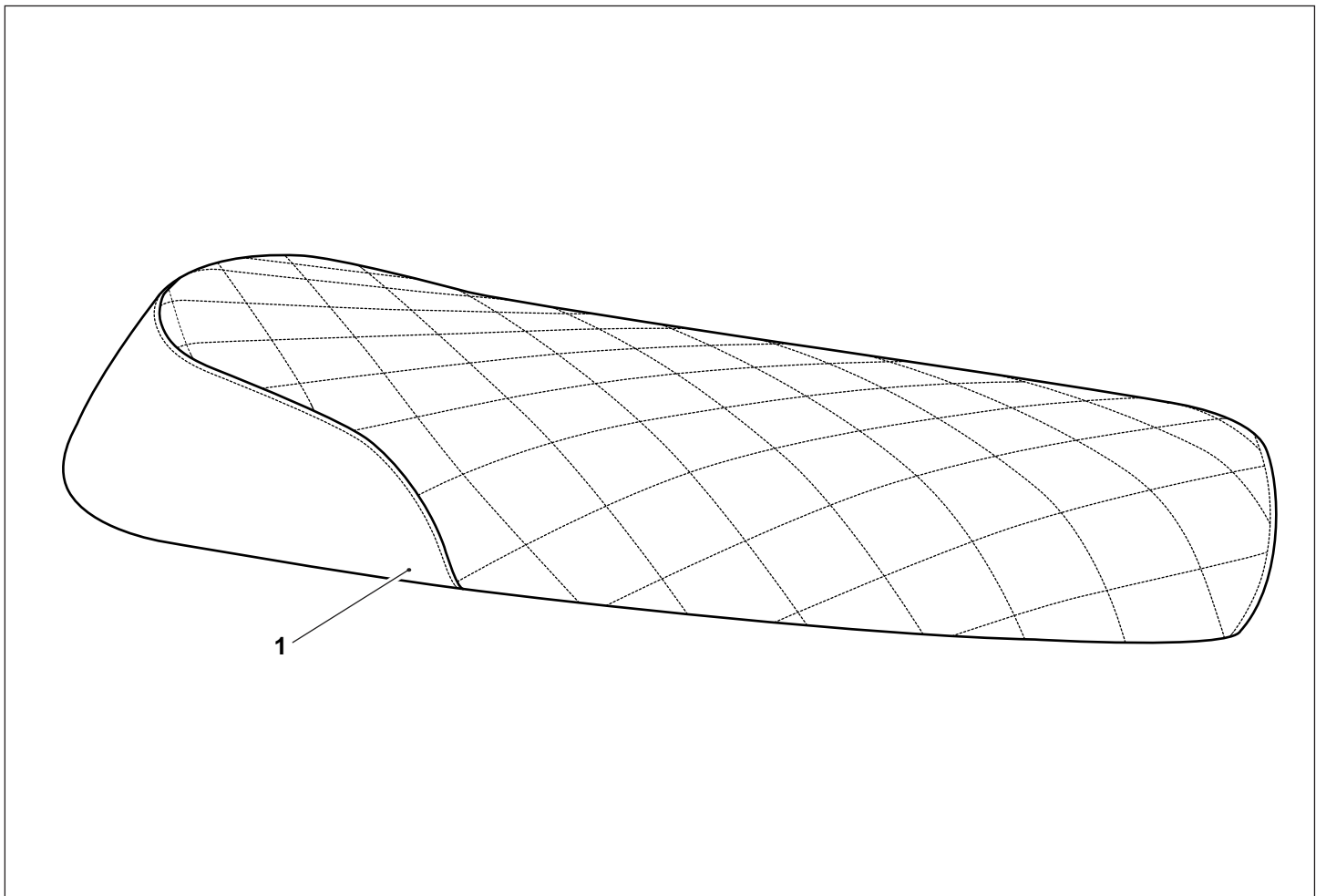
WARNING: Royal Enfield genuine accessories are designed to fit only the specific Royal Enfield motorcycle(s) that are specified above. They should not be fitted to any other type of motorcycle. Pay particular attention to the warnings and cautions contained in this instruction, failure to do so may result in an incorrect installation of the accessory which could result in an unsafe riding condition and possible accident. If in any doubt always seek the help from your authorised Royal Enfield dealer.

WARNING: Before starting any accessory kit installation ensure the motorcycle is supported in a stable condition. Failure to support the motorcycle correctly could lead to motorcycle damage or personal injury.

WARNING: All fixings must be tightened to the torque values specified in this instruction. Failure to tighten fixings to the correct torque could result in an unsafe riding condition and possible accident.

CAUTION: Care should be taken when fitting any accessory kit. Incorrect handling kit components or the use of incorrect tools could lead to component or motorcycle damage.

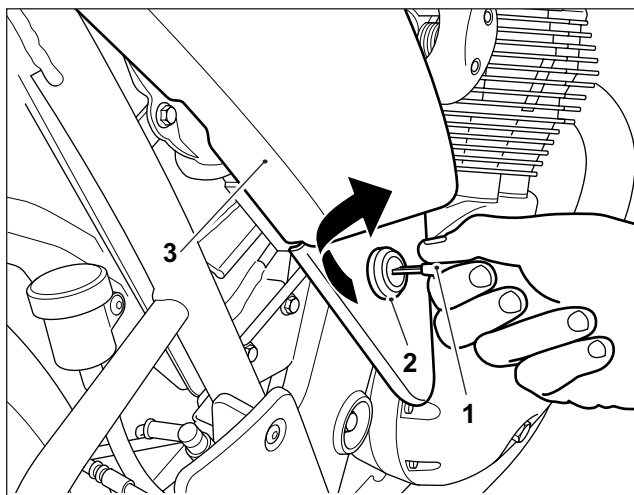
NOTE: The content of this instruction is subject to change at any time without notice or liability. Royal Enfield reserves the right to revise the information presented at any time.



Item	Description	Qty
1	Seat	1

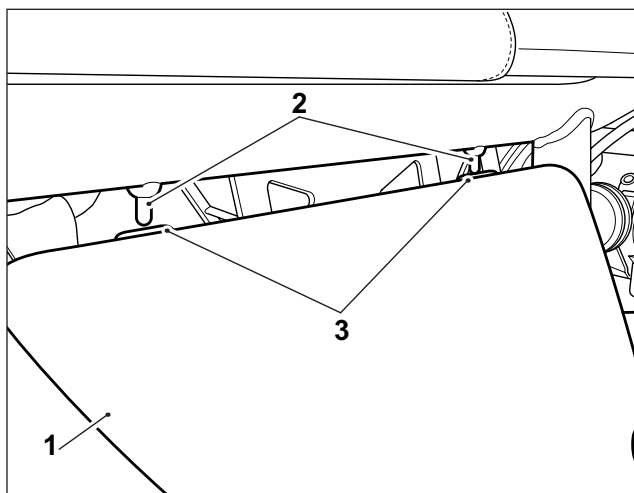
1 Insert the ignition key (1) into the lock (2) in the side panel (3) on the right hand side of the motorcycle.

Turn the key in a clockwise direction to release the side panel and carefully pull the bottom of the side panel outwards.

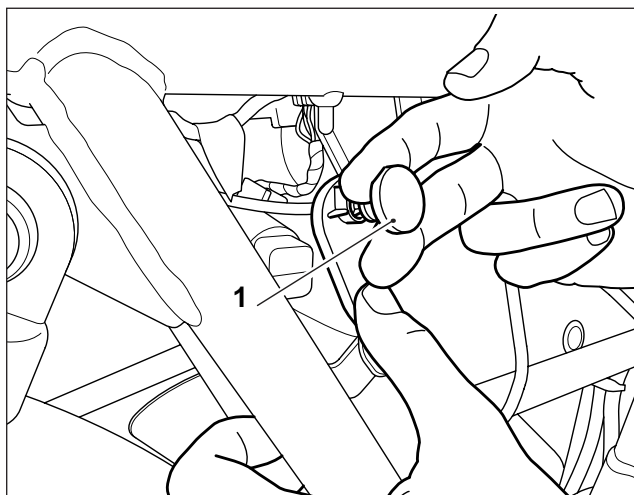


2 Remove the top of the side panel (1) from the retaining pegs (2) on the motorcycle frame. Ensure the grommets (3) remain correctly located in the side panel.

Retain the side panel for reuse.

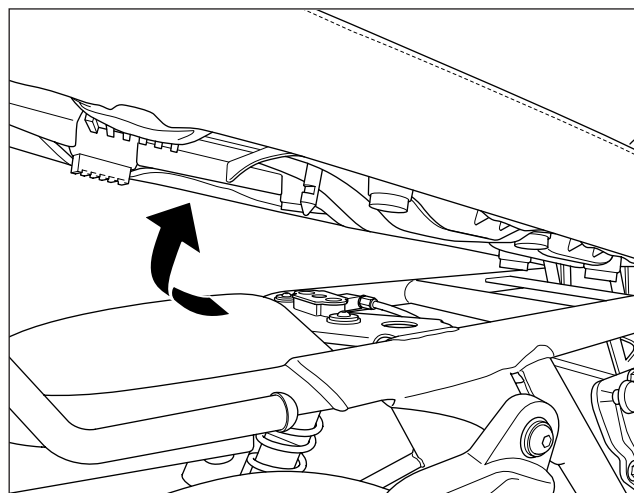


3 Pull the seat latch cable handle (1) to release the seat latch.

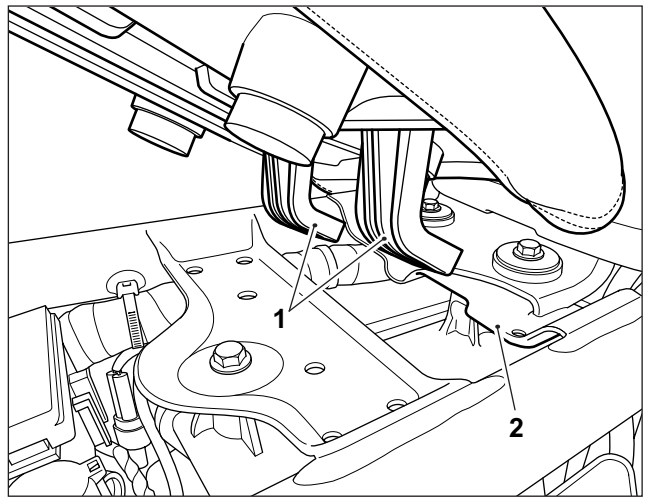


4 Lift the seat clear from the motorcycle.

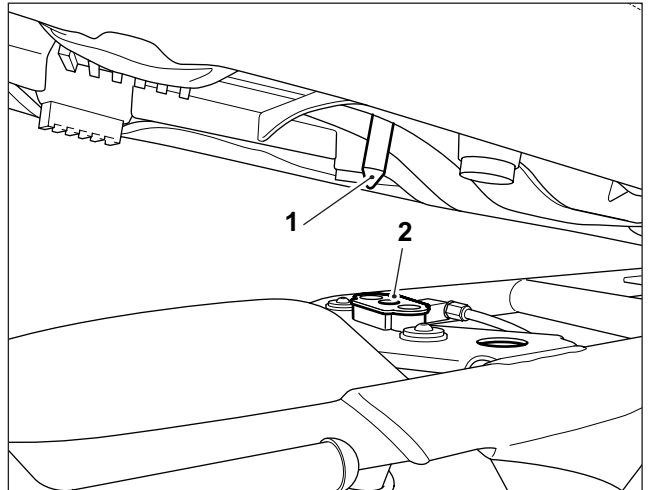
Retain the original seat for reuse if the sport seat is removed.



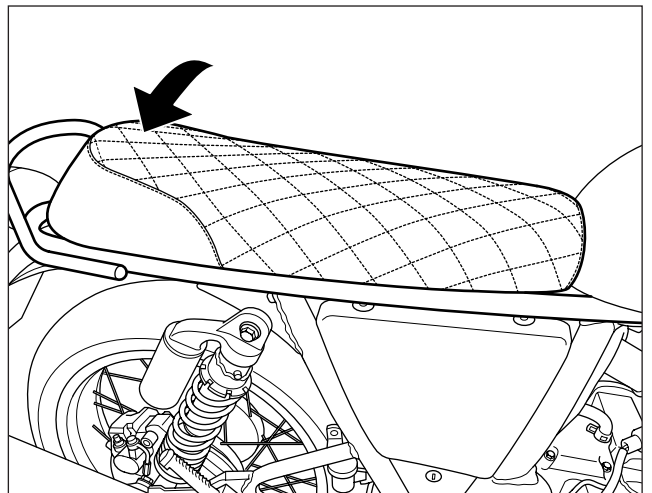
5 Fit the accessory dual seat to the motorcycle ensuring the front seat retainers (1) locate correctly in the motorcycle frame (2).



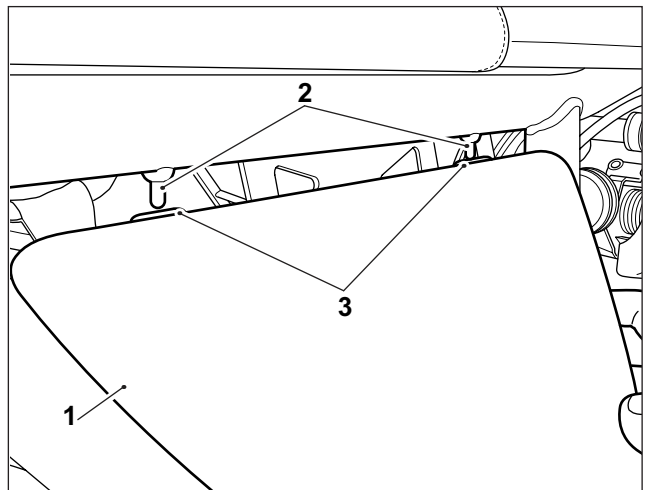
6 Lower the rear of the seat ensuring the seat retaining peg (1) is aligned correctly with the seat latch assembly (2).



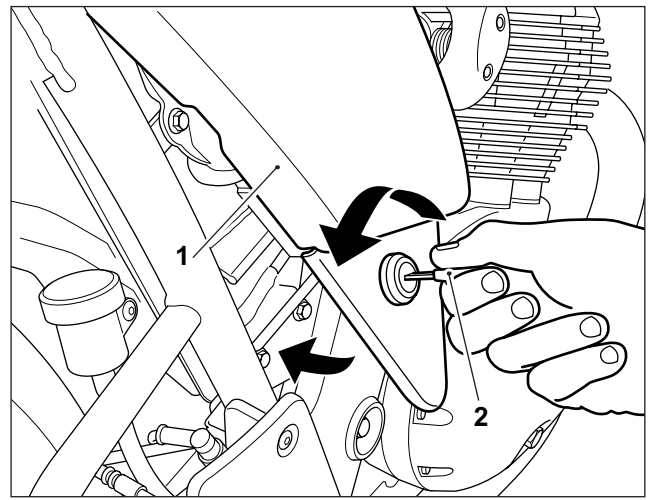
7 Push the rear of the seat down to engage in the seat latch.



8 Refit the right hand side panel (1) to the retaining pegs (2) on the motorcycle frame. Ensure the grommets (3) remain correctly located in the side panel.



9 Push the bottom of the side panel (1) in towards the motorcycle frame. Turn the ignition key (2) in an anti-clockwise direction to lock the side panel in position. Remove the ignition key.



WARNING: Pull the rear of the seat upwards to check the seat is securely attached to the motorcycle. If the seat is not correctly secured to the motorcycle it may allow movement or possible detachment of the seat while riding. A loose or detached seat may cause the motorcycle to become unstable and result in an accident.

WARNING: After fitting any genuine Royal Enfield accessory always ride the motorcycle with caution and allow time to become familiar with any change in the motorcycle handling characteristics. Failure to become familiar with any change in the motorcycle handling characteristics may cause the motorcycle to become unstable and result in an accident.