

Part Number:

1990667 - Rider Seat Cover - Black
1990672 - Rider & Passenger Seat Covers - Black

Models:

Classic 350cc, Classic 500cc

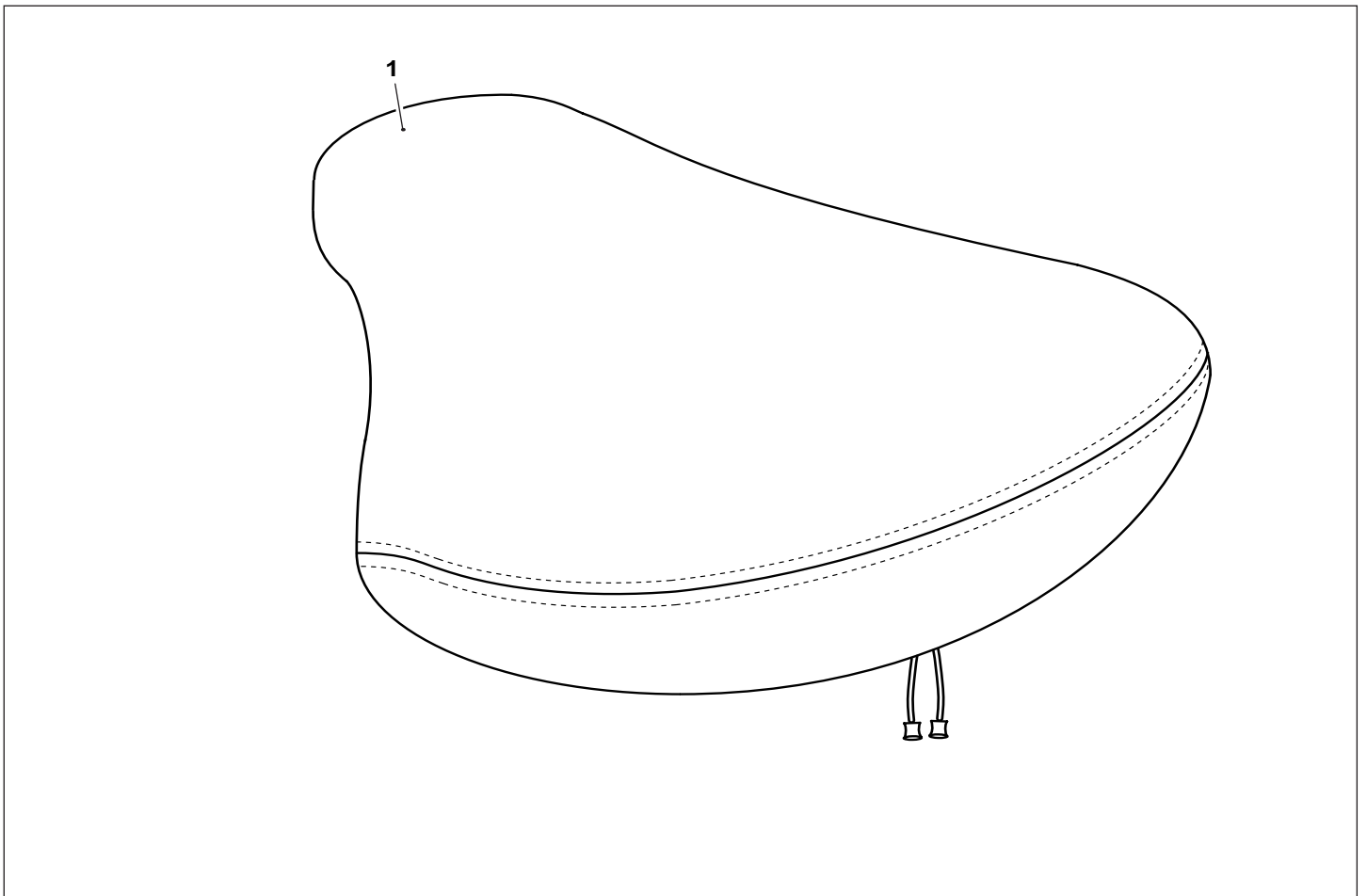
WARNING: Royal Enfield genuine accessories are designed to fit only the specific Royal Enfield motorcycle(s) that are specified above. They should not be fitted to any other type of motorcycle. Pay particular attention to the warnings and cautions contained in this instruction, failure to do so may result in an incorrect installation of the accessory which could result in an unsafe riding condition and possible accident. If in any doubt always seek the help from your authorised Royal Enfield dealer.

WARNING: Before starting any accessory kit installation ensure the motorcycle is supported in a stable condition. Failure to support the motorcycle correctly could lead to motorcycle damage or personal injury.

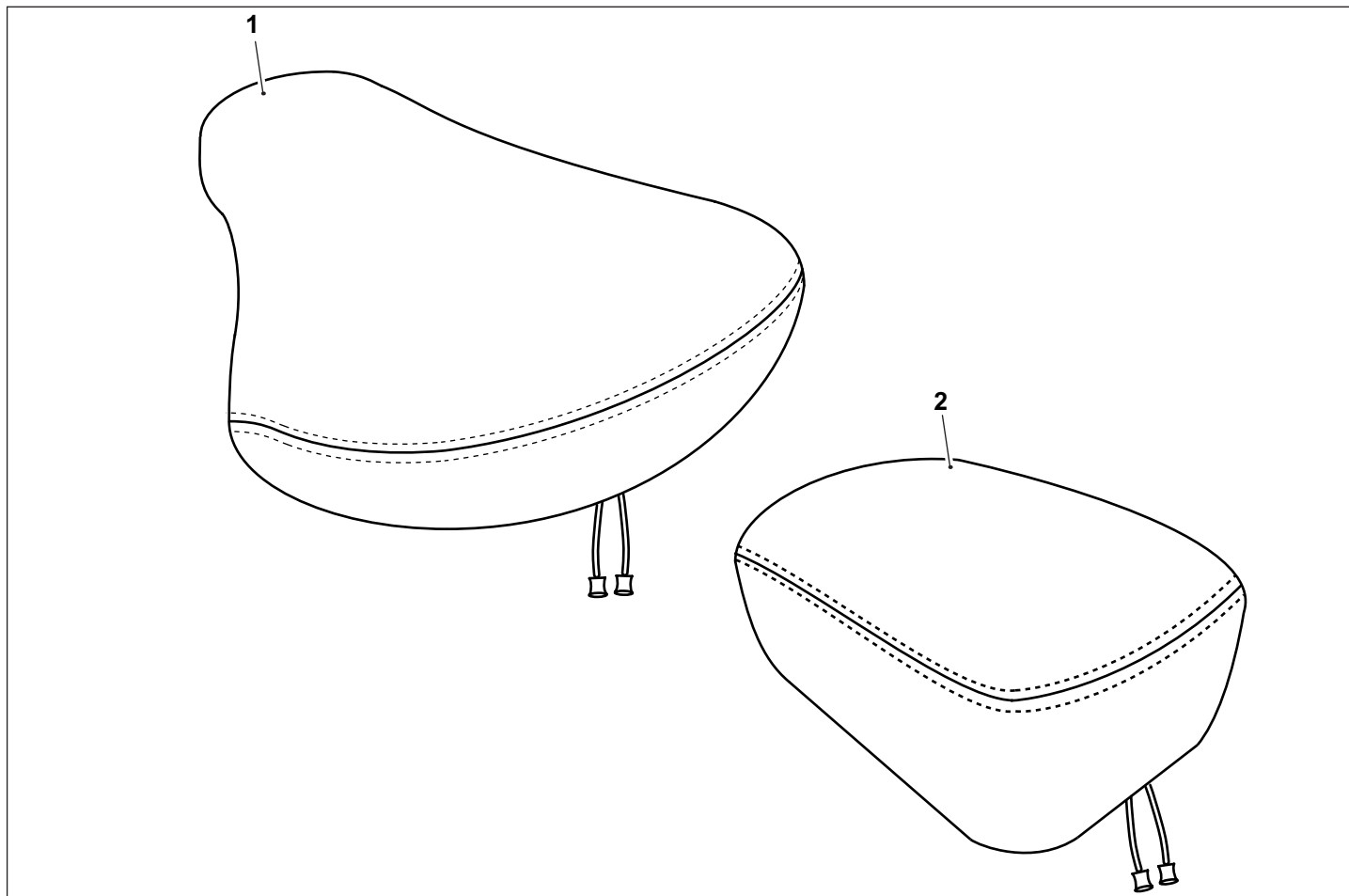
WARNING: All fixings must be tightened to the torque values specified in this instruction. Failure to tighten fixings to the correct torque could result in an unsafe riding condition and possible accident.

CAUTION: Care should be taken when fitting any accessory kit. Incorrect handling kit components or the use of incorrect tools could lead to component or motorcycle damage.

NOTE: The content of this instruction is subject to change at any time without notice or liability. Royal Enfield reserves the right to revise the information presented at any time.

1990667

Item	Description	Qty
1	Rider seat cover	1

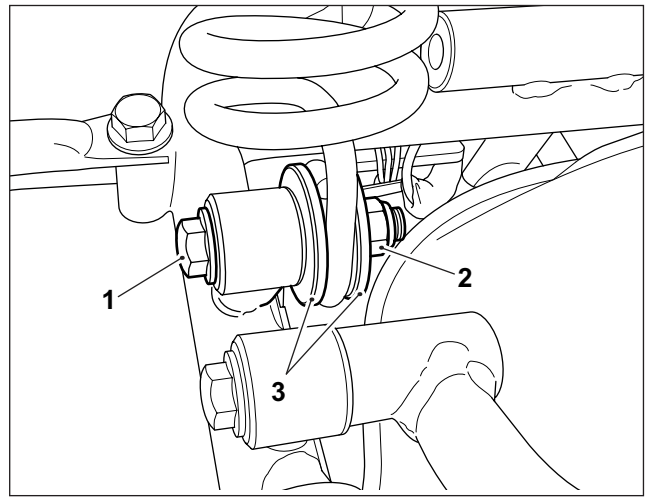


Item	Description	Qty
1	Rider seat cover	1
2	Passenger seat cover	1

Rider Seat

1 Remove the seat rear fixings (1), nuts (2) and spring collars (3) from the left hand side of the motorcycle. Retain the fixings (1), nuts (2) and spring collars (3) for reuse.

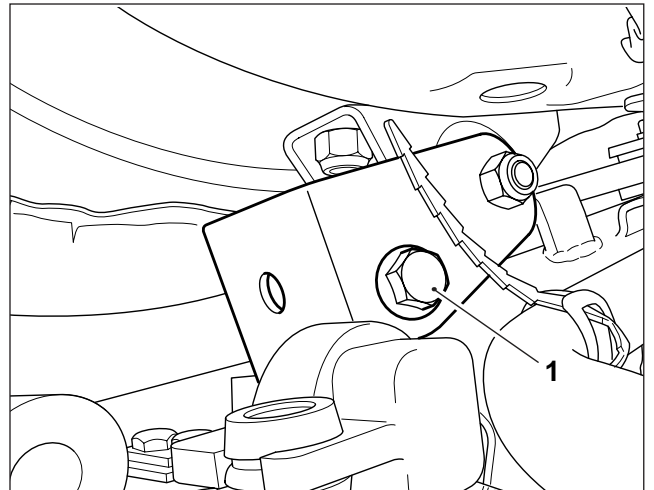
Repeat for the right hand side of the seat.



2 Remove the front seat fixing (1) from the right hand side of the motorcycle. Remove the seat.

NOTE: California models only.

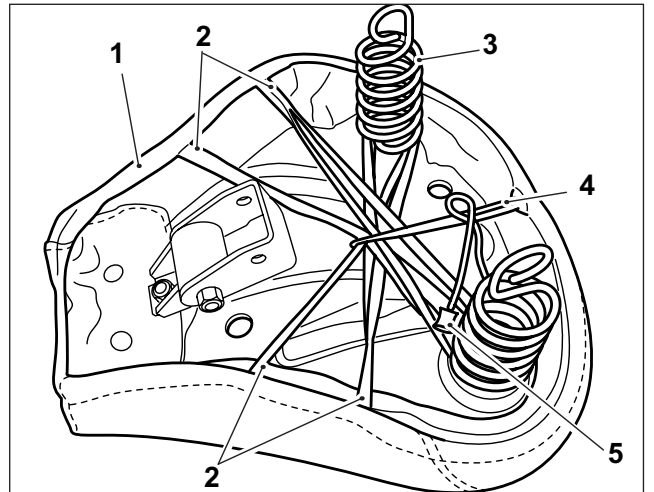
For models carrying emission vent pipes, the pipework must be re-routed under the frame rails.



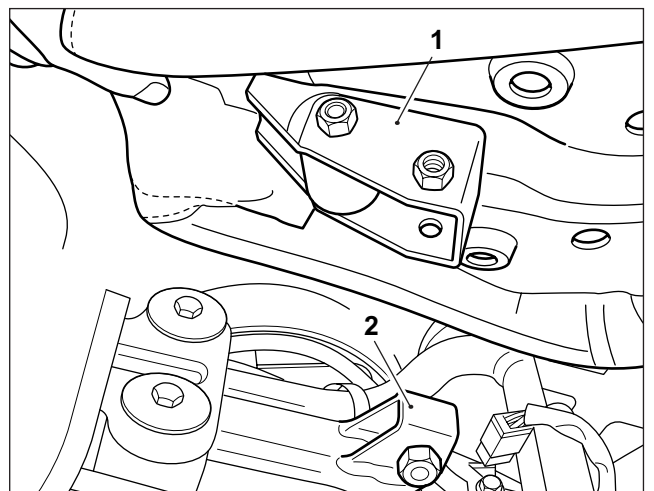
3 Ensure the seat is clean and completely dry. Place the seat, cushion side down, on a clean flat work surface. Working from the front, position the seat cover (1) over the seat cushion.

Fasten the seat cover retaining straps (2) across the seat and around the seat springs (3), as shown. Wrap the cords (4) at the rear of the seat cover around the seat retaining straps, pull the cords tight and tie the cords together to secure the seat cover.

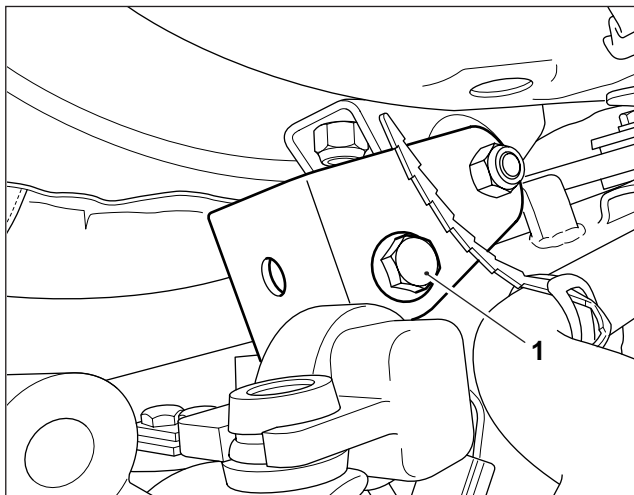
NOTE: Ensure when the seat strap cords (4) have been tightened that the cord ends (5) are retained under the seat and not allowed to hang free from below the seat when the seat is refitted.



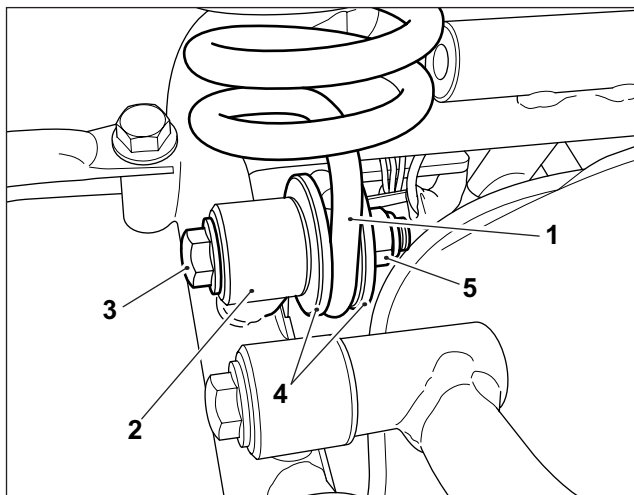
10 Refit seat on to the motorcycle aligning the seat front mounting bracket (1) with the mounting (2) on the motorcycle frame.



11 Fit the original seat front fixing (1) from the right hand side of the motorcycle, as shown. Do not fully tighten the fixing at this stage.



12 Align the left hand seat spring mounting (1) with the original seat mounting point (2) on the motorcycle frame. Loosely fit one of the original fixings (3), the collars (4) and nut (5) ensuring the collars (4) locate correctly in the spring mounting (1), as shown.

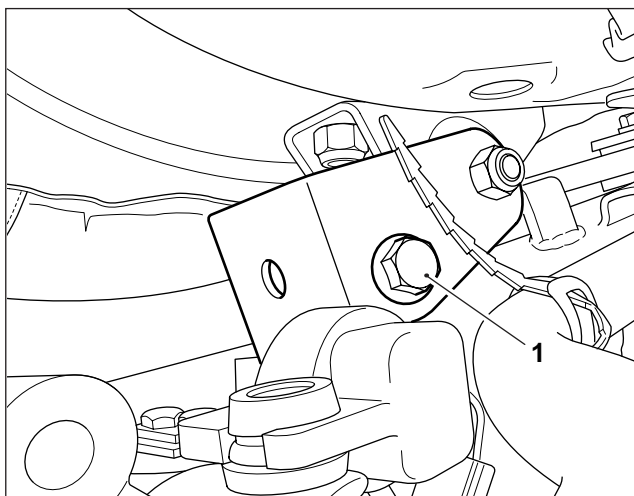


Repeat for the right hand side of the seat.

Tighten spring fixings (3) to **25 Nm**

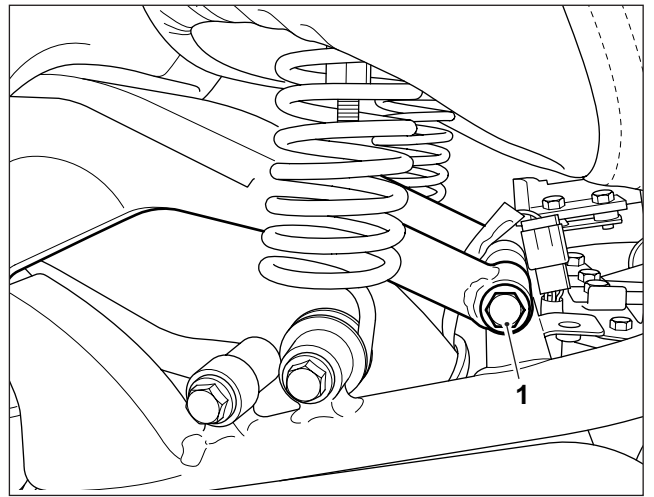
13 Tighten the front seat mounting fixing (1) to **25 Nm**.

⚠ WARNING: Check the seat is securely attached to the motorcycle. If the seat is not correctly secured to the motorcycle it may allow movement or possible detachment of the seat while riding. A loose or detached seat may cause the motorcycle to become unstable and result in an accident.

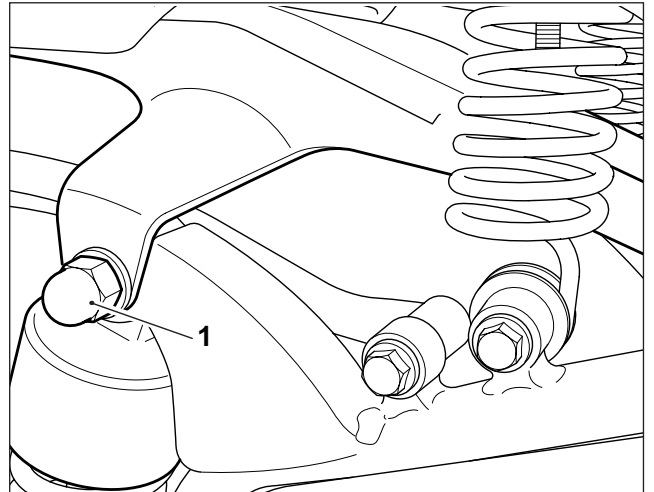


Passenger Seat

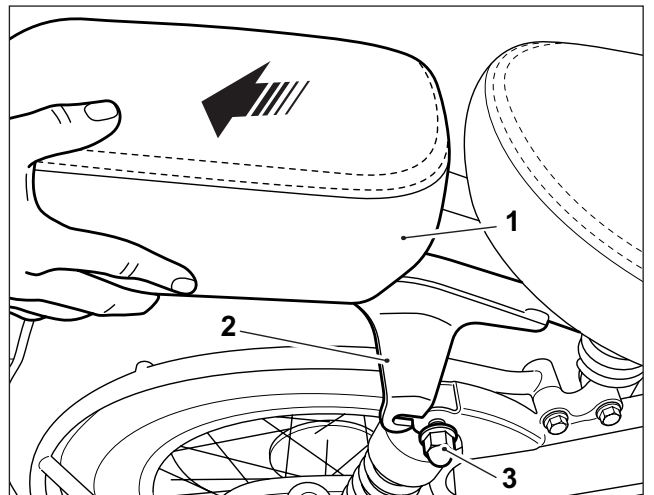
1 Remove the passenger seat mounting bracket front fixing (1) from the right hand side of the motorcycle. Retain the fixing for reuse.



2 Loosen the top rear suspension mounting nuts (1) on both sides of the motorcycle, right hand side shown. Do not remove the rear suspension mounting nuts.

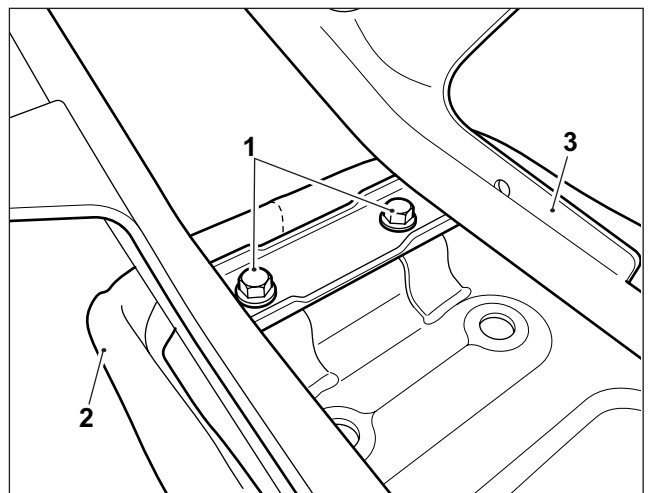


3 Carefully slide the passenger seat assembly (1) towards the rear of the motorcycle to disengage the seat mounting bracket (2) from the rear suspension fixings (3), right hand side shown. Remove the seat assembly from the motorcycle.



CAUTION: When removing the passenger seat and mounting bracket assembly ensure the assembly is kept clear of the rear mudguard. If the passenger seat and mounting bracket assembly are allowed to contact the rear mudguard it could result in damage to the mudguard finish.

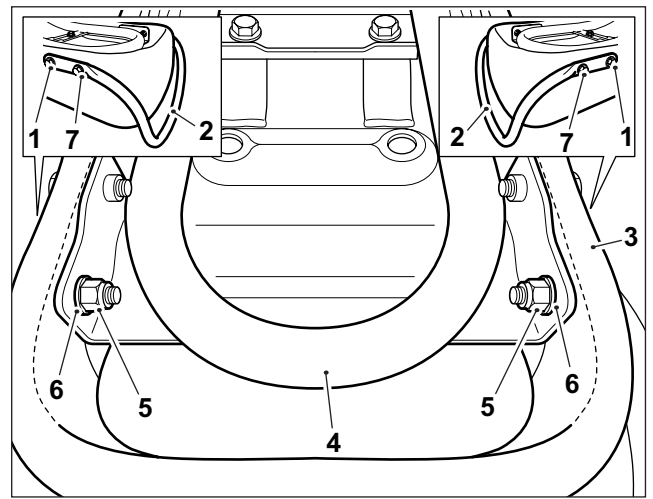
4 Place the seat assembly, cushion side down, on a clean flat surface. Remove the two fixings (1) retaining the front of the passenger seat (2) to the mounting bracket (3). Retain the fixings for reuse..



5 Remove the fixings (1) retaining the front of the grab rail (2) to the seat (3) and mounting bracket (4). Remove the nuts (5), washers (6) and fixings (7) retaining the rear of the grab rail. Carefully remove the grab rail from the passenger seat

Retain the grab rail, fixings, nuts and washers for reuse.

Remove the mounting bracket from the passenger seat. Retain the mounting bracket for reuse.

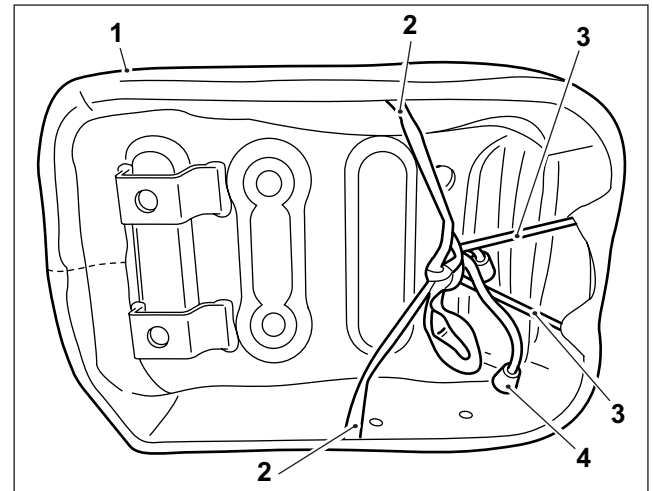


6 Ensure the seat is clean and completely dry.

Place the seat, cushion side down, on a clean flat work surface. Working from the front, position the seat cover (1) over the seat cushion.

Fasten the seat cover retaining straps (2) across the seat, as shown. Wrap the cords (3) at the rear of the seat cover around the seat retaining straps, pull the cord tight and tie the cords together to secure the seat cover.

NOTE: Ensure when the seat strap cords (3) have been tightened that the cord ends (4) are retained under the seat and not allowed to hang free from below the seat when the seat is refitted.

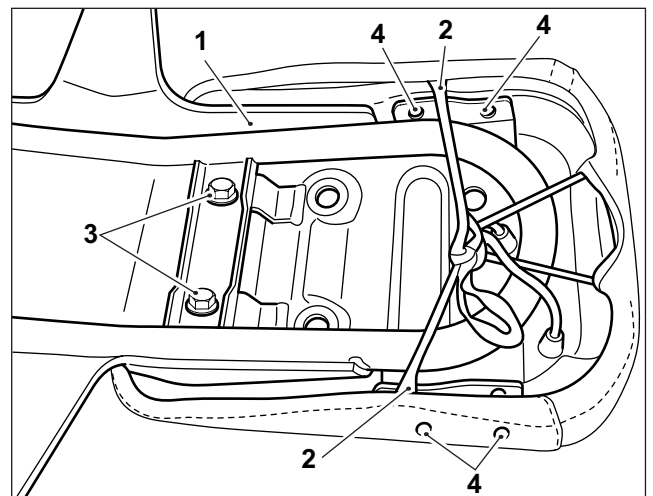


7 Refit the mounting bracket (1) to the passenger seat ensuring it is positioned under the seat cover retaining straps (2), as shown. Refit the original mounting bracket fixings (3). Do not fully tighten the fixings at this stage.

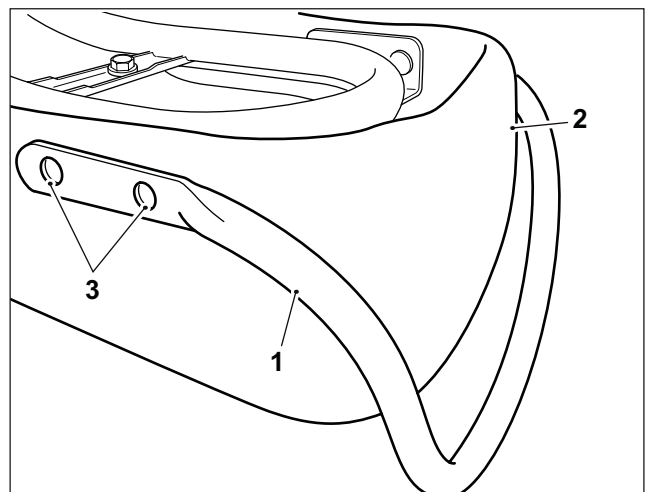
Using a bradawl, or similar sharp tool, Pierce through the seat cover at the four grab rail fixing positions (4).



CAUTION: Ensure the seat cover or passenger seat are not damaged when piercing the grab rail fixing holes in the seat cover.



8 Position the original grab rail (1) over the seat cover (2) on the passenger seat in the orientation shown and align the fixing positions (3) of the grab rail, seat cover, passenger seat and mounting bracket.



9 Fit the front grab rail fixings (1), through the passenger seat in to the captive nuts (2) on the mounting bracket.

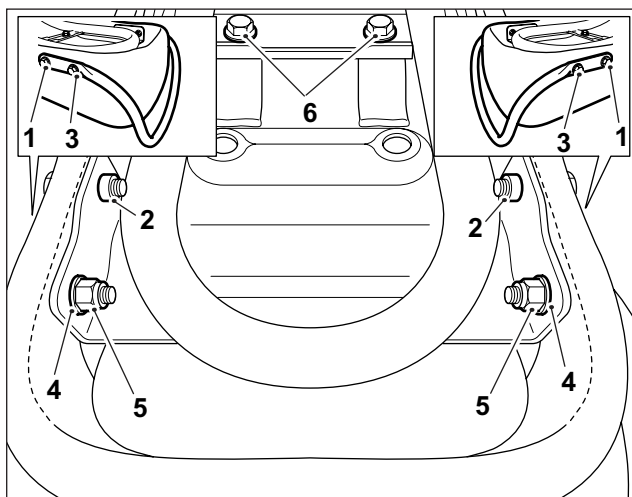
Fit the original rear grab rail fixings (3), washers (4) and nuts (5).

Do not fully tighten any of the grab rail fixings at this stage.

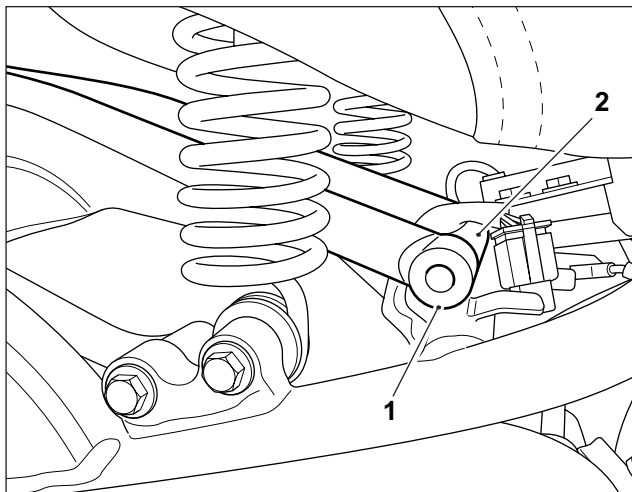
NOTE: The seat cover retaining straps are not shown for clarity.

Tighten the passenger seat mounting bracket fixings (6) to **25 Nm**.

Tighten the four grab rail fixings (1 & 3) to **10 Nm**.



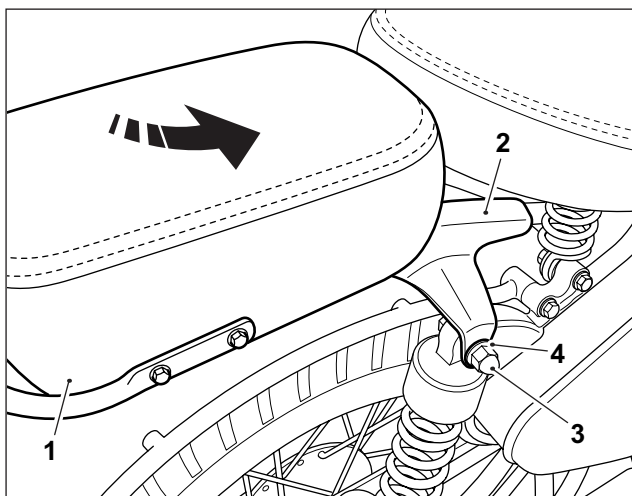
10 Carefully position the front of the passenger seat mounting bracket (1) under the rider seat and locate the mounting bracket correctly on the frame mounting (2).



11 Lower the passenger seat and mounting bracket assembly (1) and slide the assembly forwards to engage the mounting brackets (2) on the rear suspension fixings (3), right hand side shown.

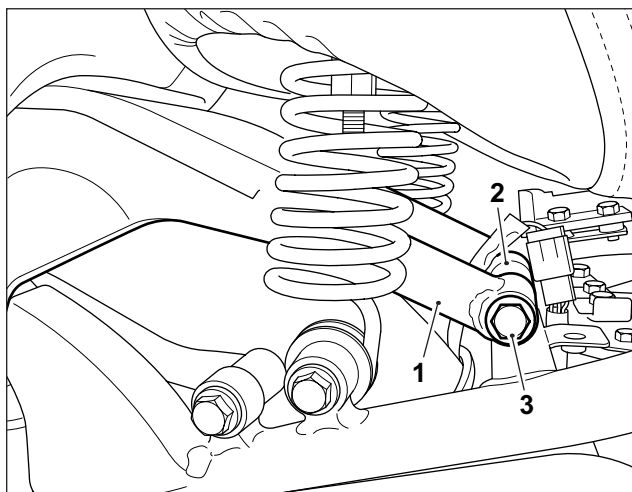
Ensure the mounting bracket is located behind the washers (4) on the rear suspension fixings, as shown.

CAUTION: When fitting the passenger seat and mounting bracket assembly ensure the assembly is kept clear of the rear mudguard. If the passenger seat and mounting bracket assembly are allowed to contact the rear mudguard it could result in damage to the mudguard finish.



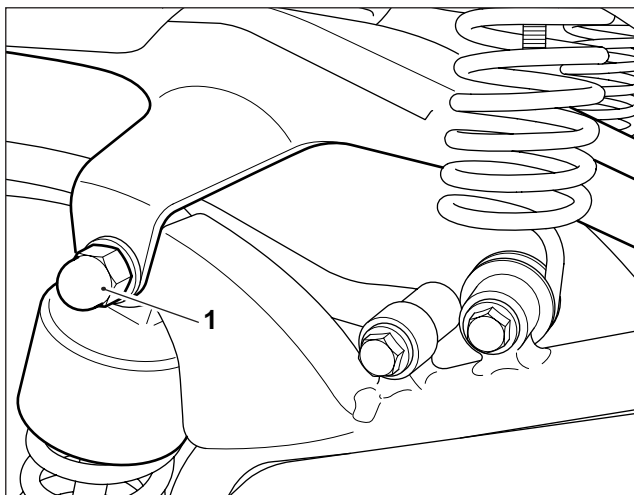
12 Align the front fixing positions of the passenger seat mounting bracket (1) with the mounting position on the motorcycle frame (2).

Fit the original fixing (3) from the right hand side of the motorcycle. Tighten the fixing to **25 Nm**.



13 Tighten the rear suspension fixings (1) on both sides of the motorcycle to **40 Nm**, right hand side shown.

WARNING: Check the seat is securely attached to the motorcycle. If the seat is not correctly secured to the motorcycle it may allow movement or possible detachment of the seat while riding. A loose or detached seat may cause the motorcycle to become unstable and result in an accident.



WARNING: After fitting any genuine Royal Enfield accessory always ride the motorcycle with caution and allow time to become familiar with any change in the motorcycle handling characteristics. Failure to become familiar with any change in the motorcycle handling characteristics may cause the motorcycle to become unstable and result in an accident.