

**Part Number:**

1990664

**Models:**

Classic 350cc, Classic 500cc  
Bullet

**WARNING:** Royal Enfield genuine accessories are designed to fit only the specific Royal Enfield motorcycle(s) that are specified above. They should not be fitted to any other type of motorcycle. Pay particular attention to the warnings and cautions contained in this instruction, failure to do so may result in an incorrect installation of the accessory which could result in an unsafe riding condition and possible accident. If in any doubt always seek the help from your authorised Royal Enfield dealer.

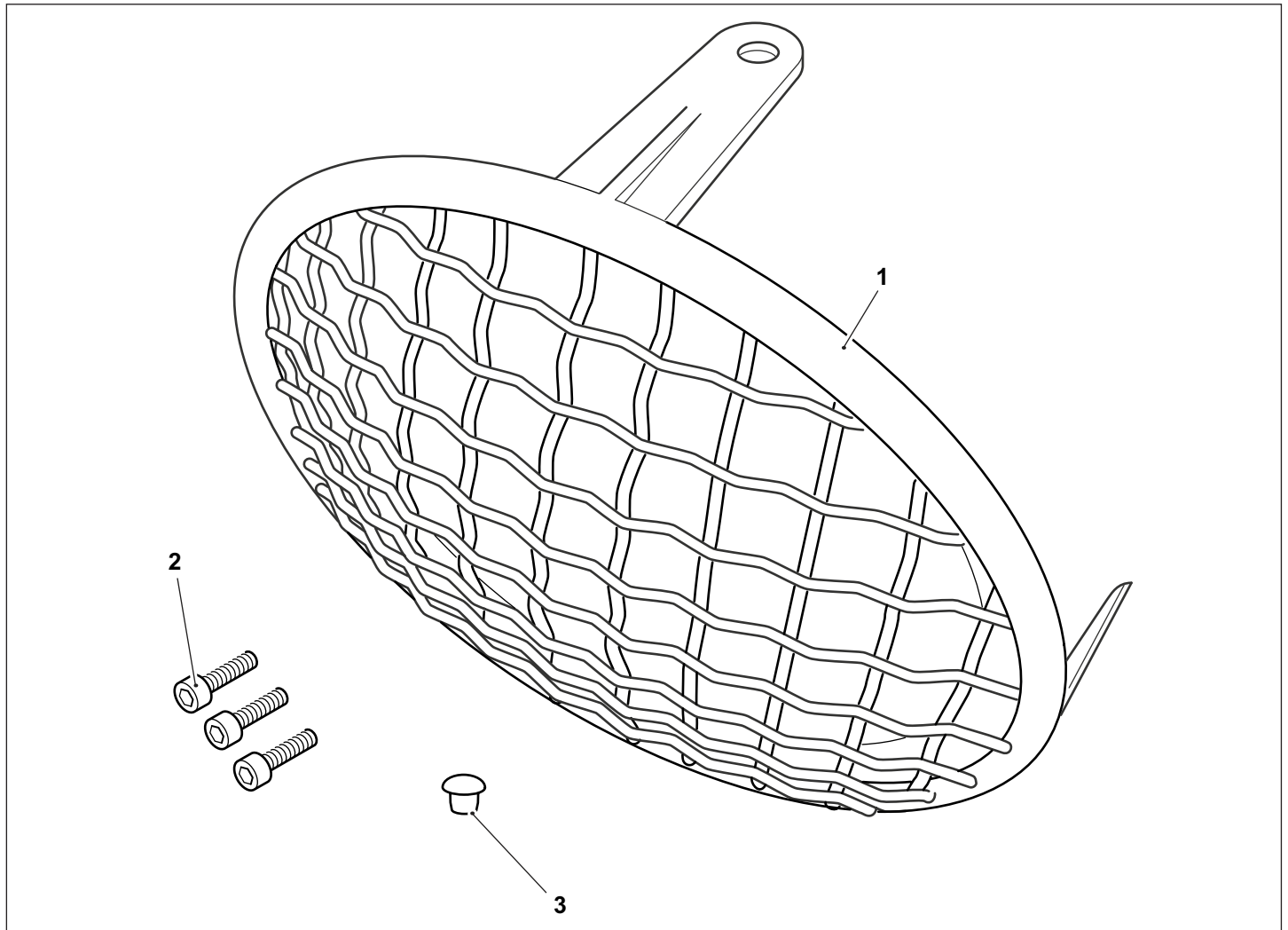
**WARNING:** Before starting any accessory kit installation ensure the motorcycle is supported in a stable condition. Failure to support the motorcycle correctly could lead to motorcycle damage or personal injury.

**WARNING:** All fixings must be tightened to the torque values specified in this instruction. Failure to tighten fixings to the correct torque could result in an unsafe riding condition and possible accident.

**CAUTION:** Care should be taken when fitting any accessory kit. Incorrect handling kit components or the use of incorrect tools could lead to component or motorcycle damage.

**WARNING:** This product is not for highway use

**NOTE:** The content of this instruction is subject to change at any time without notice or liability. Royal Enfield reserves the right to revise the information presented at any time.

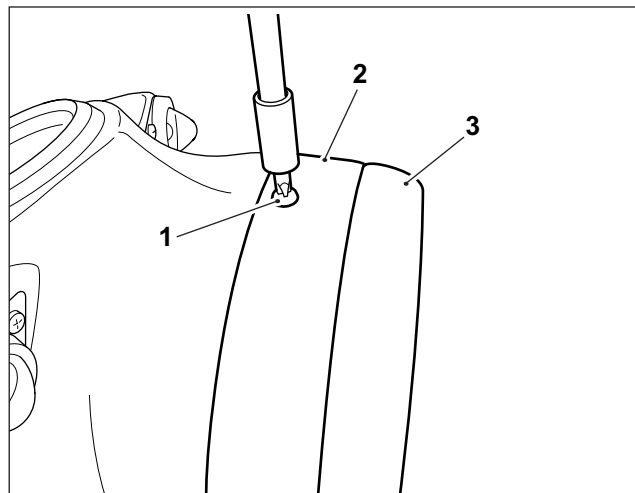


Item	Description	Qty
1	Grille	1
2	Fixing	3
3	Plastic cap	1

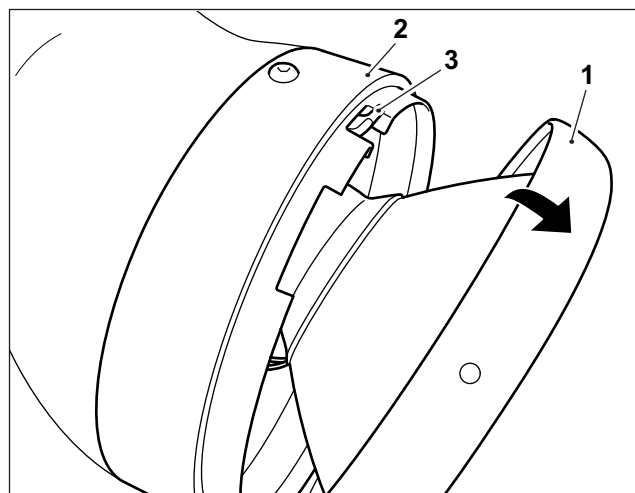
**1** Disconnect the battery, negative lead first.

**2** Loosen the fixing (1) at the top of the headlight bowl (2) to release the headlight bezel (3).

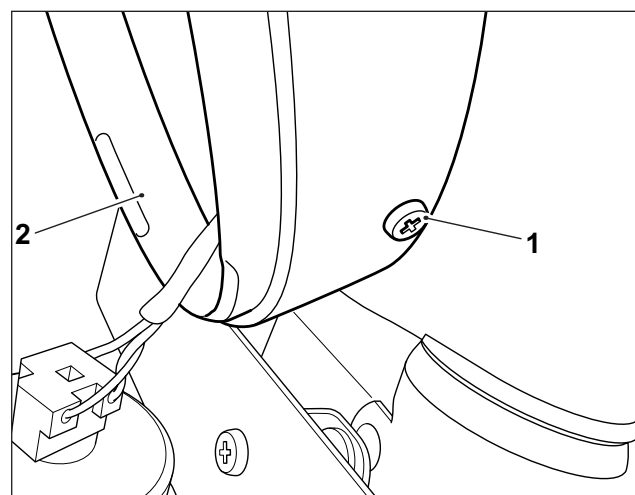
Do not remove the fixing.



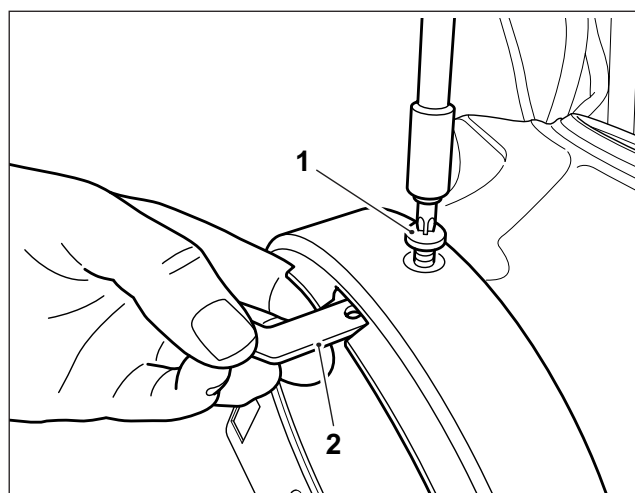
**3** Detach the headlight assembly (1) from the headlight bowl (2) and move the top of the headlight assembly clear of the retaining plate (3).



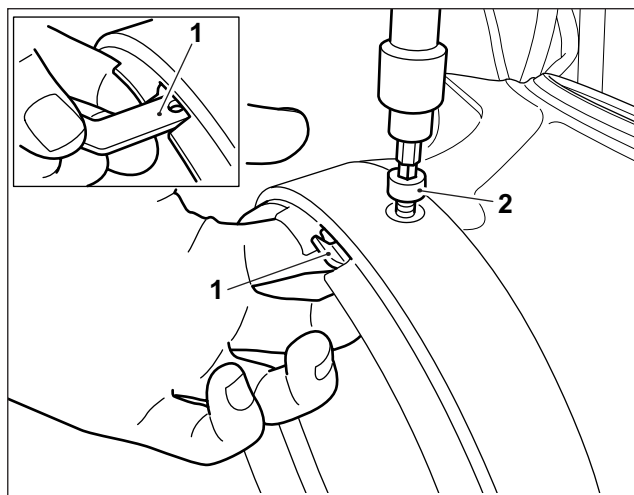
**4** Remove the fixings (1) from the headlight bowl (2) on the right hand and left hand side of the motorcycle, left hand side shown. Retain the fixings for reuse if the accessory headlight grille is removed.



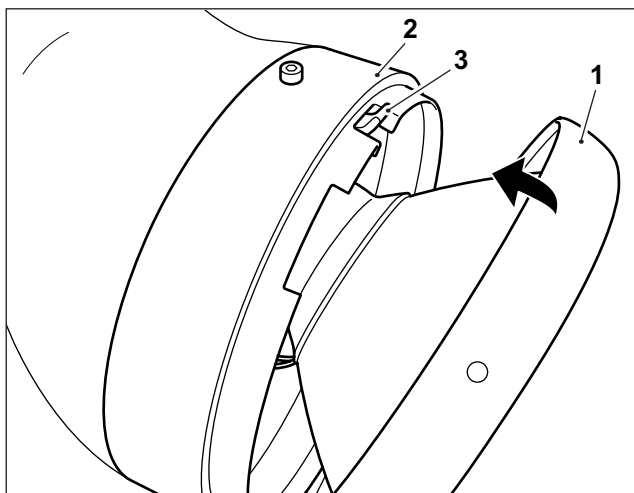
**5** Remove the headlight bezel retaining plate fixing (1) and retaining plate (2). Retain the fixing for reuse if the accessory headlight grille is removed. Retain the headlight bezel retaining plate for reuse.



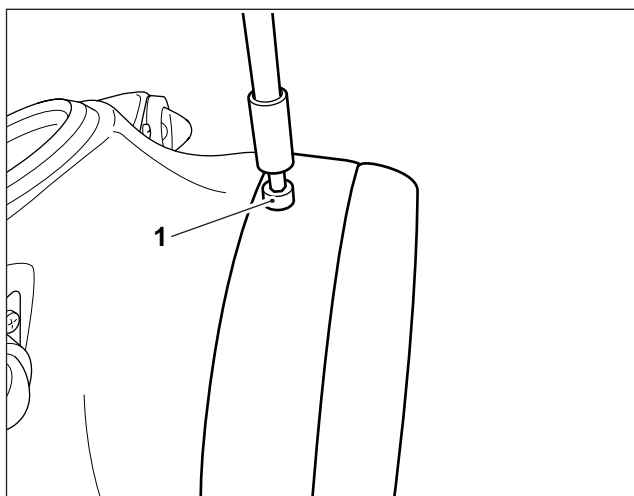
**6** Refit the headlight bezel retaining plate (1) in the orientation shown with a new fixing (2) from the kit. Do not fully tighten the fixing at this stage.



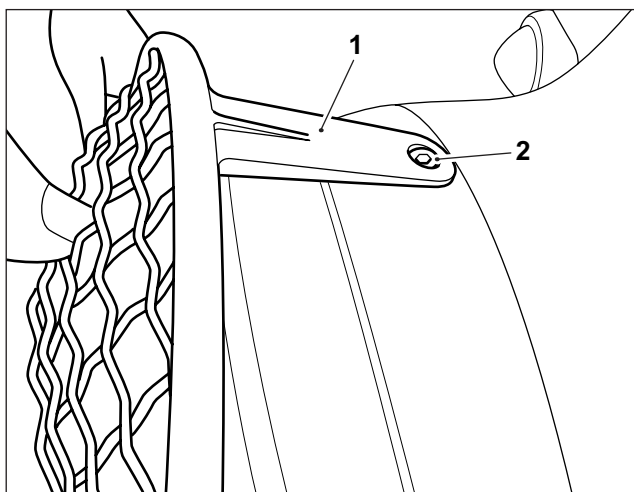
**7** Refit the headlight assembly (1) to the headlight bowl (2), ensuring it locates correctly over the retaining plate (3).



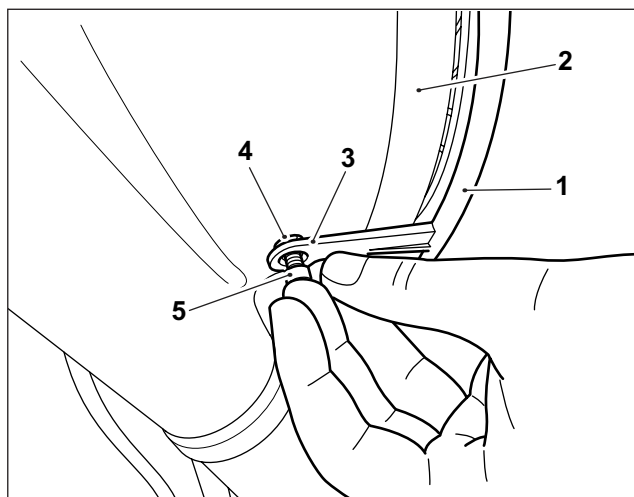
**8** Tighten the fixing (1) at the top of the headlight bowl to **5 Nm**.



**9** Position the headlight grille top mounting bracket (1) over the head of the new fixing (2) at the top of the headlight bowl, as shown.



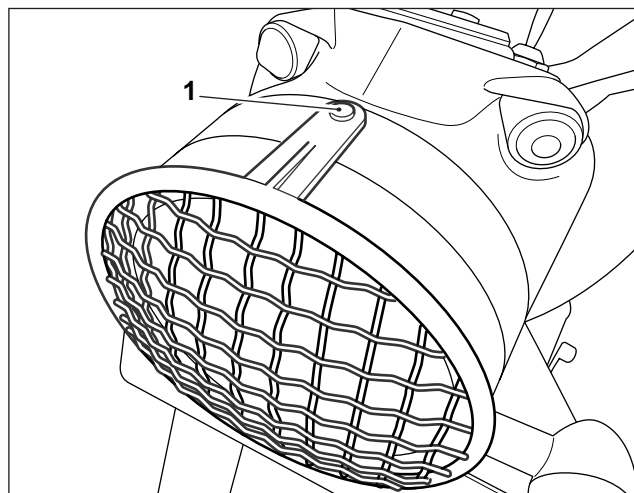
**10** Carefully lower the headlight grille (1) over the headlight (2) and align the lower fixing brackets (3) of the headlight grille with the fixing positions (4) in the headlight bowl on the left hand and right hand side, right hand side shown..  
Fit the fixings (5) from the kit and tighten the fixings to **5 Nm**.



**11** Fit the plastic cap (1) from the kit into the top fixing in the headlight bowl.

**12** Reconnect the battery, positive lead first.

**13** Check both the headlight and running light function correctly.



**⚠ WARNING:** After fitting any genuine Royal Enfield accessory always ride the motorcycle with caution and allow time to become familiar with any change in the motorcycle handling characteristics. Failure to become familiar with any change in the motorcycle handling characteristics may cause the motorcycle to become unstable and result in an accident.