

**Part Number:**

KXA00042 Pannier Mount, right hand

**Models :**

With VIN starting ME3J3A5FAL3

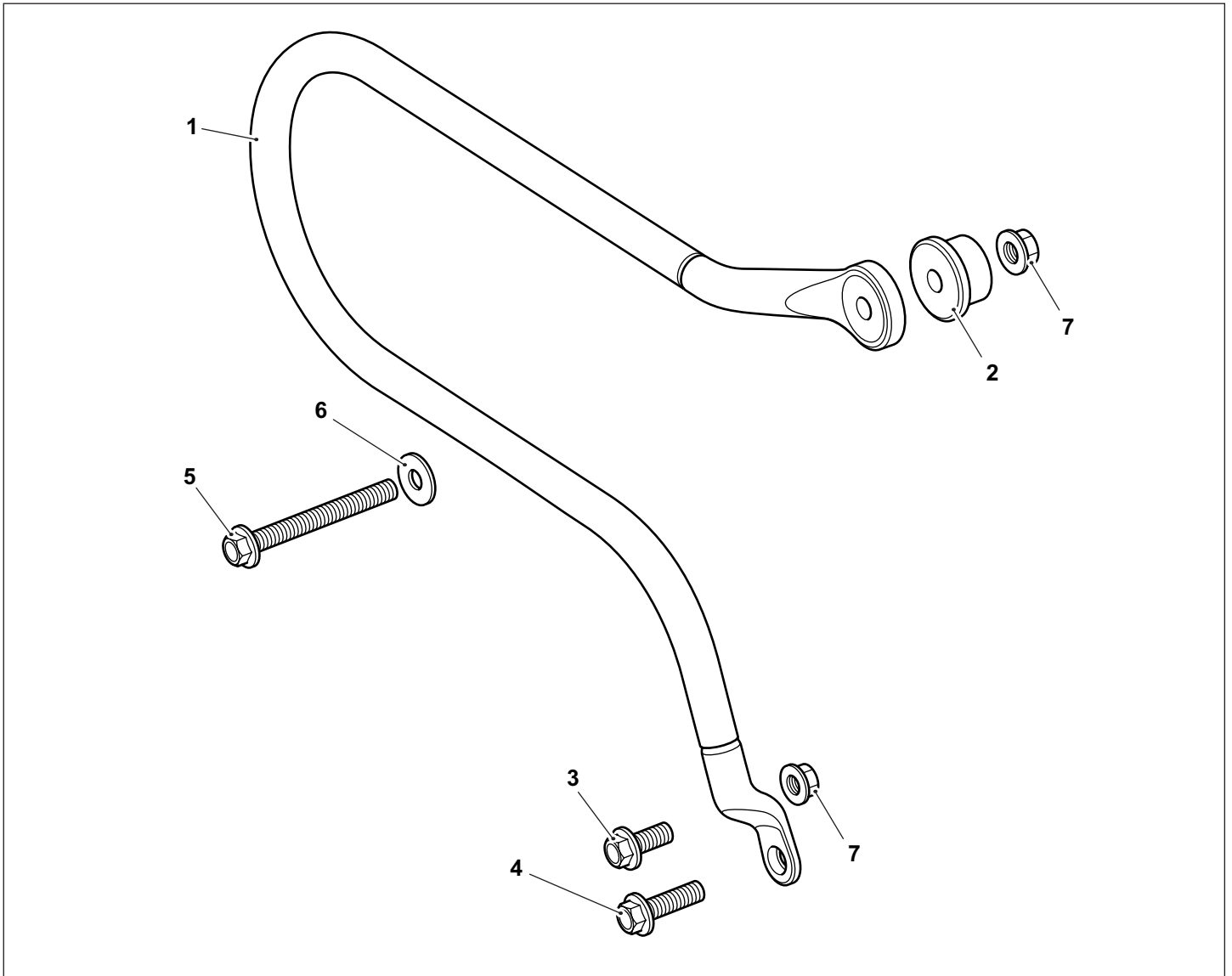
 **WARNING:** Royal Enfield genuine accessories are designed to fit only the specific Royal Enfield motorcycle(s) that are specified above. They should not be fitted to any other type of motorcycle. Pay particular attention to the warnings and cautions contained in this instruction, failure to do so may result in an incorrect installation of the accessory which could result in an unsafe riding condition and possible accident. If in any doubt always seek the help from your authorised Royal Enfield dealer.

 **WARNING:** Before starting any accessory kit installation ensure the motorcycle is supported in a stable condition. Failure to support the motorcycle correctly could lead to motorcycle damage or personal injury.

 **WARNING:** All fixings must be tightened to the torque values specified in this instruction. Failure to tighten fixings to the correct torque could result in an unsafe riding condition and possible accident.

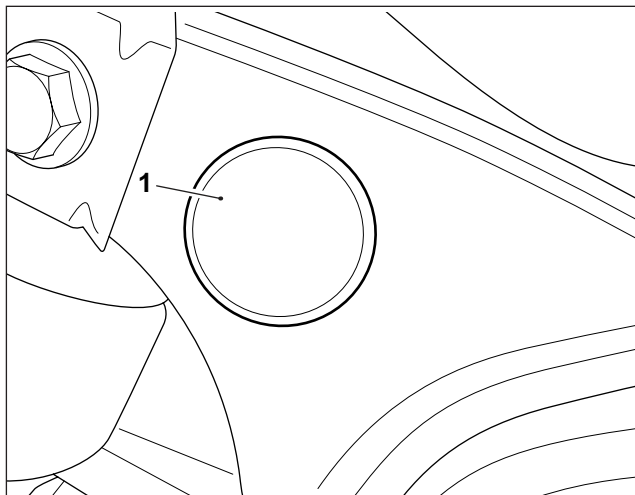
 **CAUTION:** Care should be taken when fitting any accessory kit. Incorrect handling kit components or the use of incorrect tools could lead to component or motorcycle damage.

**NOTE:** The content of this instruction is subject to change at any time without notice or liability. Royal Enfield reserves the right to revise the information presented at any time.



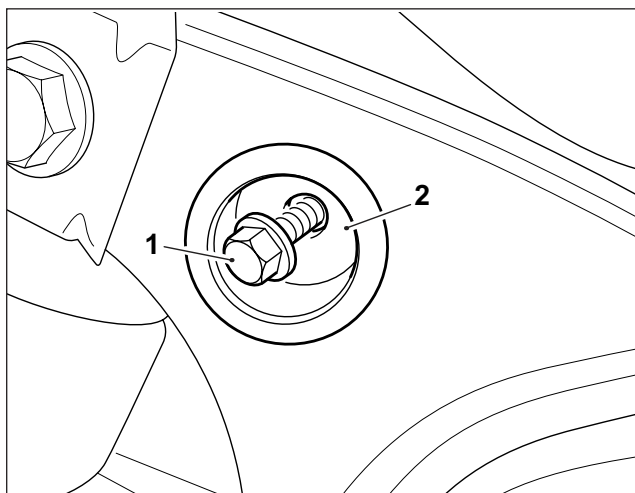
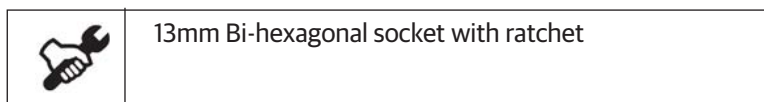
Item	Description	Qty
1	Pannier mount, right hand	1
2	Spacer boss	1
3	Fixing, M8 x 20 mm	1
4	Fixing, M8 x 30 mm	1
5	Fixing, M8 x 75 mm	1
6	Washer, M8	1
7	Nut, M8	2

**1** Carefully remove the rear mudguard frame cap (1) from the right hand side of the motorcycle. Retain the frame cap (1) for reuse if the accessory pannier rail is removed..

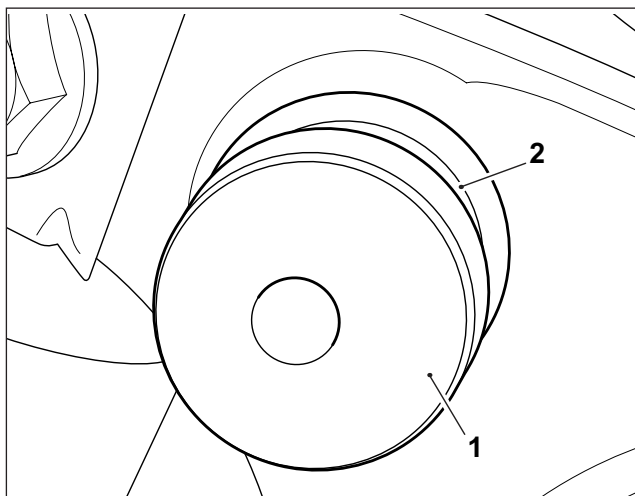


### Classic and Bullet Models Only

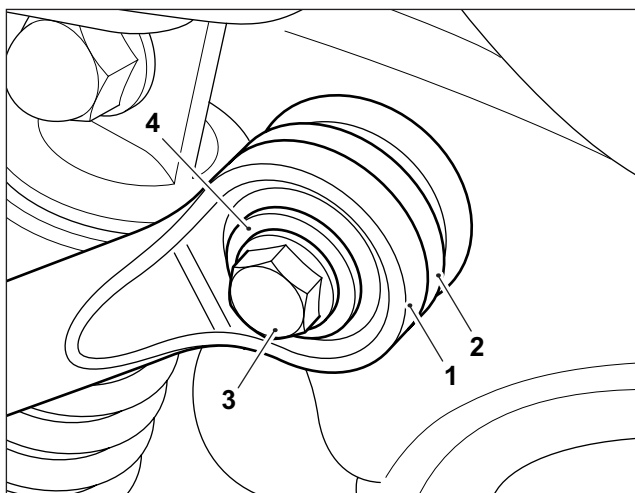
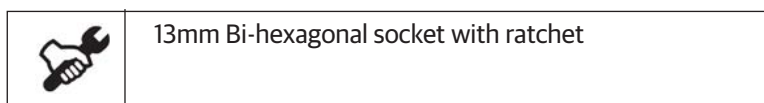
**2** Remove the fixing (1) from the exposed recess (2) in the motorcycle frame.



**3** Fit the spacer boss (1) from the kit into the recess (2) in the motorcycle frame



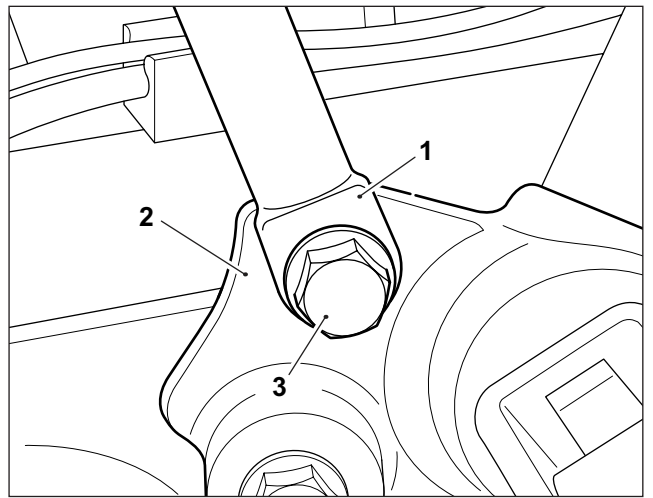
**4** Align the pannier rail top mount (1) with the spacer boss (2). Fit the M8 x 75mm fixing (3) and M8 washer (4) from the kit to secure the pannier rail top mount to the motorcycle frame, as shown. Do not tighten the fixing at this stage.



**5** Align the pannier rail lower mounting (1) with the bracket (2) on the motorcycle frame. Fit the M8 x 30mm fixing (3) from the kit to secure the pannier rail lower mounting, as shown. Do not tighten the fixing at this stage.

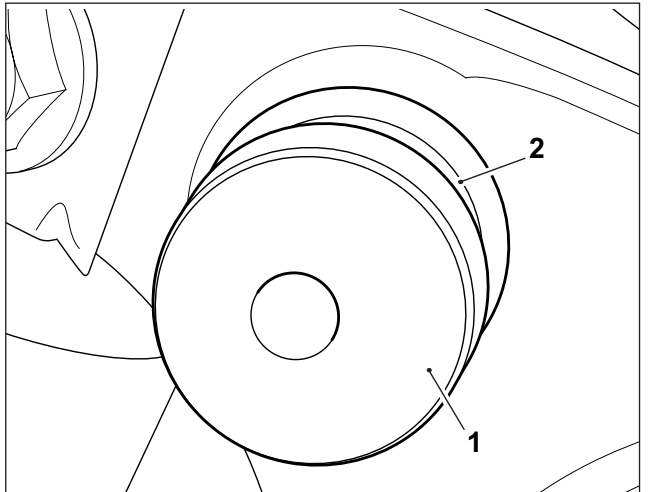


13mm Bi-hexagonal socket with ratchet

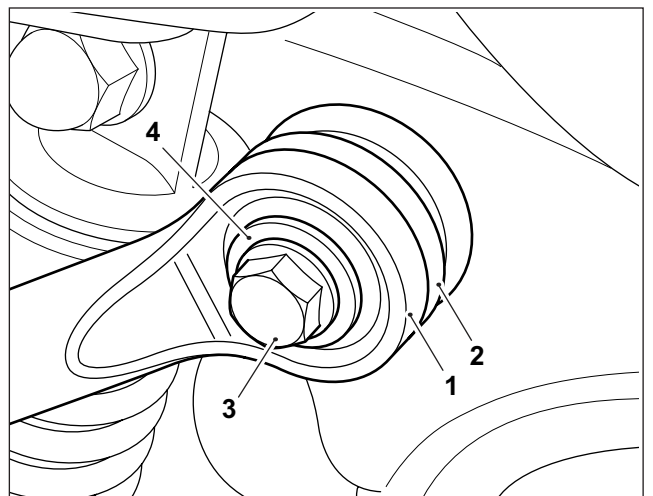


### Meteor Models Only

**6** Fit the spacer boss (1) from the kit into the recess (2) in the motorcycle frame



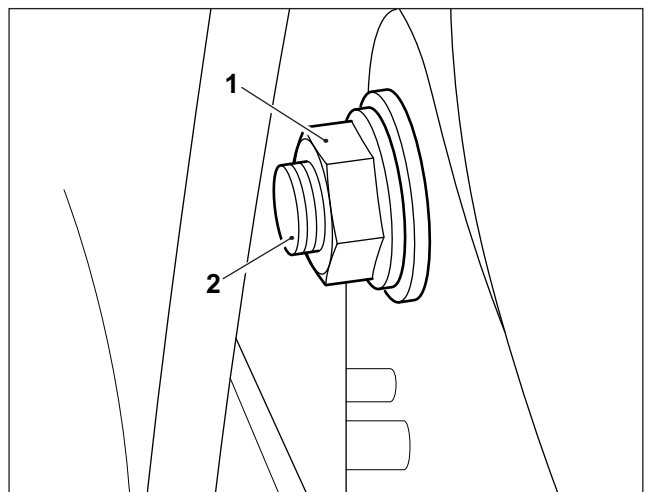
**7** Align the pannier rail top mount (1) with the spacer boss (2). Fit the M8 x 75mm fixing (3), with the M8 washer (4) from the kit through the pannier rail top mount and motorcycle frame, as shown.



**8** Fit one of the M8 lock nuts (1) from the kit onto the fixing (2) at the inner side of the motorcycle frame, as shown. Do not tighten the fixing at this stage.



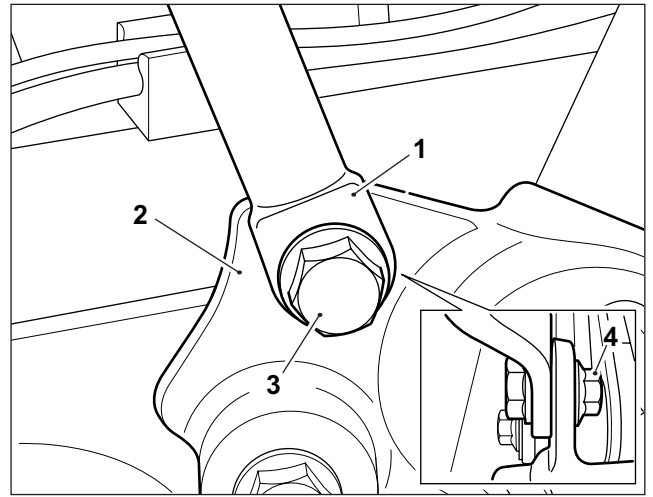
13mm Bi-hexagonal socket with ratchet  
13mm Spanner



**9** Align the pannier rail lower mounting (1) with the bracket (2) on the motorcycle frame. Fit the M8 x 20mm fixing (3) and M8 nut (4) from the kit to secure the pannier rail lower mounting, as shown. Do not tighten the fixing at this stage.



13mm Bi-hexagonal socket with ratchet  
13mm Spanner

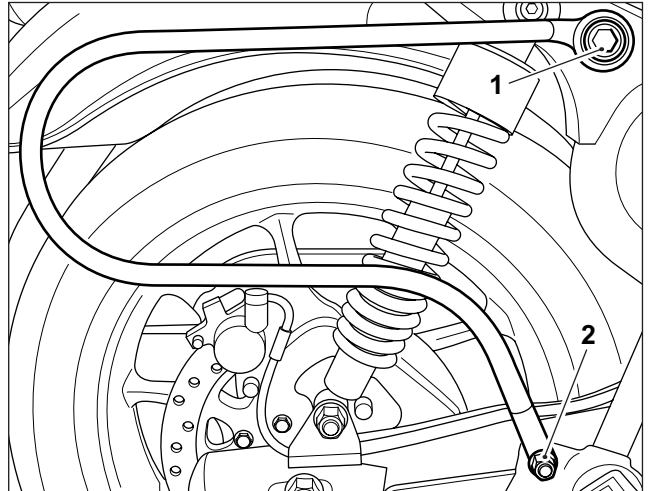



## All Models

**10** Tighten the upper (1) and lower (2) pannier rail fixings to **25 Nm**.



13mm Bi-hexagonal socket with torque wrench  
13mm Spanner



 **WARNING:** Before riding a motorcycle fitted with accessory panniers always check that the panniers are securely attached to the pannier rails. Riding a motorcycle with insecure panniers fitted may cause the motorcycle to become unstable and result in an accident.

 **WARNING:** Never overload the panniers, the maximum safe load for each pannier is 3 Kg (6.6 lbs). Incorrect loading of the panniers could cause the motorcycle to become unstable and result in an accident.

 **WARNING:** The fitment of panniers to the motorcycle will affect the stability and handling of the motorcycle. Failure to observe the changes in motorcycle stability and handling characteristics could result in an accident.