

Part Number:
KXA00413

Models:
Himalayan (452cc only)

WARNING: Royal Enfield genuine accessories are designed to fit only the specific Royal Enfield motorcycle(s) that are specified above. They should not be fitted to any other type of motorcycle. Pay particular attention to the warnings and cautions contained in this instruction, failure to do so may result in an incorrect installation of the accessory which could result in an unsafe riding condition and possible accident. If in any doubt always seek help from your authorised Royal Enfield dealer.

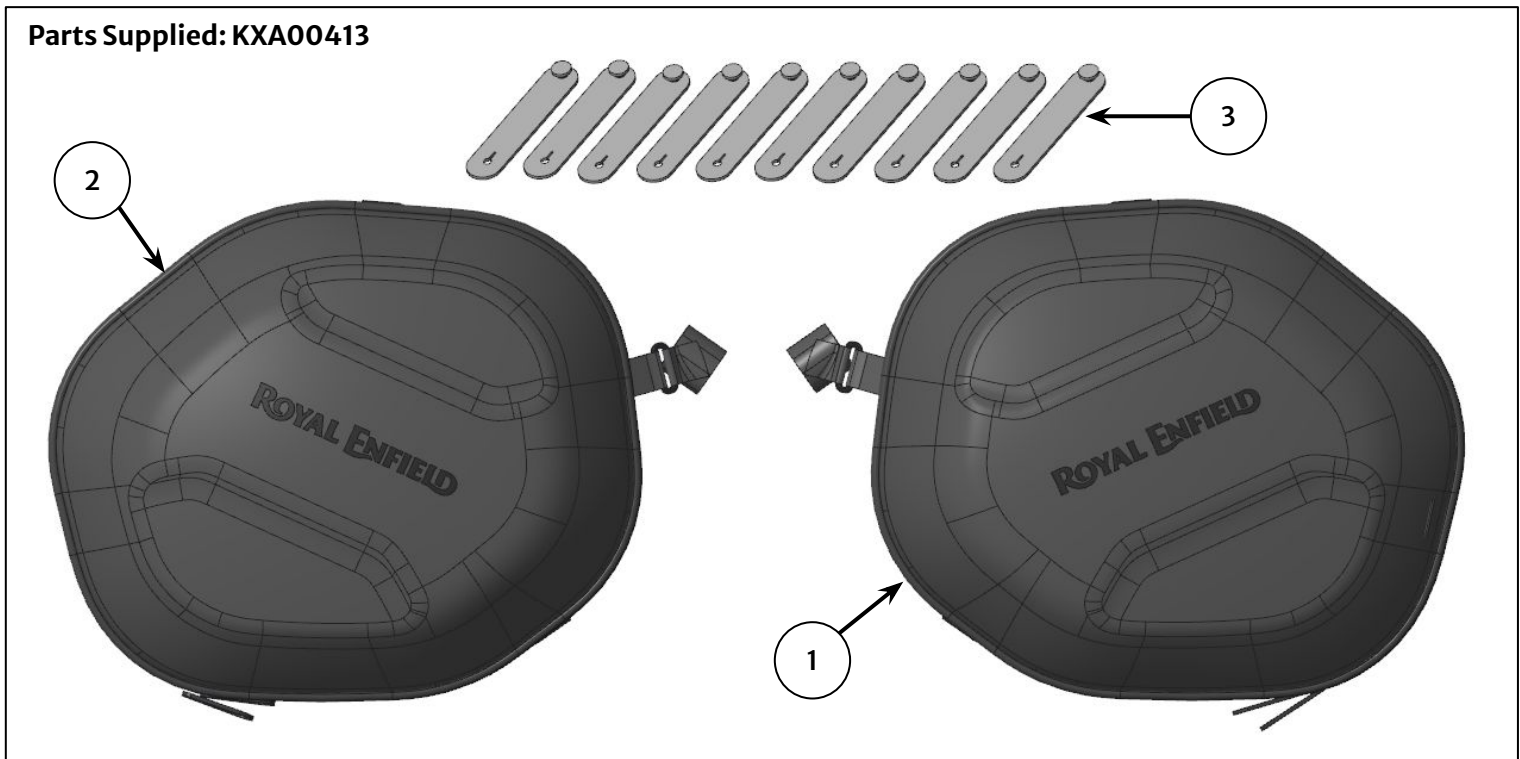
WARNING: Before starting any accessory kit installation ensure the motorcycle is supported in a stable condition. Failure to support the motorcycle correctly could lead to motorcycle damage or personal injury.

WARNING: All fixings must be tightened to the torque values specified in this instruction. Failure to tighten fixings to the correct torque could result in an unsafe riding condition and possible accident

CAUTION: Care should be taken when fitting any accessory kit. Incorrect handling of kit components or the use of incorrect tools could lead to component or motorcycle damage.

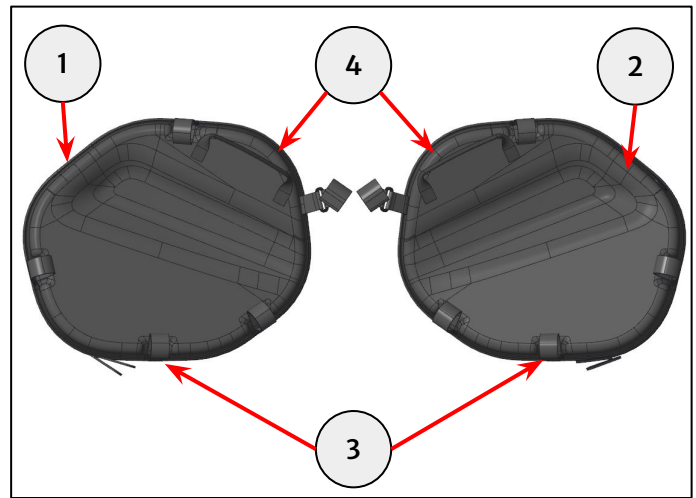
NOTE: The content of this instruction is subject to change at any time without notice or liability. Royal Enfield reserves the right to revise the information presented at any time.

Parts Supplied: KXA00413



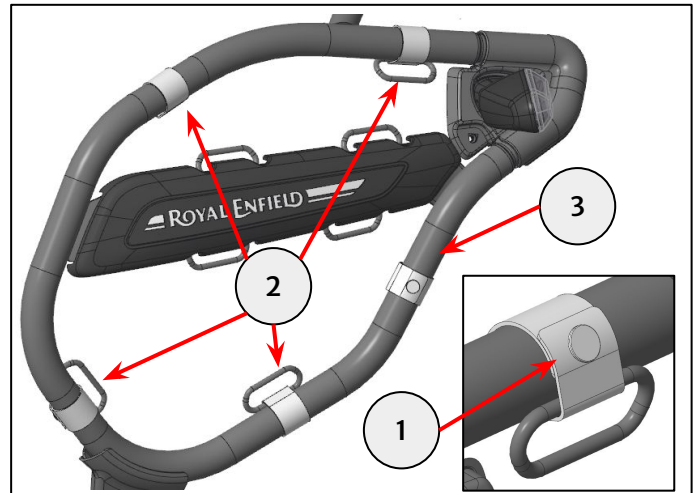
Item	Description	Qty
1	Tank rail bag, left hand	1
2	Tank rail bag, right hand	1
3	Rubber band	10
4	Inner bag (not shown)	2

1 Identify the left hand (1) and right hand (2) bag by placing them on a flat surface, with the zip track on the bottom edge (3). The handle location (4) can be used to identify the correct hand.

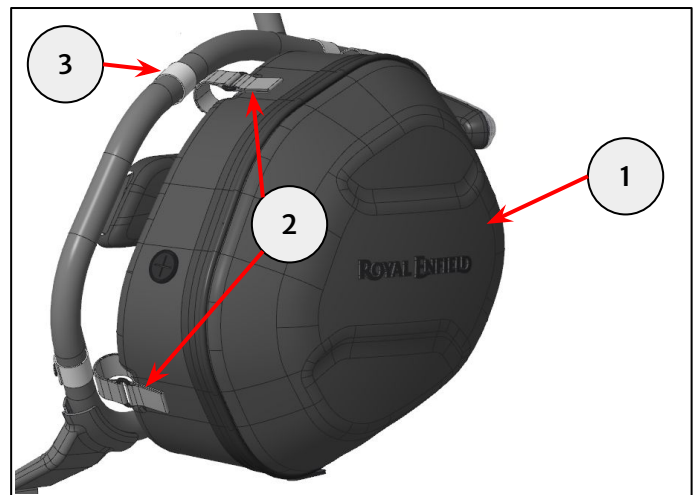


2 Ensure the tank rails are clean and free of dirt and debris.

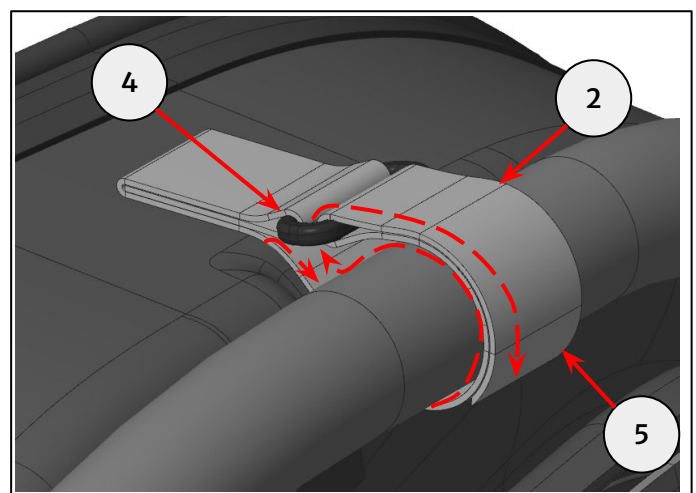
Place the five rubber bands from the kit (1) through the four wire guides (2) and the highlighted down tube on the right hand tank rail (3).



3 Collect the right hand bag (1) and locate the four straps (2) over each rubber band (3) at the wire guides.

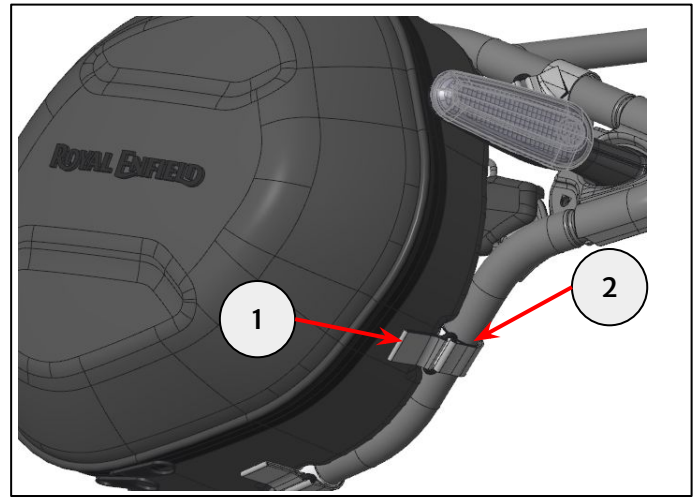


Route the strap around the rail, through the plastic loop (4) and back over itself, securing with the velcro attachment (5).

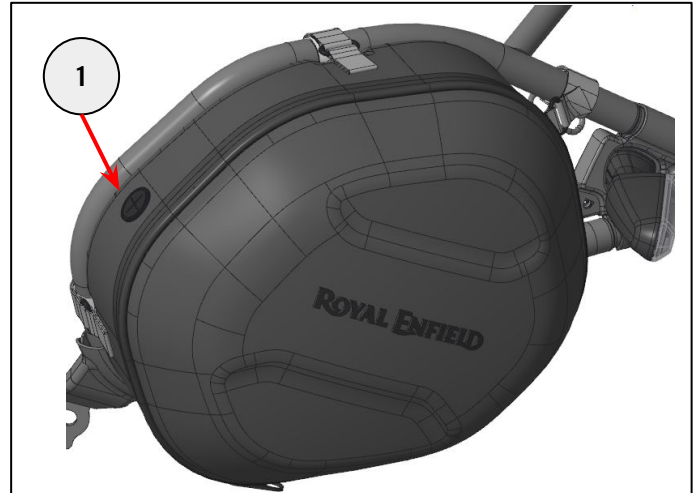


4 Locate the remaining strap (1) around the tank rail down tube (2), ensuring the strap is located on top of the rubber band. Adjust the position of the rubber band as required.

Repeat steps 2-4 for the left hand side.

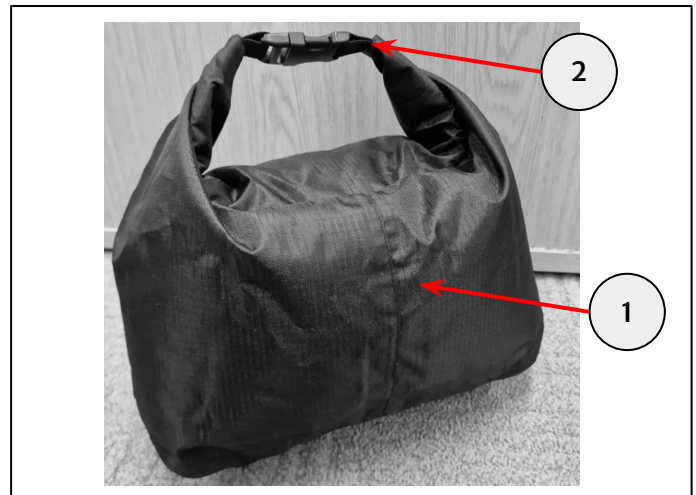


5 A cable port (1) is provided on the right hand bag. Ensure cables are secured during the operation of the motorcycle.



6 It is recommended to use the supplied water resistant inner bag (1).

The inner bag should be rolled down a minimum of three times before securing the buckles (2).



WARNING: The maximum safe load for each bag is 3kg (6.6 lbs). Never exceed this loading limit as this may cause the motorcycle to become unstable and could lead to motorcycle damage or personal injury.

WARNING: Always ensure the mounting straps are correctly tensioned before riding the motorcycle. Failure to tighten the straps could result in an unsafe riding condition and possible accident.

CAUTION: Use of chemicals or high-pressure spray washers is not recommended for cleaning and may damage the bag. To help maintain its appearance, clean the bag using a sponge or cleaning cloth with low alkaline soap and water.

WARNING: After fitting any genuine Royal Enfield accessory always ride the motorcycle with caution and allow time to become familiar with any change in the motorcycle handling characteristics. Failure to become familiar with any change in the motorcycle handling characteristics may cause the motorcycle to become unstable and result in an accident.