

**Part Number:**

1990625


**Models :**

Classic 350cc, Classic 500cc, Bullet 350cc, Bullet 500cc

 **WARNING:** Royal Enfield genuine accessories are designed to fit only the specific Royal Enfield motorcycle(s) that are specified above. They should not be fitted to any other type of motorcycle. Pay particular attention to the warnings and cautions contained in this instruction, failure to do so may result in an incorrect installation of the accessory which could result in an unsafe riding condition and possible accident. If in any doubt always seek the help from your authorised Royal Enfield dealer.

 **WARNING:** Before starting any accessory kit installation ensure the motorcycle is supported in a stable condition. Failure to support the motorcycle correctly could lead to motorcycle damage or personal injury.

 **WARNING:** All fixings must be tightened to the torque values specified in this instruction. Failure to tighten fixings to the correct torque could result in an unsafe riding condition and possible accident.

 **CAUTION:** Care should be taken when fitting any accessory kit. Incorrect handling kit components or the use of incorrect tools could lead to component or motorcycle damage.

**NOTE:** The content of this instruction is subject to change at any time without notice or liability. Royal Enfield reserves the right to revise the information presented at any time.

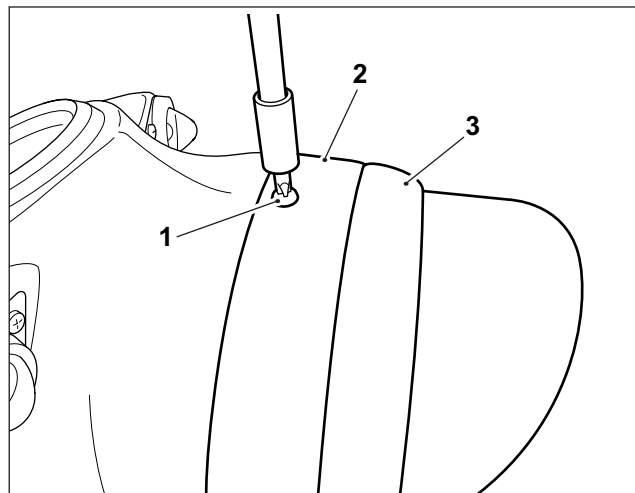


Item	Description	Qty
1	Visor	1

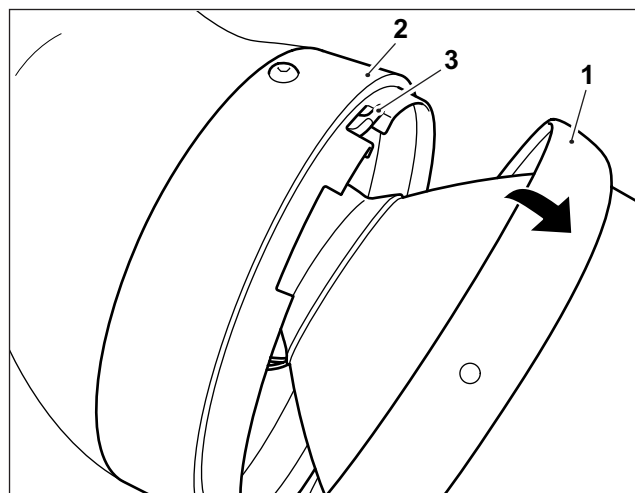
**1** Disconnect the battery, negative lead first.

**2** Loosen the fixing (1) at the top of the headlight bowl (2) to release the headlight bezel (3).

Do not remove the fixing.

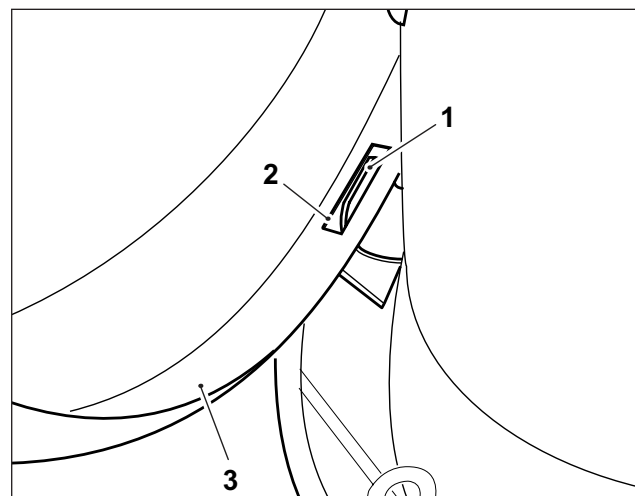


**3** Detach the headlight assembly (1) from the headlight bowl (2) and move the top of the headlight assembly clear of the retaining clip (3).



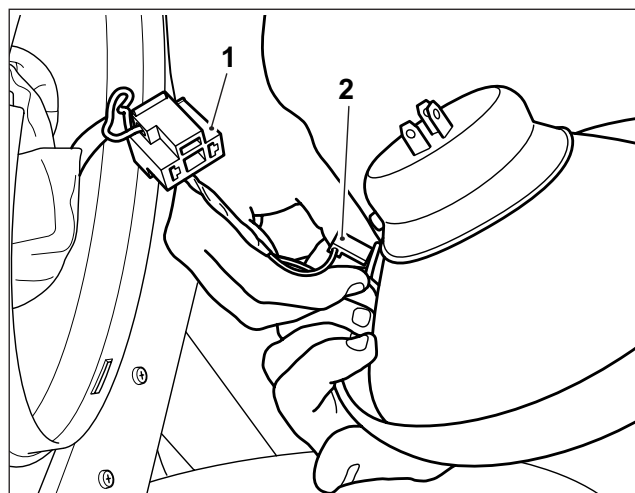
**4** Detach the headlight assembly retaining bracket (1) from the slot (2) in the bottom of the headlight bowl (3) and remove the headlight assembly .

Do not allow the headlight assembly to hang un-supported from the wiring harnesses.



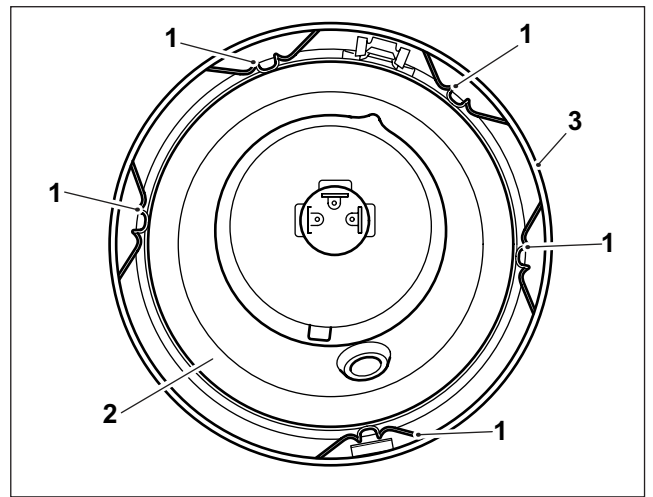
**5** Disconnect the headlight (1) and running light (2) wiring harness connectors from the headlight assembly.

Remove the headlight assembly from the motorcycle and transfer to a clean work area.



**NOTE:** Note the position and fitment of the spring clips (1) retaining the headlight (2) to the headlight bezel (3) to help reassembly.

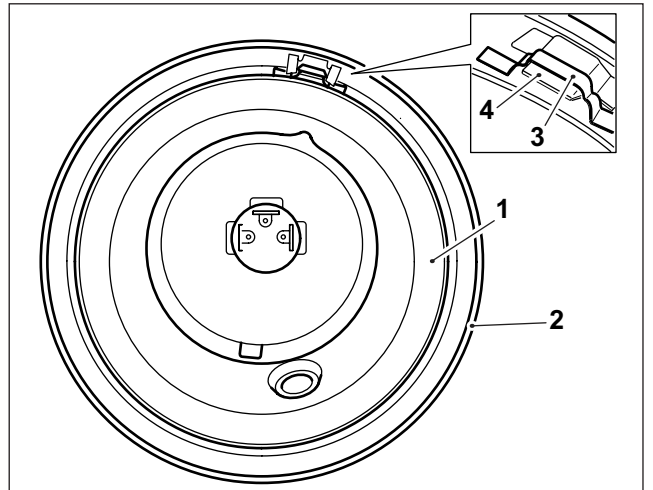
**6** Carefully remove the spring clips (1) retaining the headlight (2) to the headlight bezel (3). Retain the spring clips for reuse.



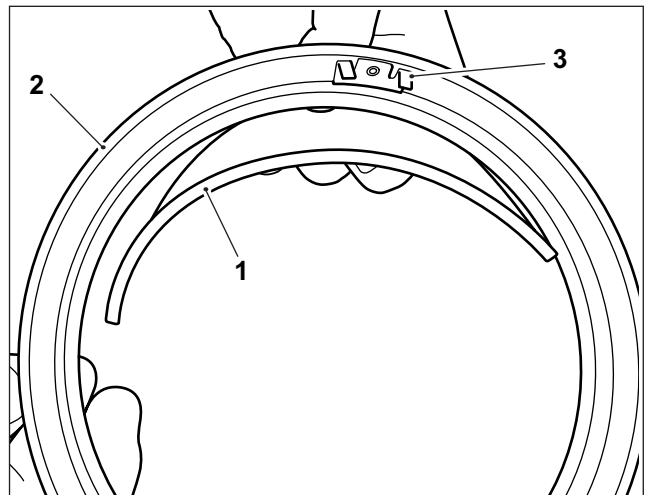
**7** Remove the headlight (1) from the headlight bezel (2) taking care to dis-engage the headlight bracket (3) from the retaining tang (4) on the headlight bezel. Remove the original headlight visor from the headlight bezel.

Retain the headlight and headlight bezel for reuse.

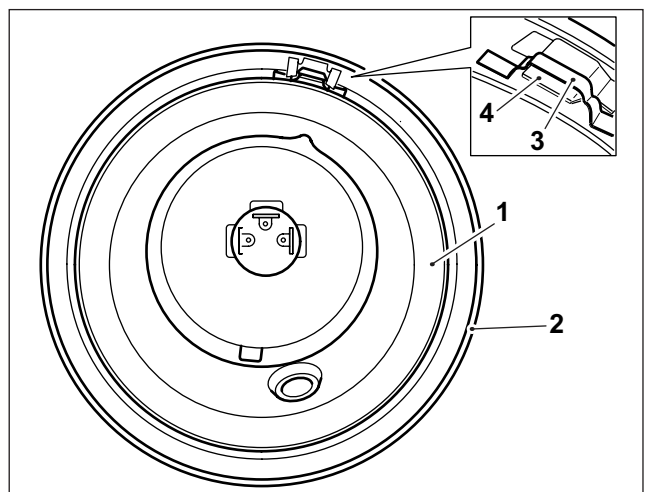
Retain the original headlight visor for reuse if the motorcycle is returned to original condition.



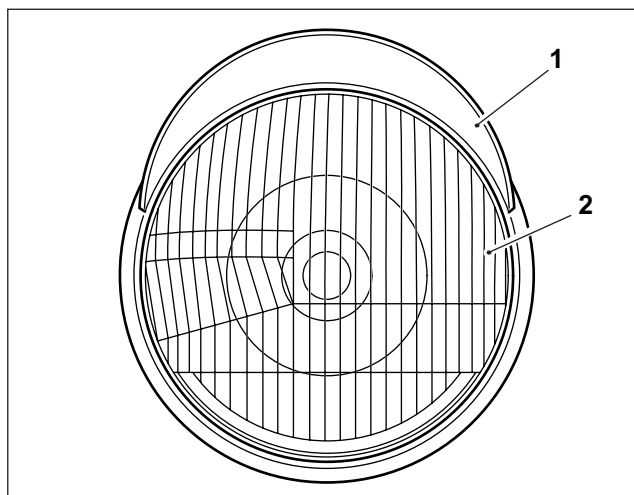
**8** Fit the accessory headlight visor (1) from the kit on to the headlight bezel (2) in the orientation shown. Use the retaining tang (3) on the headlight bezel as a guide to centralise the visor.



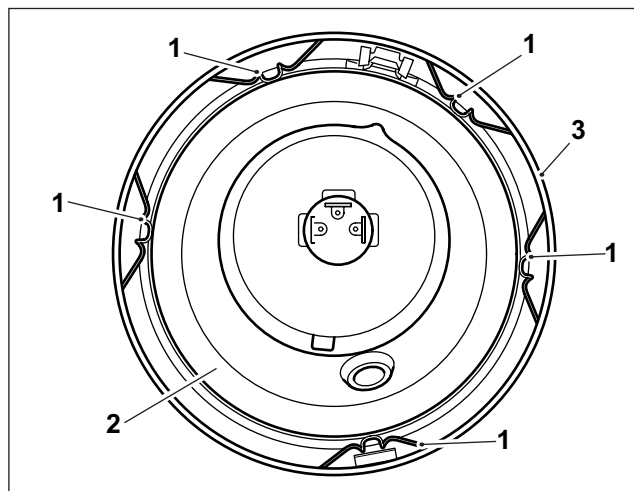
**9** While holding the headlight visor in position, refit the headlight (1) to the headlight bezel (2) in the orientation shown, ensuring the headlight bracket (3) locates correctly on the retaining tang (4) on the headlight bezel.



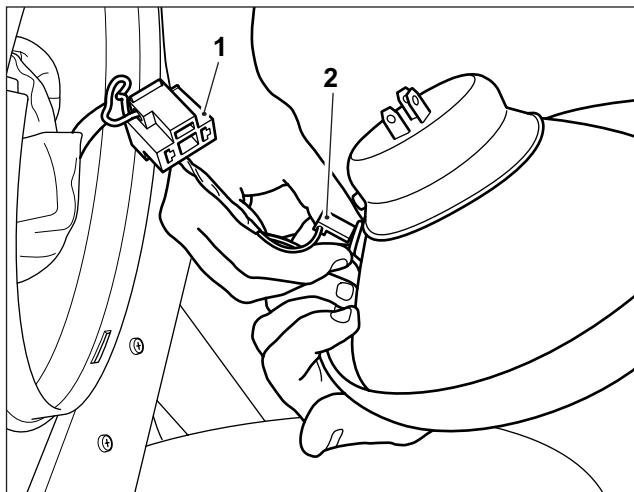
**10** Adjust the position of the headlight visor (1) to ensure it is in a central position on the headlight (2), as shown.



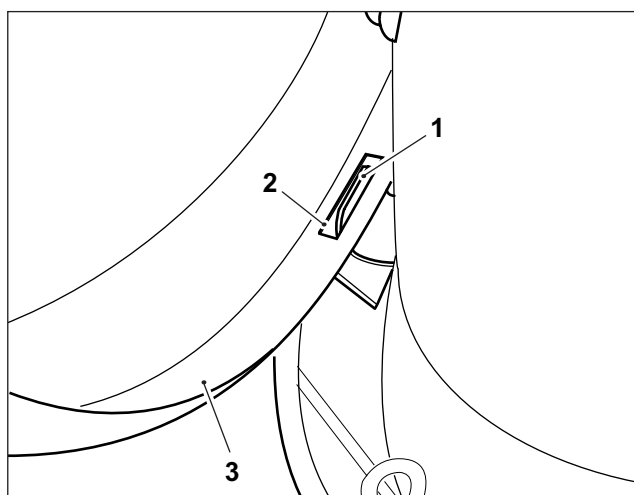
**11** Referring to the detail noted on removal at step 6, refit the original spring clips (1) to retain the headlight (2) to the headlight bezel (3).



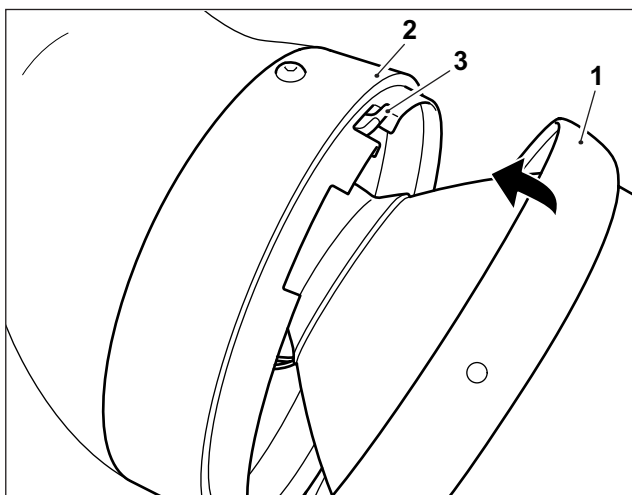
**12** Reconnect the headlight (1) and running light (2) wiring harness connectors to the headlight assembly.



**13** Locate the headlight assembly retaining bracket (1) in to the slot (2) in the bottom of the headlight bowl (3) as shown.



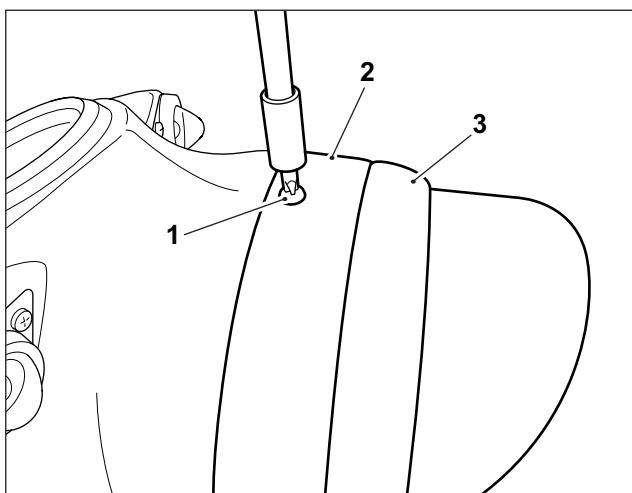
**14** Refit the headlight assembly (1) to the headlight bowl (2), ensuring it locates correctly over the retaining clip (3).



**15** Tighten the fixing (1) at the top of the headlight bowl to **## Nm**.

**16** Reconnect the battery, positive lead first.

**17** Check both the headlight and running light function correctly.



**⚠ WARNING:** After fitting any genuine Royal Enfield accessory always ride the motorcycle with caution and allow time to become familiar with any change in the motorcycle handling characteristics. Failure to become familiar with any change in the motorcycle handling characteristics may cause the motorcycle to become unstable and result in an accident.