


**Part Number:**


KXA00204, KXA00254, KXA00282,  
KXA00045, KXA00155, KXA00081


**Models:**

SUPER METEOR

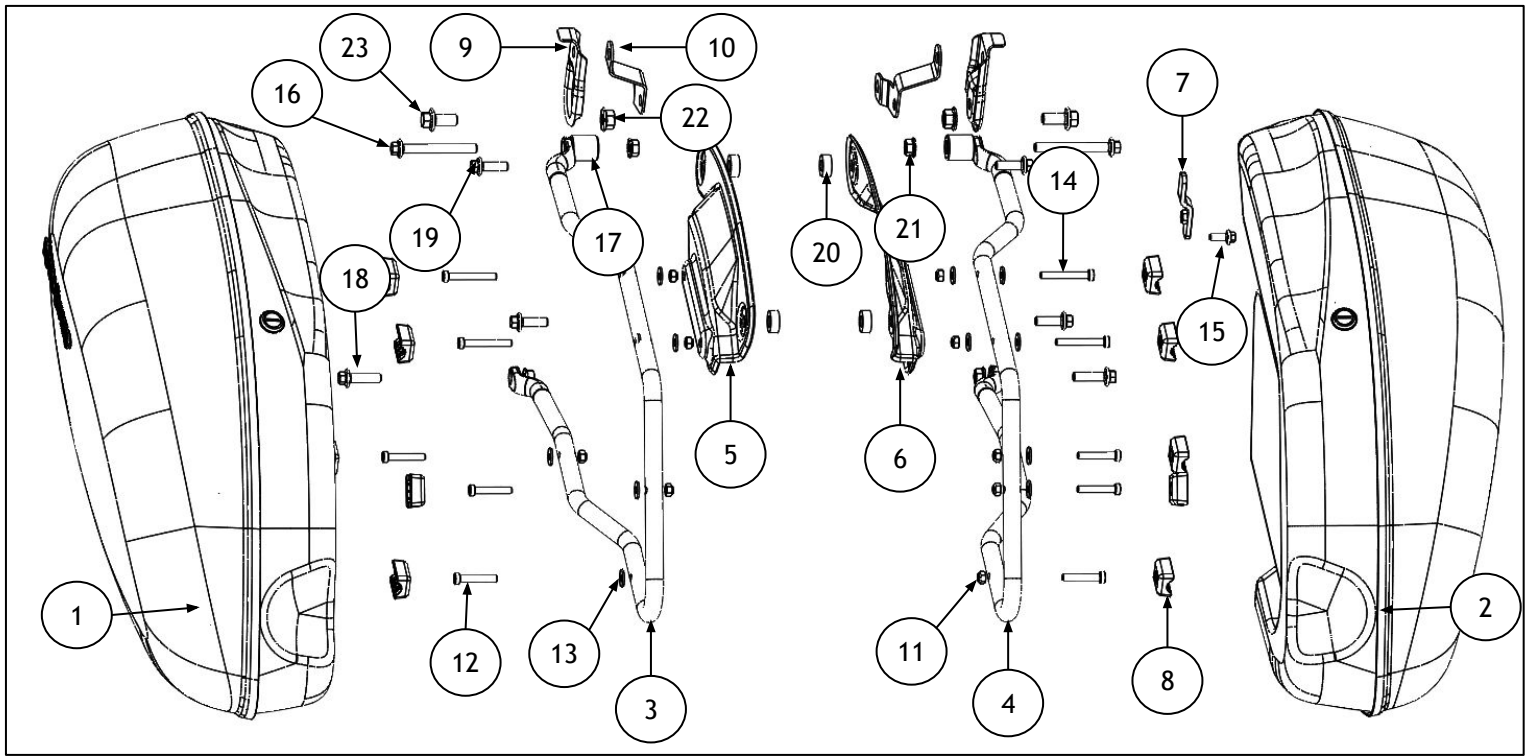
 **WARNING:** Royal Enfield genuine accessories are designed to fit only the specific Royal Enfield motorcycle(s) that are specified above. They should not be fitted to any other type of motorcycle. Pay particular attention to the warnings and cautions contained in this instruction, failure to do so may result in an incorrect installation of the accessory which could result in an unsafe riding condition and possible accident. If in any doubt always seek help from your authorised Royal Enfield dealer.

 **WARNING:** Before starting any accessory kit installation ensure the motorcycle is supported in a stable condition. Failure to support the motorcycle correctly could lead to motorcycle damage or personal injury.

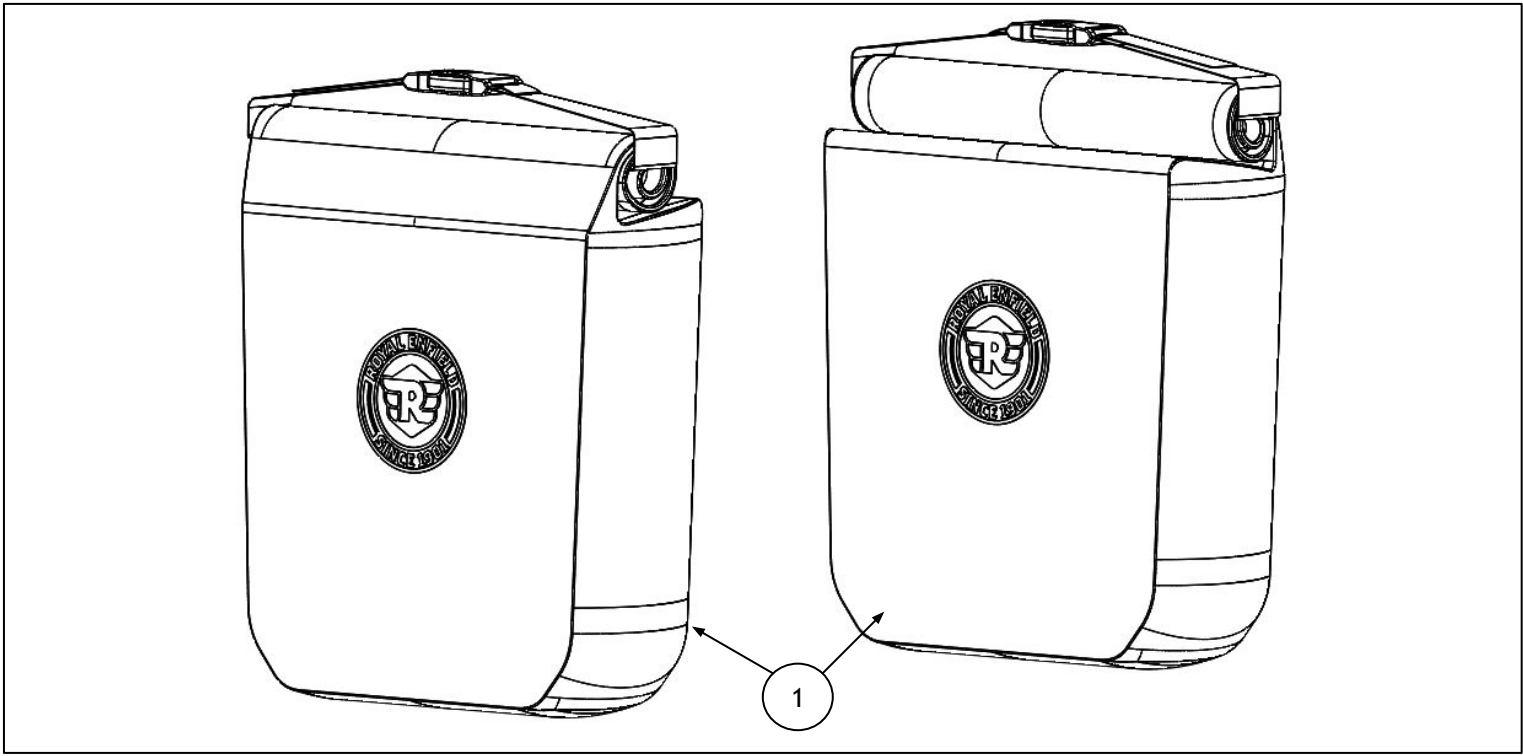
 **WARNING:** All fixings must be tightened to the torque values specified in this instruction. Failure to tighten fixings to the correct torque could result in an unsafe riding condition and possible accident

 **CAUTION:** Care should be taken when fitting any accessory kit. Incorrect handling of kit components or the use of incorrect tools could lead to component or motorcycle damage.

**NOTE:** The content of this instruction is subject to change at any time without notice or liability. Royal Enfield reserves the right to revise the information presented at any time.

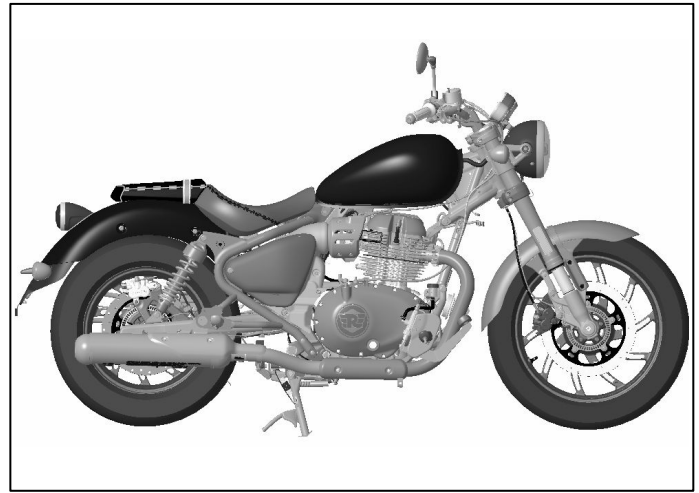


Item	Description	Qty
1	Pannier assembly, left hand	1
2	Pannier assembly, right hand	1
3	Pannier rail, left hand	1
4	Pannier rail, right hand	1
5	Rail bracket, left hand	1
6	Rail bracket, right hand	1
7	Pannier mount	2
8	Nylon pannier mount	10
9	Relocation bracket	2
10	Anti-rotation bracket	2
11	Locknut, M6	10
12	Fixing, M6 x 35	6
13	Washer, M6	14
14	Fixing, M6 x 45mm	4
15	Fixing, M6 x 16mm	2
16	Fixing, M8 x 70mm	2
17	Spacer boss, 23 x 24mm	2
18	Fixing, M8 x 30mm	2
19	Fixing, M8 x 25mm	4
20	Spacer boss, 20 x 8mm	4
21	Nut, M8	4
22	Nut, M10	2
23	Fixing, M10 x 22mm	2

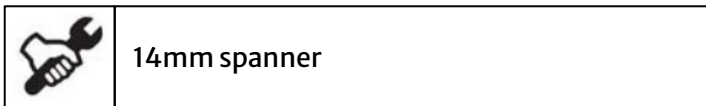
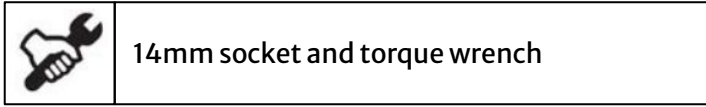
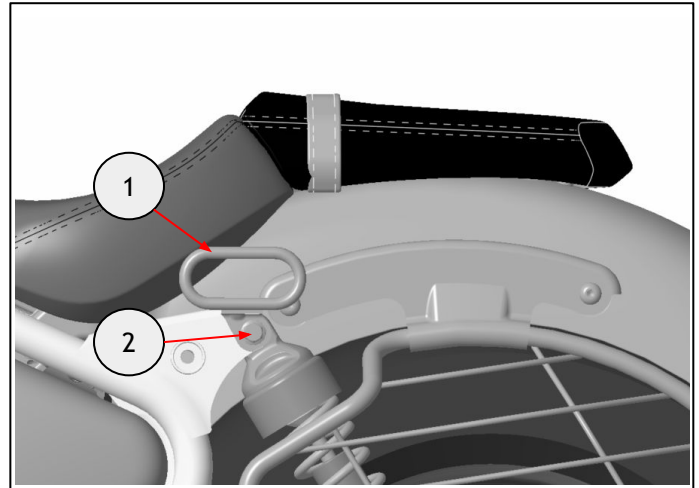


Item	Description	Qty
1	Long haul pannier waterproof inner bag	2

**1** Ensure the bike is secured on its center stand as described in the owner's manual.



**2** Remove the grab handle (1) by removing the fixings (2). Retain for reuse.  
Repeat step 2 on the right side.



**3** Fit the relocation (1) and anti-rotation (2) brackets to the rear suspension using the fixings (3) removed in step 2.

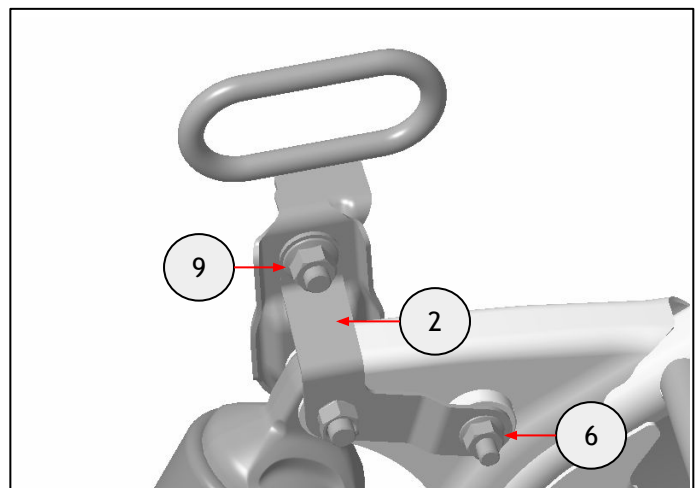
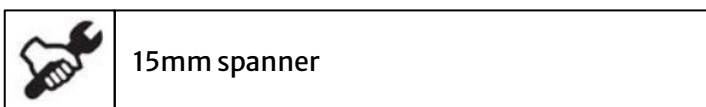
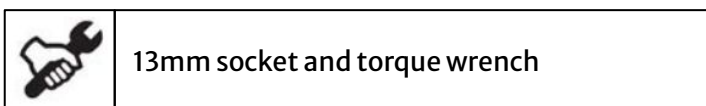
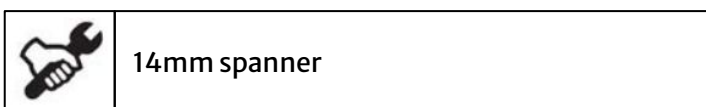
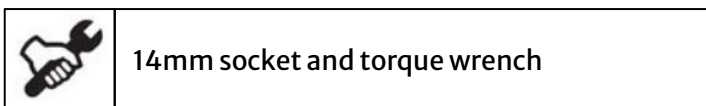
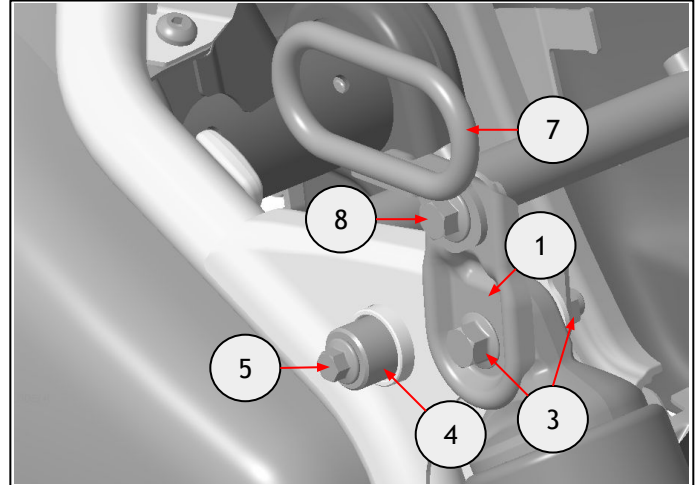
Loosely fit the 23 x 24mm spacer (4) from the kit using the M8 x 70mm fixing (5) and the M8 nut (6) from the kit.

Fit the grab handle (7) removed in step 2 using the M10 x 22mm fixing (8) and M10 nut (9).

Tighten the fixing (3) to **45 Nm**.  
Tighten the fixing (8) to **45 Nm**.

Remove the spacer (4), fixing (5) and nut (6), retain for reuse.

Repeat step 3 on the right side.



**4** Remove the saree guard (1) by removing the fixings (2, 3). Retain the saree guard and fixings for reuse if the motorcycle is to be returned to its original condition.



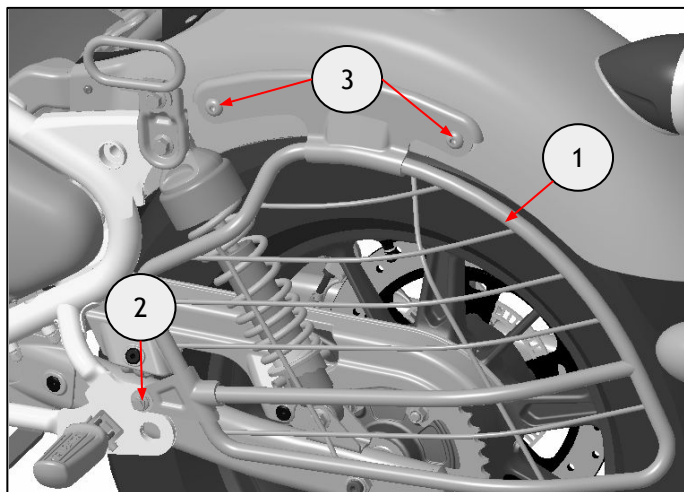
(3) 4mm hexagonal bit and ratchet



(2) 12mm socket and ratchet



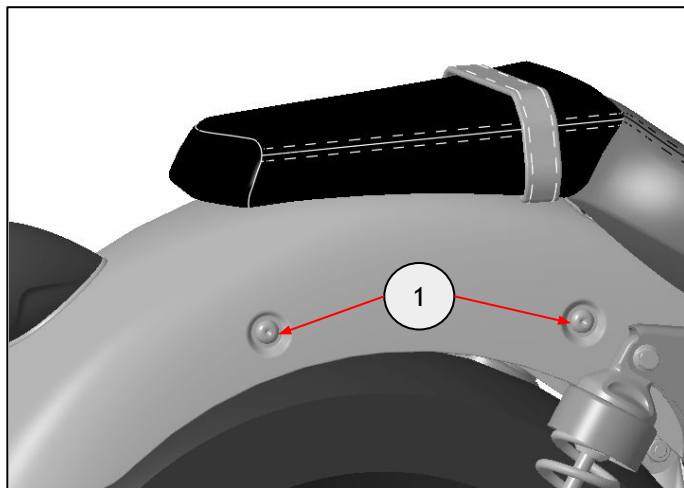
(2) 12mm spanner



**5** Remove the fixings (1) on the right side of the mudguard.



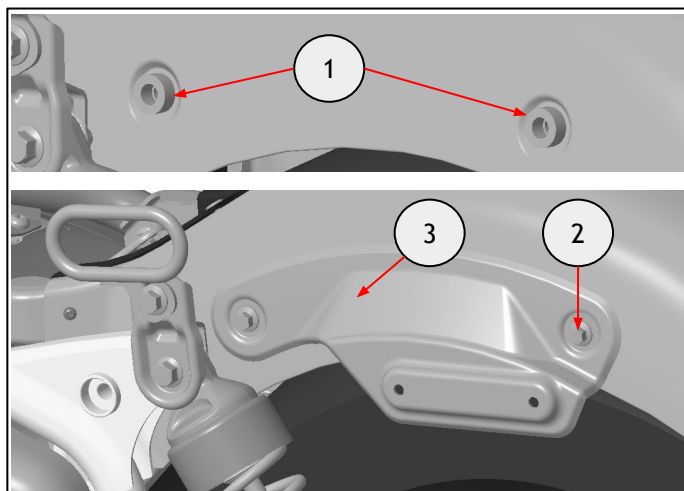
4mm hexagonal bit and ratchet



**6** Align the 20 x 8mm spacers (1) from the kit with the mounting holes. Fit the M8 x 25mm fixings (2) from the kit to secure the left hand bracket (3). Tighten the fixings to **30 Nm**. Repeat step 6 on the right side.



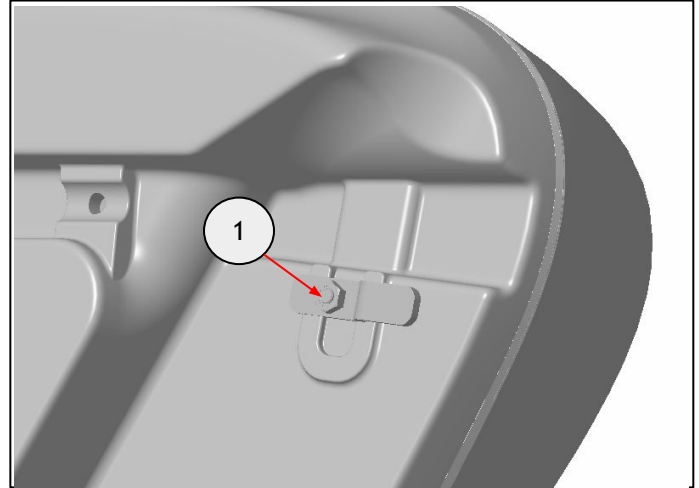
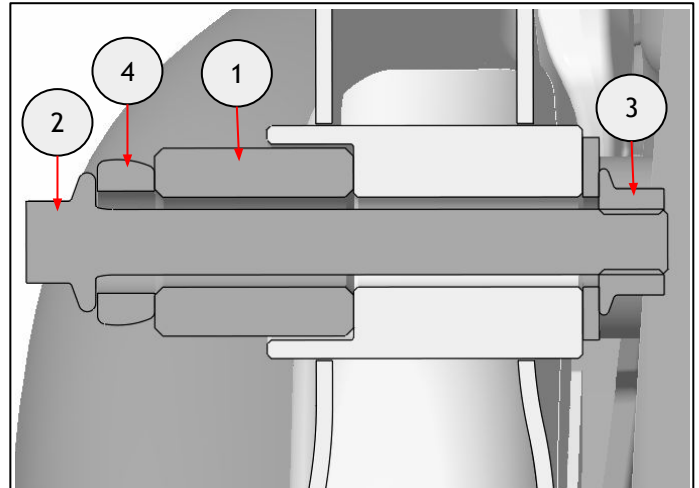
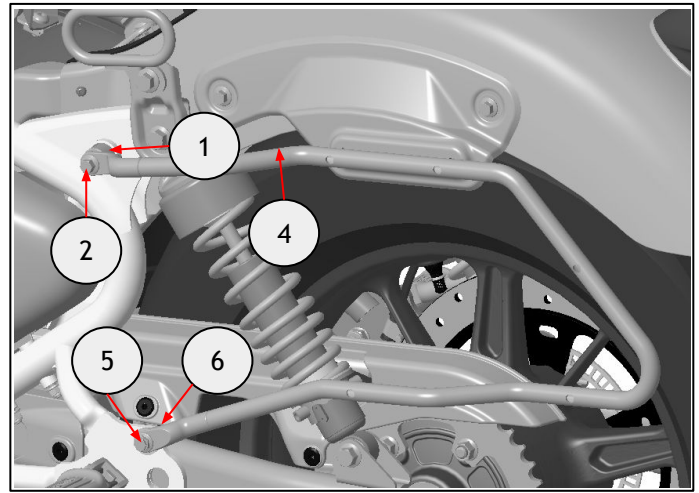
10mm socket and torque wrench



**7** Position the 23 x 24mm spacer (1) from the kit in the frame sleeve.  
Fit the M8 x 70mm fixing (2) from the kit with an M8 nut (3) from the kit to secure the upper mounting of the left hand pannier rail (4).

Fit the M8 x 30mm fixing (5) from the kit with an M8 nut (6) from the kit to secure the lower mounting of the left hand pannier rail (4).

Do not fully tighten at this stage.  
Repeat step 7 on the right side.



	10mm socket and ratchet
--	-------------------------

	13mm spanner
--	--------------

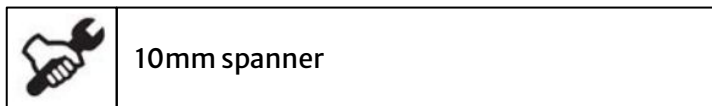
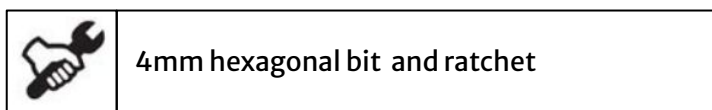
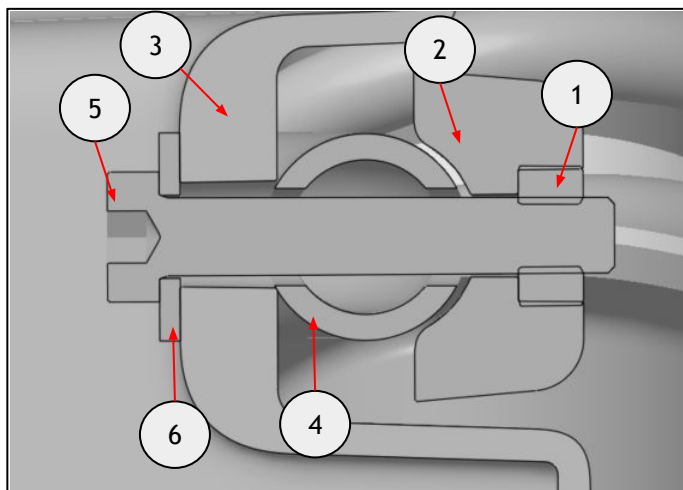
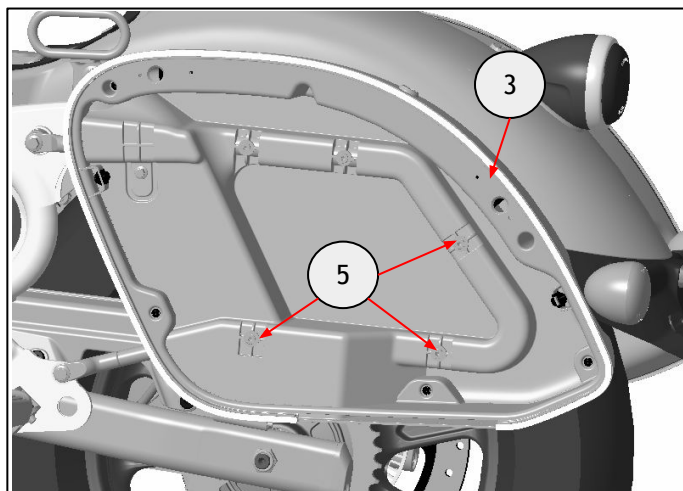
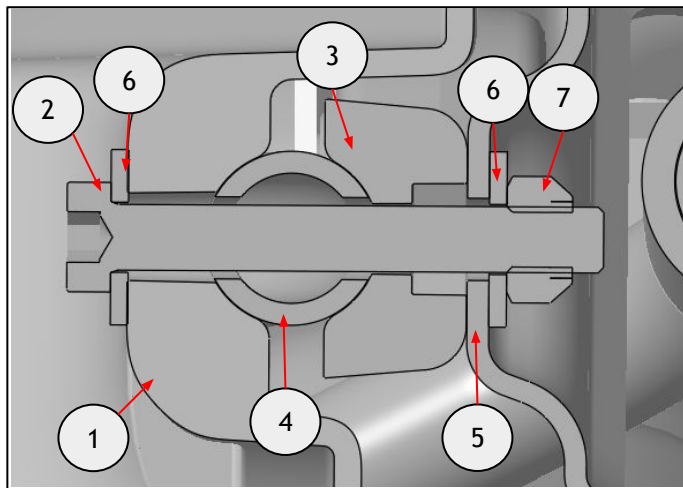
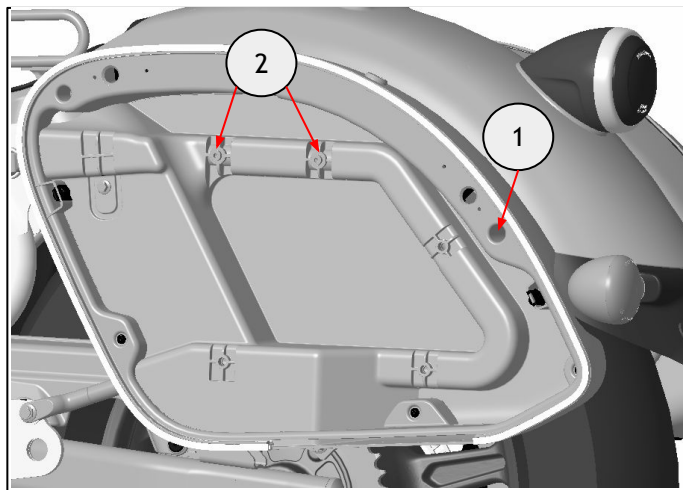
**8** Loosely assemble the pannier mount (1) at the back of the pannier as shown using an M6 x 16mm fixing from the kit.

Repeat step 8 on the right side.

	8mm socket and ratchet
--	------------------------

**9** Position the pannier (1) on the rail and fit two M6 x 45mm fixings (2) from the kit. Position two nylon pannier mounts (3) between the rail (4) and the bracket (5). Fit a washer (6) under the head of the bolts and the locknuts (7). Do not fully tighten at this stage. Repeat step 9 on the right side.

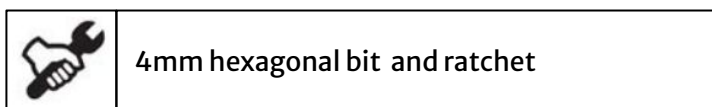
**Note:** Pannier lid removed for visual purpose only.



**10** Fit 3 M6 locknuts (1) into the recess of the 3 nylon pannier mounts (2). Secure the pannier (3) and pannier mounts on to the rails (4) using the M6 x 35mm fixings (5) with a washer (6) under the head of each bolt. Do not fully tighten at this stage.

Repeat step 10 on the right side.

**Note:** Pannier lid removed for visual purpose only.



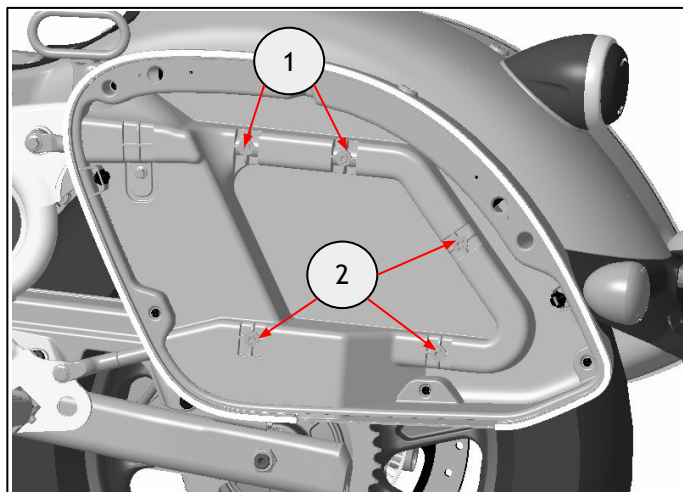
**11** Tighten the fixings (1) to **10 Nm**.  
Tighten the fixings (2) to **6 Nm**.  
Repeat step 11 on the right side.



4mm hexagonal bit and torque wrench



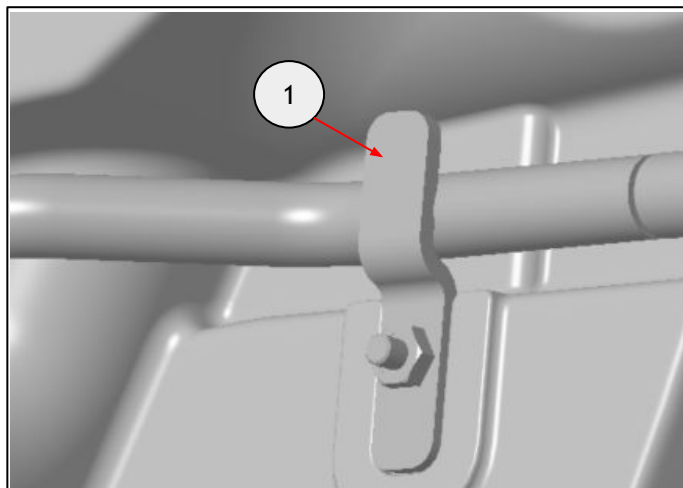
10mm spanner



**12** Rotate the pannier mount (1).  
Tighten to **10 Nm**.  
Repeat step 12 on the right side.



8mm socket and torque wrench



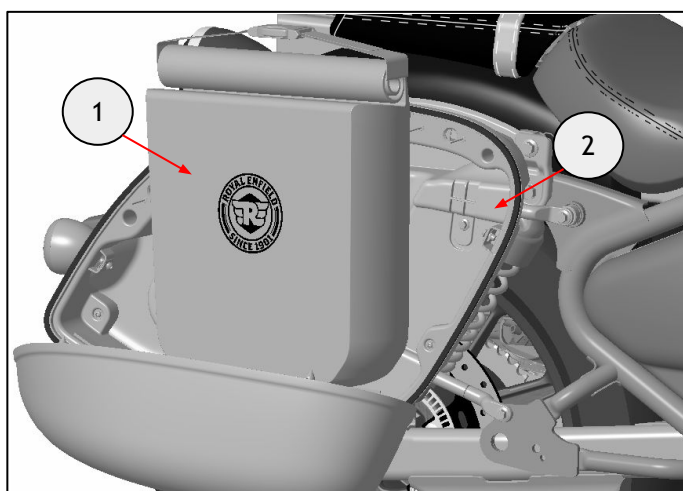
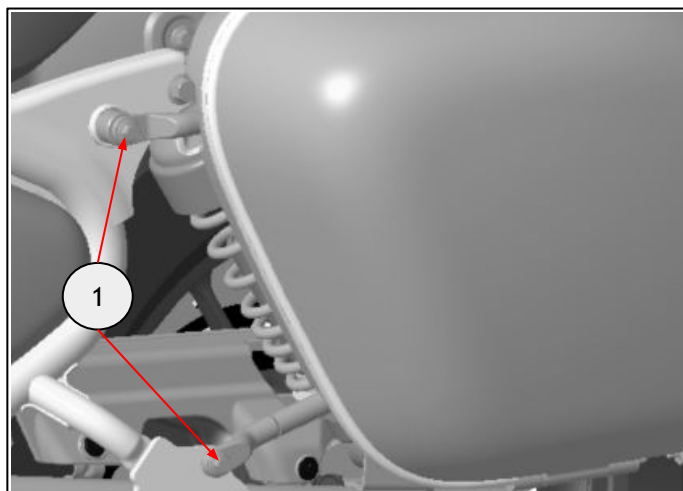
**13** Tighten the fixings (1) to **30 Nm**.  
Repeat step 12 on the right side.



10mm socket and torque wrench



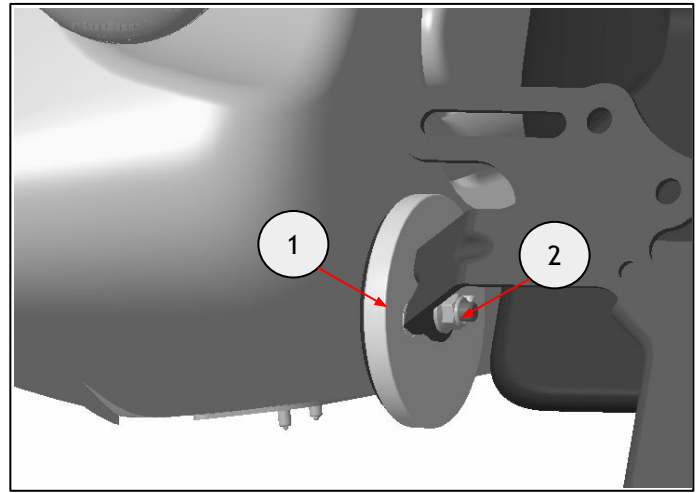
13mm spanner







8mm socket and ratchet



**WARNING:** After fitting any genuine Royal Enfield accessory always ride the motorcycle with caution and allow time to become familiar with any change in the motorcycle handling characteristics. Failure to become familiar with any change in the motorcycle handling characteristics may cause the motorcycle to become unstable and result in an accident.