

Part Number:

1990606

Models:

Bullet 350cc, Bullet 500cc

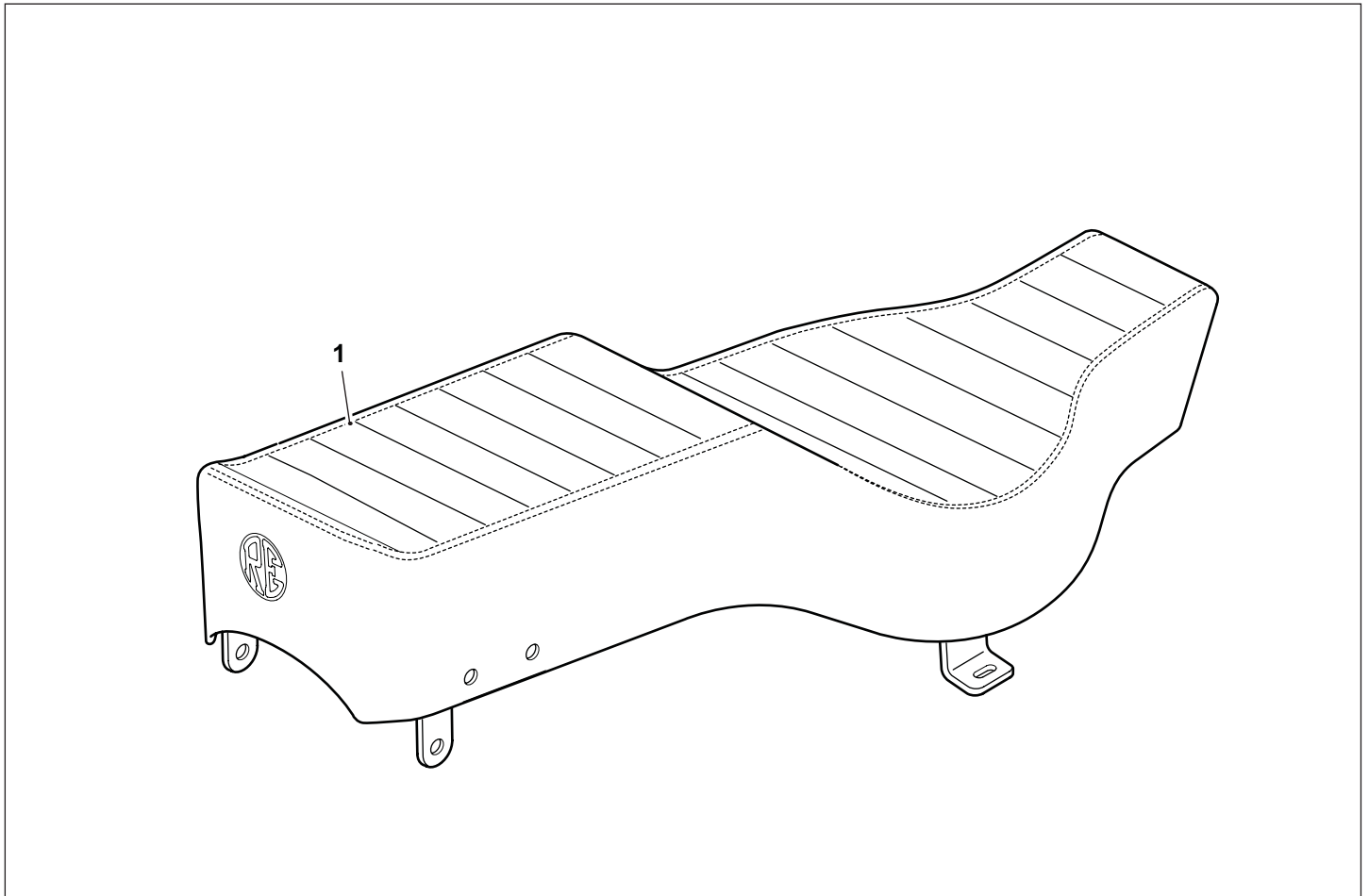
WARNING: Royal Enfield genuine accessories are designed to fit only the specific Royal Enfield motorcycle(s) that are specified above. They should not be fitted to any other type of motorcycle. Pay particular attention to the warnings and cautions contained in this instruction, failure to do so may result in an incorrect installation of the accessory which could result in an unsafe riding condition and possible accident. If in any doubt always seek the help from your authorised Royal Enfield dealer.

WARNING: Before starting any accessory kit installation ensure the motorcycle is supported in a stable condition. Failure to support the motorcycle correctly could lead to motorcycle damage or personal injury.

WARNING: All fixings must be tightened to the torque values specified in this instruction. Failure to tighten fixings to the correct torque could result in an unsafe riding condition and possible accident.

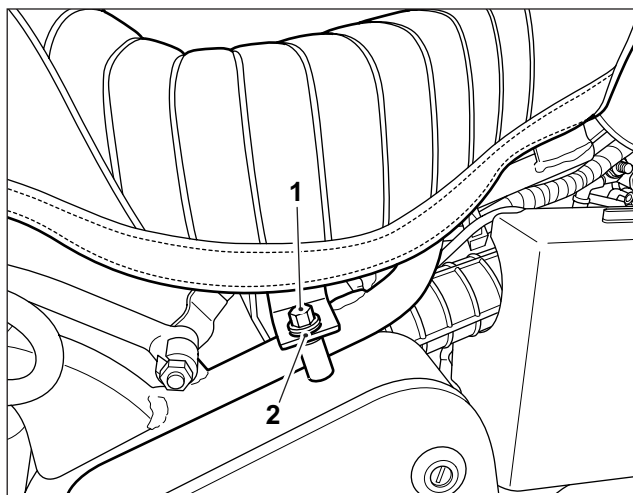
CAUTION: Care should be taken when fitting any accessory kit. Incorrect handling kit components or the use of incorrect tools could lead to component or motorcycle damage.

NOTE: The content of this instruction is subject to change at any time without notice or liability. Royal Enfield reserves the right to revise the information presented at any time.



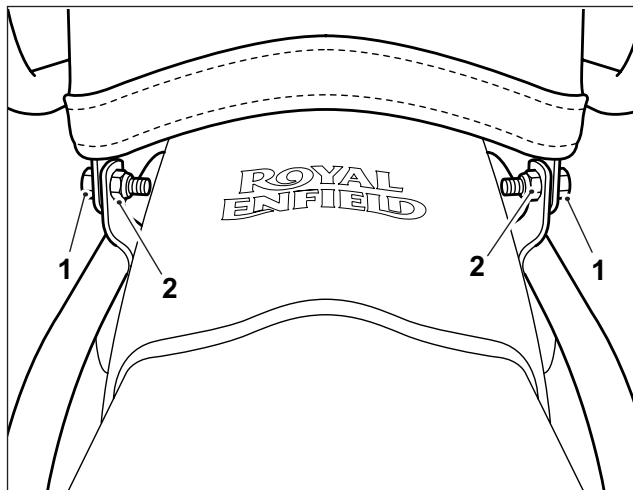
Item	Description	Qty
1	Comfort seat	1

1 Remove the seat front fixings (1) and washers (2) from the left hand and right hand side of the motorcycle, right hand side shown. Retain the fixings (1) and washers (2) for reuse.



2 Remove the seat rear fixings (1) and nuts (2) from the left hand and right hand side of the motorcycle. Remove the seat.

Retain the fixings (1) and nuts (2) for reuse.



NOTE: The design and method of fitment of the grab rail is different for Bullet 350cc and Bullet 500cc models. Follow the appropriate step detailed below.

Bullet 350cc Models Only

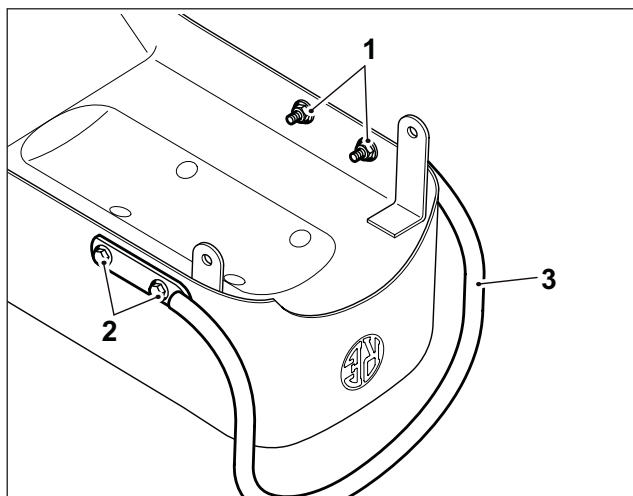
3 Place the seat, cushion side down, on a clean flat work surface. Remove the nuts (1), fixings (2) and carefully remove the grab rail (3) from the seat. Retain the nuts (1), fixings (2) and grab rail (3) for reuse.

Retain the original seat for reuse if the accessory touring seat is removed.

Place the accessory touring seat, cushion side down, on a clean flat work surface. Position the original grab rail (3) on the seat in the orientation shown and align the grab rail with the fixing positions on the seat.

Fit the original fixings (2) and nuts (1).

Tighten the fixings to **10 Nm**.



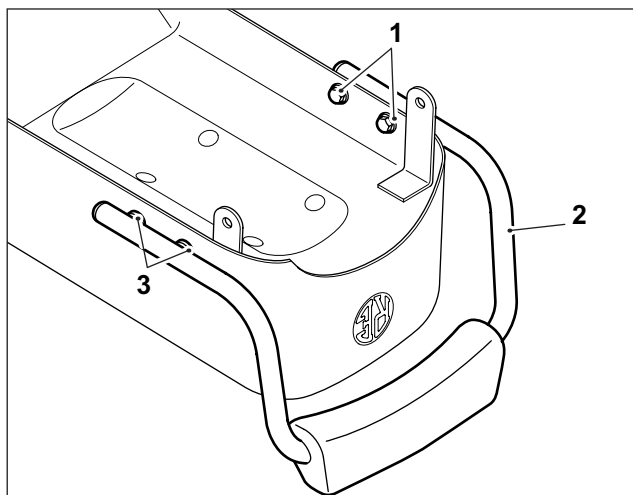
Bullet 500cc Models Only

4 Place the seat, cushion side down, on a clean flat work surface. Remove the fixings (1) and carefully remove the grab rail (2) from the seat. Retain the fixings (1) and grab rail (2) for reuse. Retain the original seat for reuse if the accessory touring seat is removed.

Place the accessory touring seat, cushion side down, on a clean flat work surface. Position the original grab rail (2) on the seat in the orientation shown and align the grab rail mountings (3) with the fixing positions on the seat.

Fit the original fixings (1).

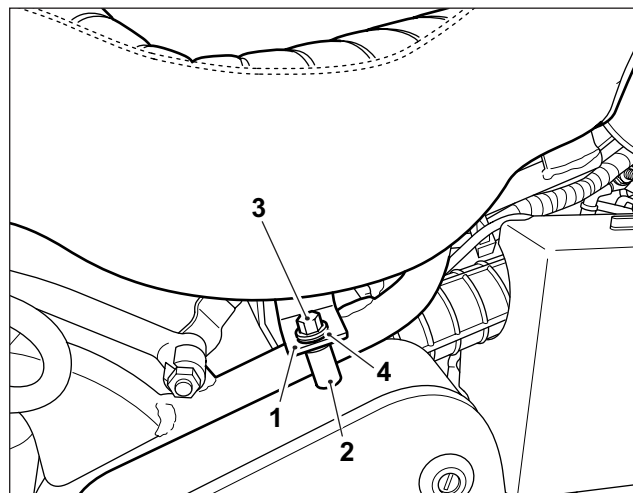
Tighten the fixings to **10 Nm**.



All Models

5 Carefully position the accessory touring seat on the motorcycle and align the seat front mounting brackets (1) with the original seat mounting positions (2) on the left hand and right hand side of the motorcycle frame, right hand side shown.

Fit the original fixing (3) and washers (4), do not fully tighten the fixings at this stage.

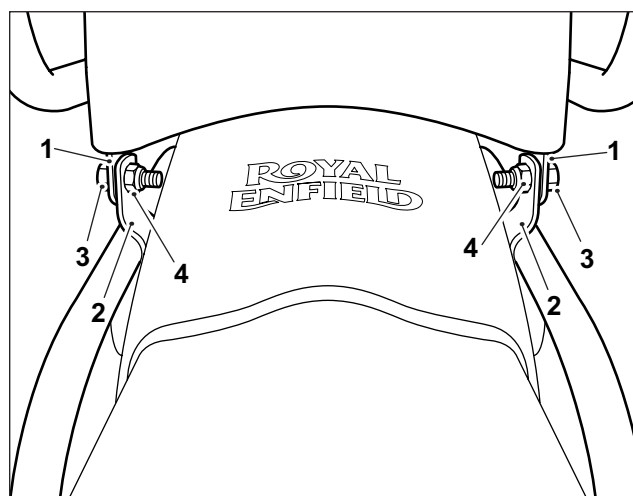


6 Align the seat rear mounting brackets (1) with the original seat mounting positions (2) on the left hand and right hand side of the motorcycle frame.

Fit the original fixing (3) and lock nuts (4)

Tighten the nuts (4) to **25 Nm**.

7 Tighten the seat front fixings to **25 Nm**.



WARNING: Check the new seat is securely attached to the motorcycle. If the seat is not correctly secured to the motorcycle it may allow movement or possible detachment of the seat while riding. A loose or detached seat may cause the motorcycle to become unstable and result in an accident.

WARNING: After fitting any genuine Royal Enfield accessory always ride the motorcycle with caution and allow time to become familiar with any change in the motorcycle handling characteristics. Failure to become familiar with any change in the motorcycle handling characteristics may cause the motorcycle to become unstable and result in an accident.