




Part Number:
KXA00126

Models:
BSVI Hunter
With Vin No ME3J3D5FEN1

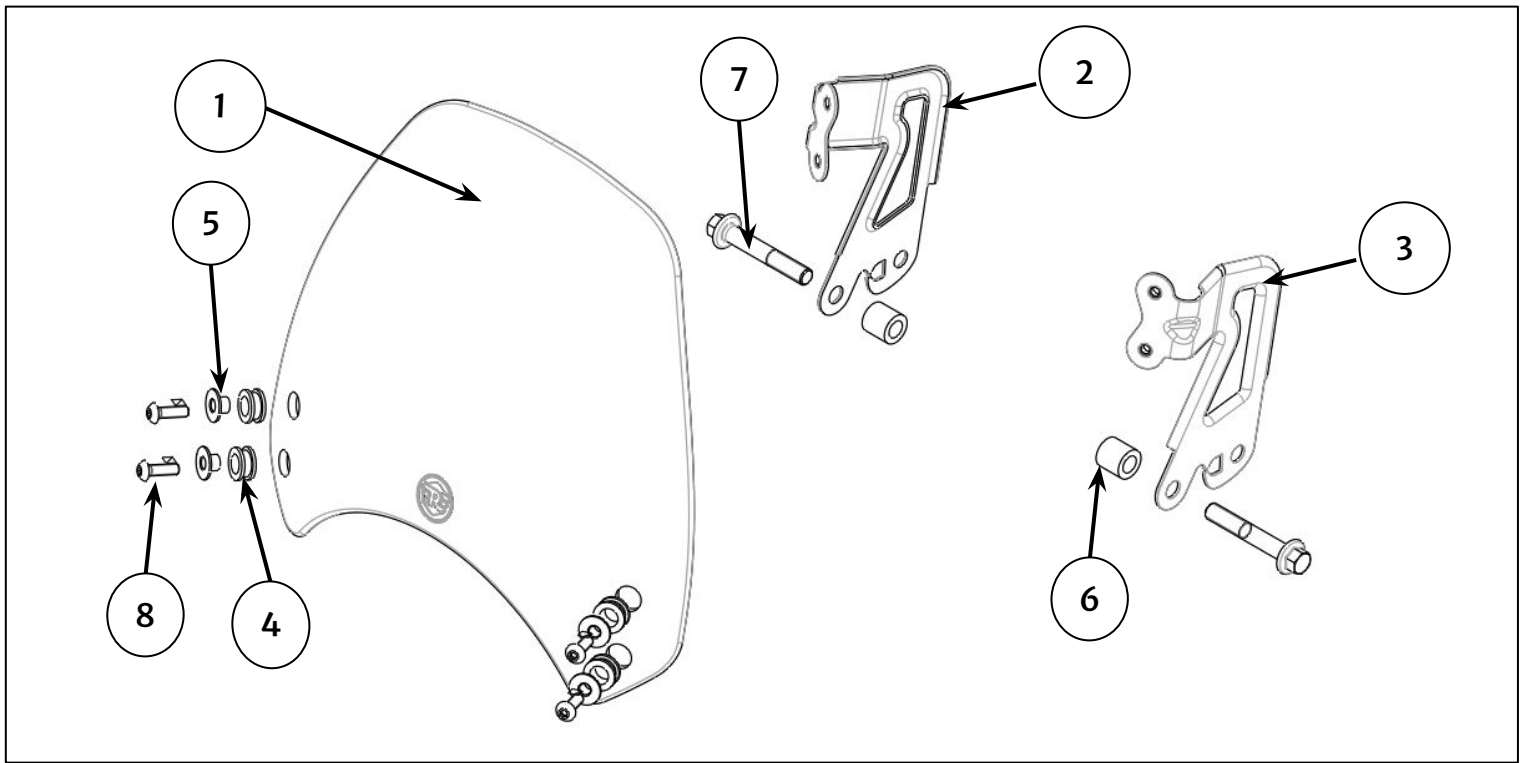
 **WARNING:** Royal Enfield genuine accessories are designed to fit only the specific Royal Enfield motorcycle(s) that are specified above. They should not be fitted to any other type of motorcycle. Pay particular attention to the warnings and cautions contained in this instruction, failure to do so may result in an incorrect installation of the accessory which could result in an unsafe riding condition and possible accident. If in any doubt always seek help from your authorised Royal Enfield dealer.

 **WARNING:** Before starting any accessory kit installation ensure the motorcycle is supported in a stable condition. Failure to support the motorcycle correctly could lead to motorcycle damage or personal injury.

 **WARNING:** All fixings must be tightened to the torque values specified in this instruction. Failure to tighten fixings to the correct torque could result in an unsafe riding condition and possible accident

 **CAUTION:** Care should be taken when fitting any accessory kit. Incorrect handling of kit components or the use of incorrect tools could lead to component or motorcycle damage.

NOTE: The content of this instruction is subject to change at any time without notice or liability. Royal Enfield reserves the right to revise the information presented at any time.



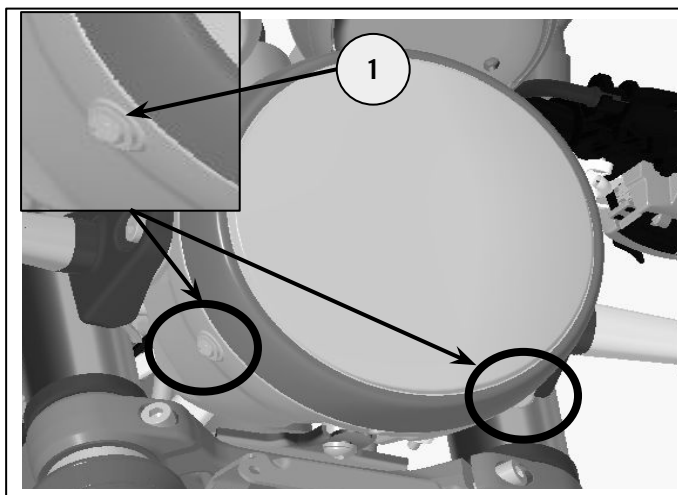
Item	Description	Qty
1	Tinted Flyscreen	1
2	Flyscreen Bracket, LH	1
3	Flyscreen Bracket, RH	1
4	Grommet	4
5	Flanged Insert	4
6	Spacer	2
7	Fixing, M8 x 45mm	2
8	Fixing, M5 x 16mm	4

Note: Before starting fitment ensure ignition is OFF. Remove right side cover and disconnect Negative terminal from the battery, as described in the Owner's Manual.

1 Carefully remove the headlamp from headlamp assembly by removing the fixings (1) on both left and right side of headlamp assembly. Retain the fixings for reuse. Disconnect headlamp connector from vehicle connector.



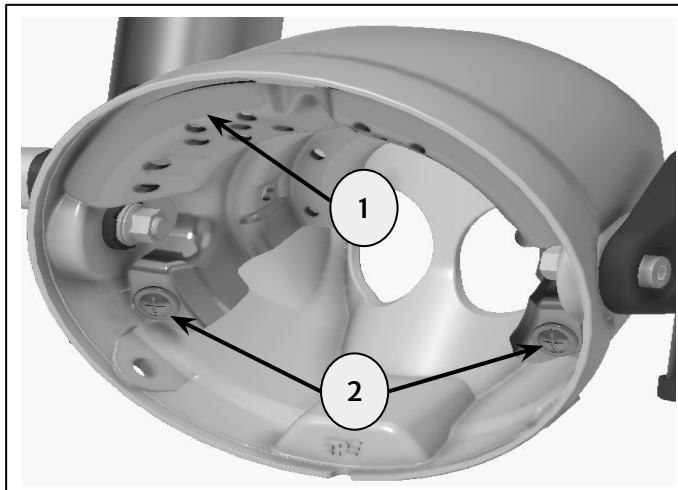
Phillips Screwdriver / PH1 phillips bit and ratchet.



2 Remove the cover (1) by loosening the fixings (2) inside the headlamp assembly. Disconnect right and left hand side Indicator connectors inside the headlamp assembly. Retain the cover and fixings for reuse.



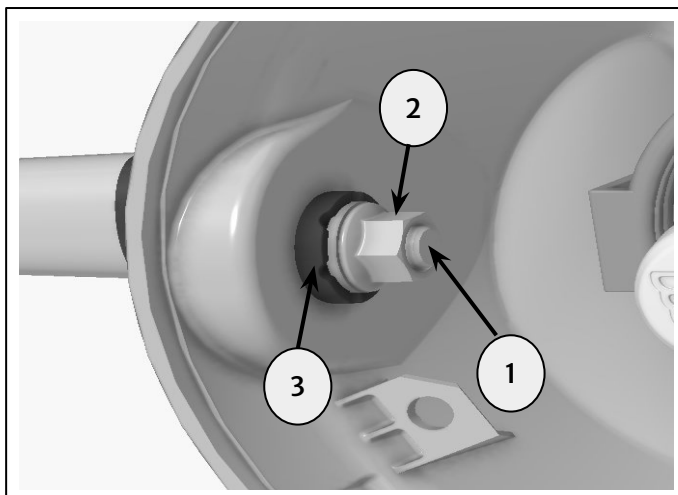
Phillips Screwdriver



3 Remove the fixing (1), nut (2) and washer (3) from right hand side of the headlamp mounting bracket, (hold the nut from inside the headlamp assembly). Retain the fixings and nut for reuse, repeat step for left hand side indicator.



6mm Hexagonal bit and ratchet.
12mm spanner.

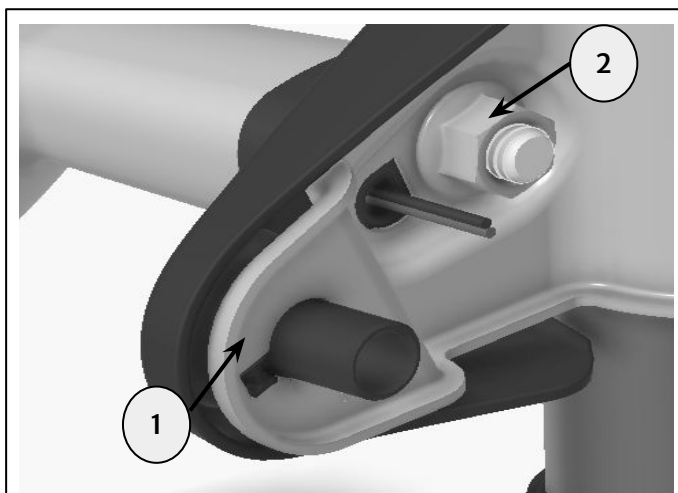


4 Rotate right hand bracket (1) outwards, remove indicator from mounting bracket by loosening the nut (2). Repeat the step for left hand side. Retain the nuts for reuse.

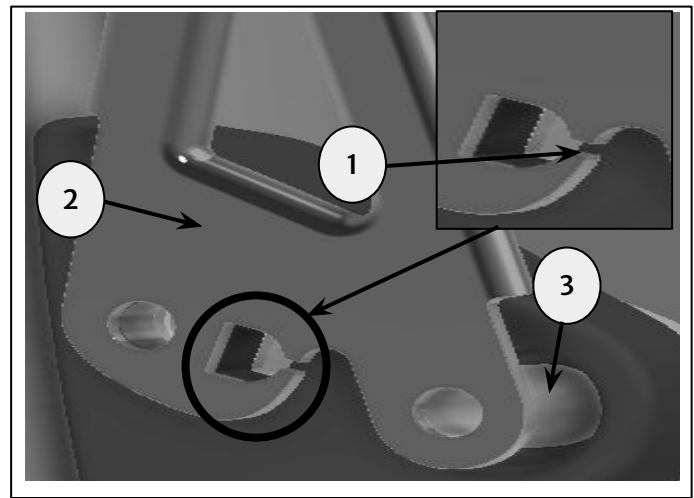
Note : If fitting GMA LED Indicators (KXA00095/96), please also refer to instruction KXL00100.



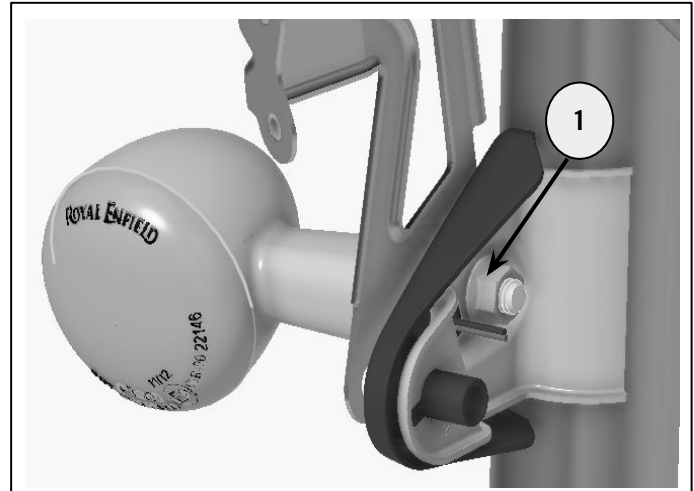
12mm socket and ratchet.



5 Insert Indicator cable with red colour connector (1) to pass through the D-shape profile of right side flyscreen bracket (2). As shown, place spacer (3) between the flyscreen bracket and headlamp mounting bracket.

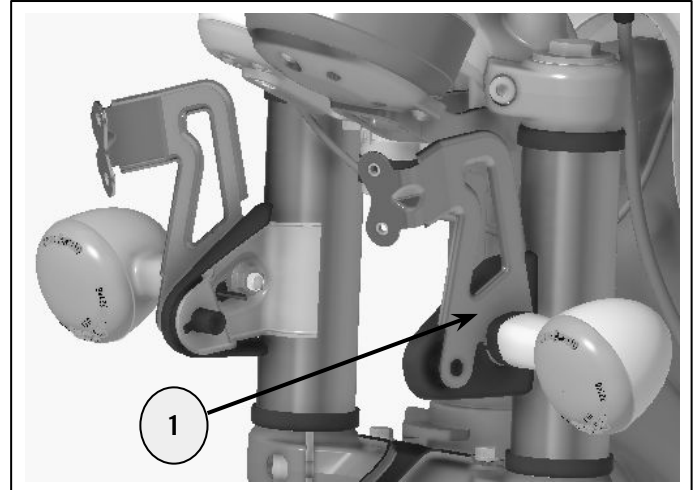


6 Secure Indicator, reuse the nut (1) from step 4. Tighten to **6Nm**. Use 24mm spanner to hold the indicator and isolator, to avoid indicator rotating while tightening nut (1).



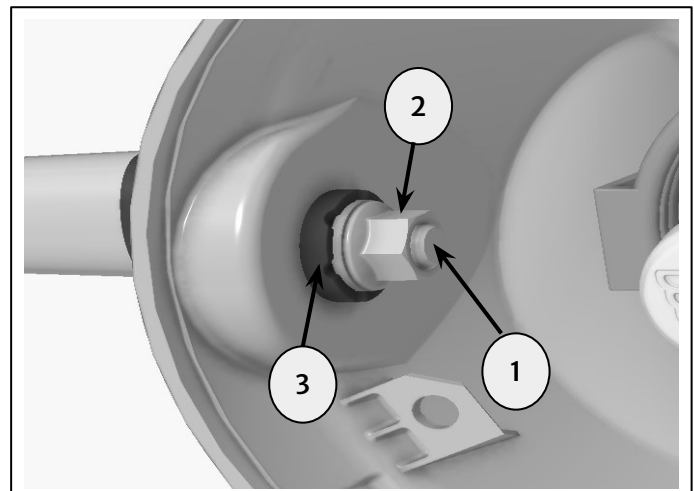
	12mm socket and torque wrench. 24mm spanner.
--	---

7 Repeat step 5 to 6 for the Left hand side using Indicator cable with green colour connector and left hand side flyscreen bracket (1).



	12mm socket and torque wrench. 24mm spanner.
--	---

8 Refit headlamp assembly with bracket, tighten to **10Nm** using M8 x 45 fixings (1) from the kit , nuts (2) and washers (3) retained in step 3 (hold the nut (2) from inside of the headlamp assembly) . Do the process on both right and left hand side.

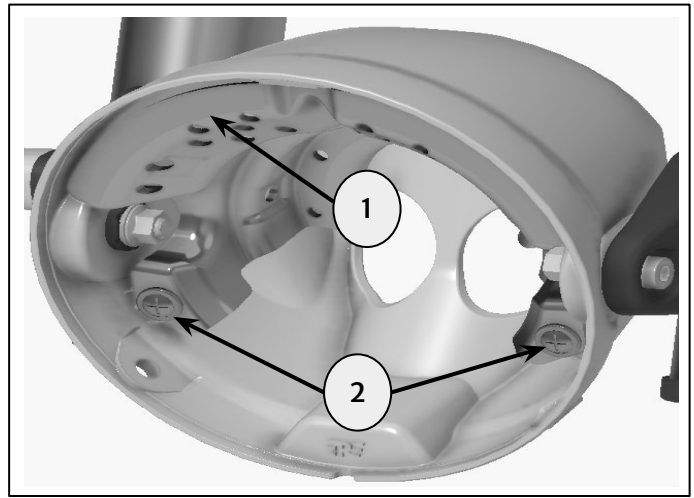


	10mm socket and torque wrench. 12mm spanner.
--	---

9 Insert indicator connectors to vehicle connectors (red to red and green to green) inside the headlamp assembly. Refit the cover (1) inside the headlamp assembly, using fixings (2) retained in step 2.



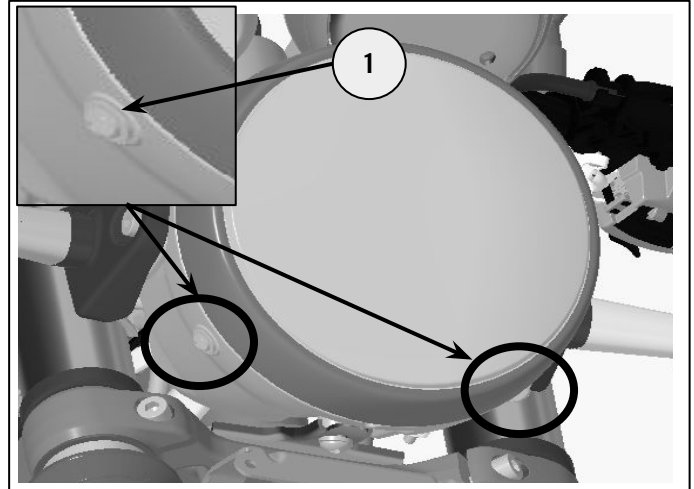
Phillips Screwdriver



10 Refit the headlamp (1) to headlamp assembly using fixings (2) retained in step 2, tighten to **5Nm**.



PH1 Phillips bit and torque wrench

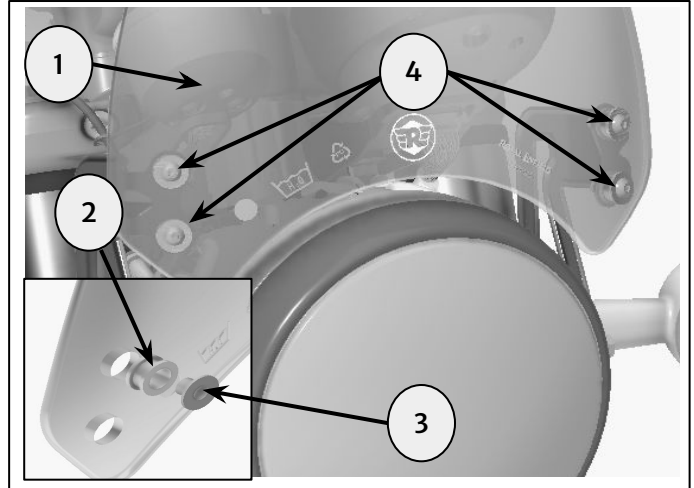


11 Insert Grommets (2) followed by Flanged Inserts (3) to the Flyscreen (1). As shown, ensure flange facing outwards.

Align the Flyscreen (1) with the bracket mount holes and tighten it to **5Nm** using fixings (4).



3mm hexagonal bit and torque wrench



12 Reconnect the Negative terminal to battery and reassemble the right side cover, as described in the Owner's Manual.



WARNING: After fitting any genuine Royal Enfield accessory always ride the motorcycle with caution and allow time to become familiar with any change in the motorcycle handling characteristics. Failure to become familiar with any change in the motorcycle handling characteristics may cause the motorcycle to become unstable and result in an accident.