

Part Number:

1990446

Models:

Interceptor (2018 onwards)

INT 650

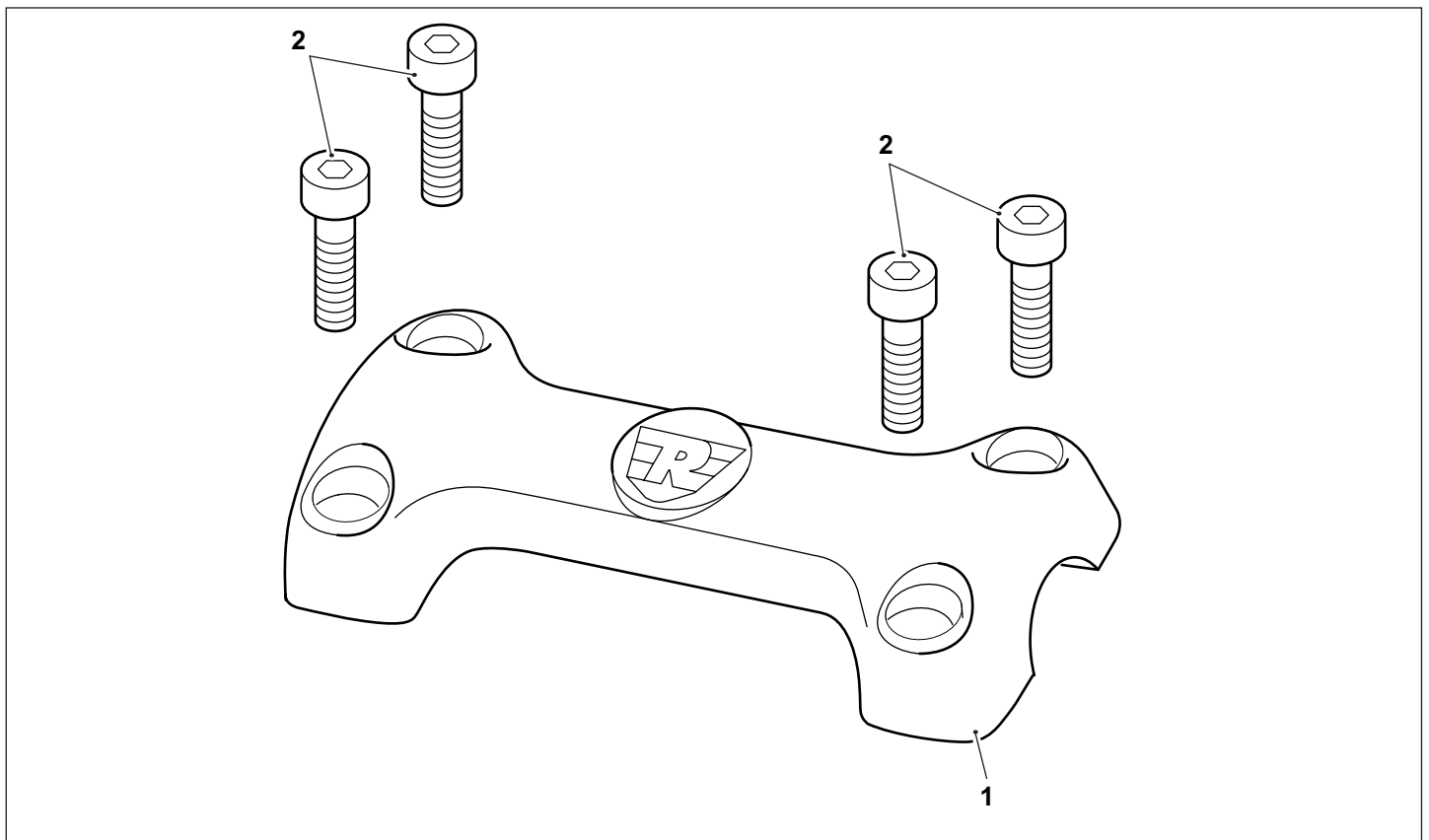
WARNING: Royal Enfield genuine accessories are designed to fit only the specific Royal Enfield motorcycle(s) that are specified above. They should not be fitted to any other type of motorcycle. Pay particular attention to the warnings and cautions contained in this instruction, failure to do so may result in an incorrect installation of the accessory which could result in an unsafe riding condition and possible accident. If in any doubt always seek the help from your authorised Royal Enfield dealer.

WARNING: Before starting any accessory kit installation ensure the motorcycle is supported in a stable condition. Failure to support the motorcycle correctly could lead to motorcycle damage or personal injury.

WARNING: All fixings must be tightened to the torque values specified in this instruction. Failure to tighten fixings to the correct torque could result in an unsafe riding condition and possible accident.

CAUTION: Care should be taken when fitting any accessory kit. Incorrect handling kit components or the use of incorrect tools could lead to component or motorcycle damage.

NOTE: The content of this instruction is subject to change at any time without notice or liability. Royal Enfield reserves the right to revise the information presented at any time.

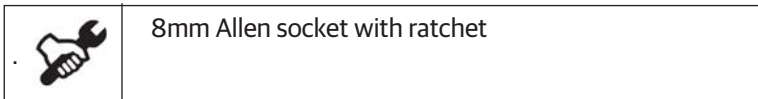
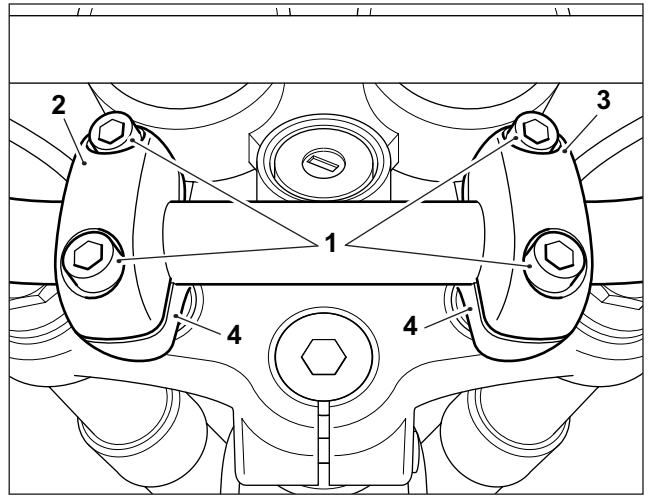


Item	Description	Qty
1	Handlebar clamp	1
2	Fixing	4

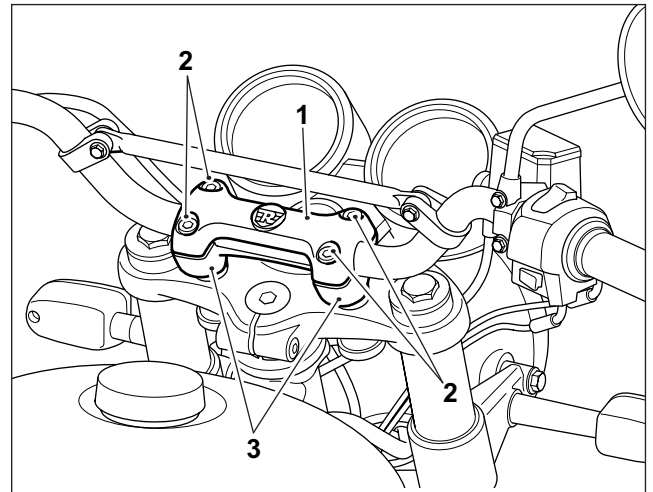
CAUTION: Always ensure the handlebars are supported when loosening, or removing handlebar clamp fixings. If the handlebars are not supported when loosening, or removing handlebar clamp fixings the handlebars could fall on to the fuel tank causing damage to the surface finish.

1 While supporting the handlebars, remove the fixings (1) from the left hand side handlebar clamp (2) and right hand side handlebar clamp (3).
Remove the handle clamps (2 & 3) and carefully rotate the handlebars forwards on the handlebar risers (4) to rest on the instrument panel.

Retain the original handlebar clamps for reuse if the accessory handlebar clamp is removed. Discard the fixings.

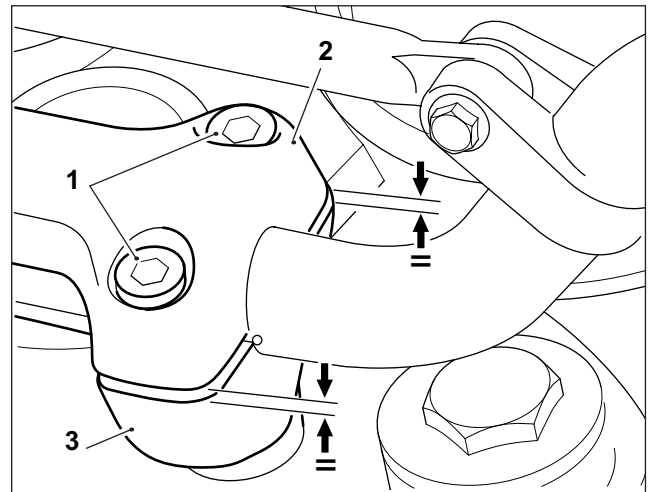


2 Fit the handlebar clamp (1) from the kit over the handlebars on to the risers (2) in the orientation shown.
Loosely fit the fixings (3) from the kit.




3 Tighten the handlebar clamp fixings (1) alternately to maintain an even space between the handlebar clamp (2) and risers (3) at the front and rear fixing positions, as shown.

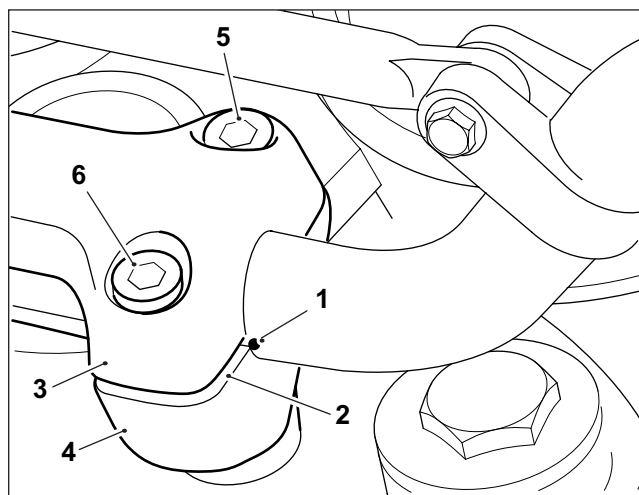
Do not fully tighten the fixings at this stage.



4 Reposition the handlebars ensuring the alignment mark (1) on the right hand side of the handlebar centre section is aligned with the rear split line (2) of the handlebar clamp (3) and right hand riser (4), as shown.

First tighten the front handlebar clamp fixings (5) to **25 Nm**, then tighten the rear handlebar clamp fixings (6) to **25 Nm**.

	8mm Allen socket with torque wrench
---	-------------------------------------



⚠ WARNING: After fitting any genuine Royal Enfield accessory always ride the motorcycle with caution and allow time to become familiar with any change in the motorcycle handling characteristics. Failure to become familiar with any change in the motorcycle handling characteristics may cause the motorcycle to become unstable and result in an accident.