

**Part Number:**  
KXA00141, KXA00158

**Models:**  
BSVI Hunter  
With VIN starting ME3J3D5FEN1

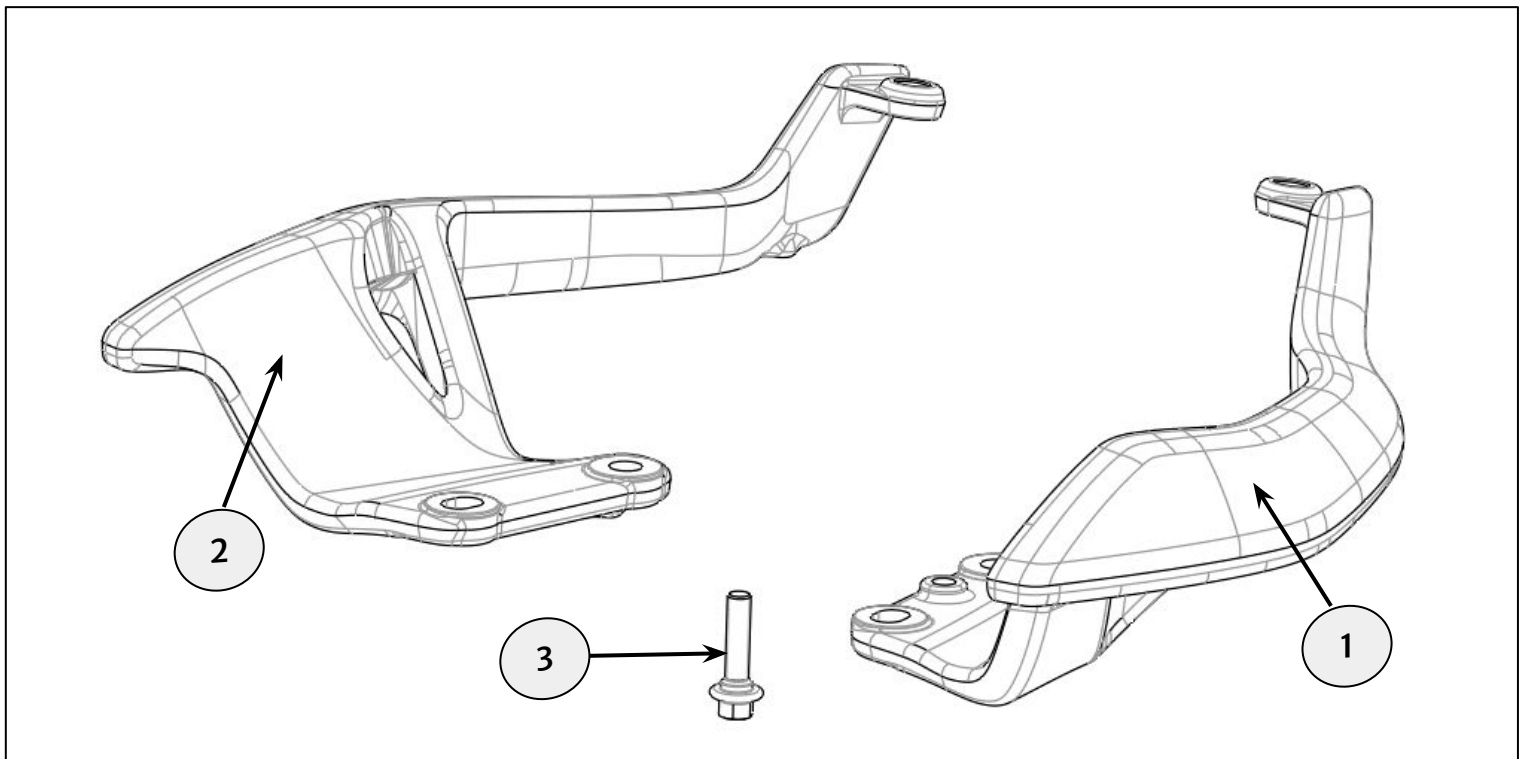
**WARNING:** Royal Enfield genuine accessories are designed to fit only the specific Royal Enfield motorcycle(s) that are specified above. They should not be fitted to any other type of motorcycle. Pay particular attention to the warnings and cautions contained in this instruction, failure to do so may result in an incorrect installation of the accessory which could result in an unsafe riding condition and possible accident. If in any doubt always seek help from your authorised Royal Enfield dealer.

**WARNING:** Before starting any accessory kit installation ensure the motorcycle is supported in a stable condition. Failure to support the motorcycle correctly could lead to motorcycle damage or personal injury.

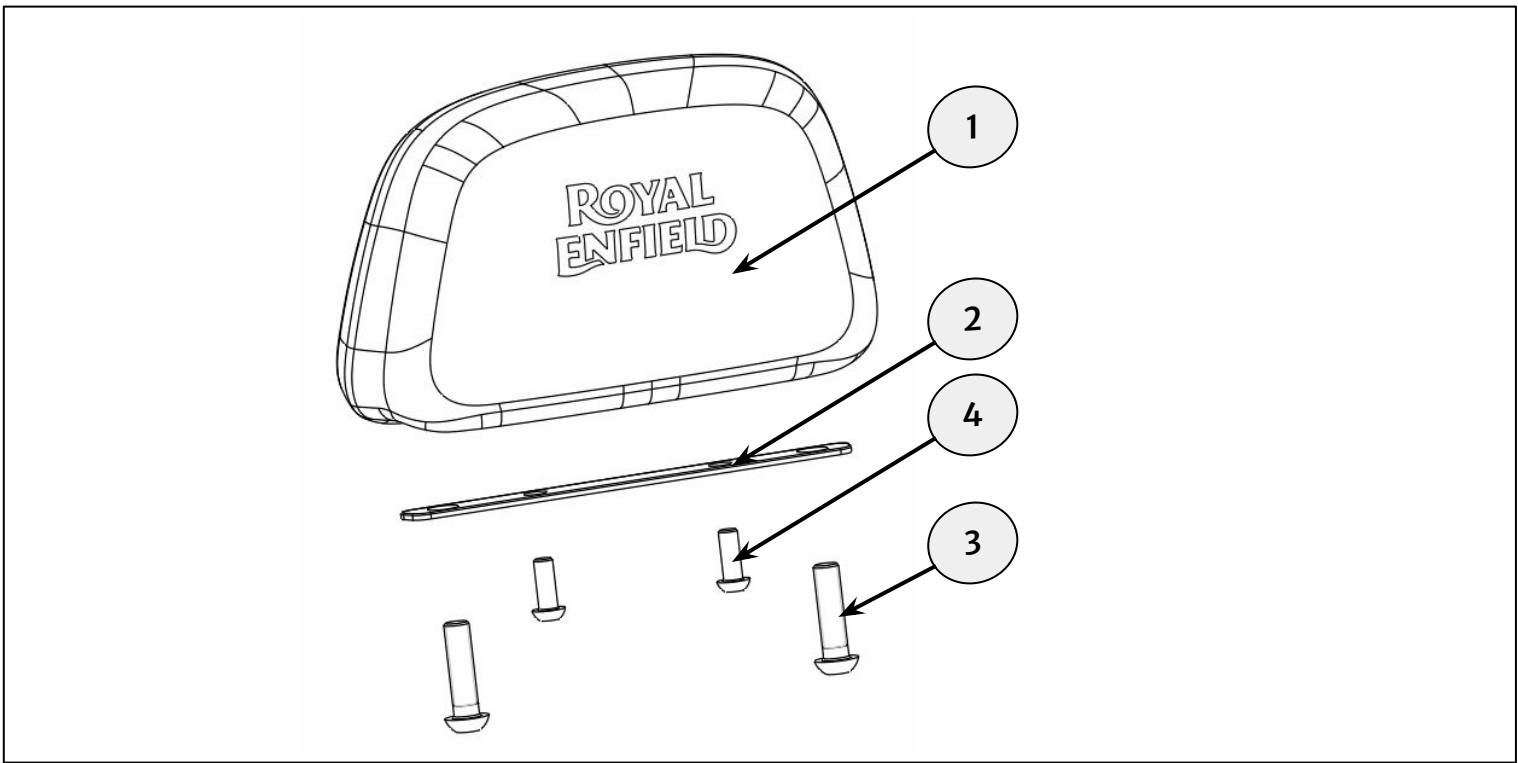
**WARNING:** All fixings must be tightened to the torque values specified in this instruction. Failure to tighten fixings to the correct torque could result in an unsafe riding condition and possible accident.

**CAUTION:** Care should be taken when fitting any accessory kit. Incorrect handling of kit components or the use of incorrect tools could lead to component or motorcycle damage.

**NOTE:** The content of this instruction is subject to change at any time without notice or liability. Royal Enfield reserves the right to revise the information presented at any time.



Item	Description	Qty
1	Grab rail Left hand	1
2	Grab rail Right hand	1
3	Fixing , M6	1



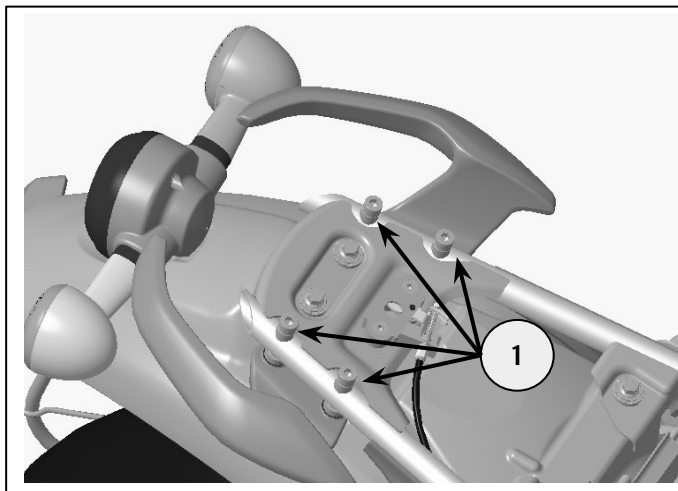
Item	Description	Qty
1	Passenger Backrest Pad	1
2	Backrest plate	1
3	Fixings, M8 X 30	2
4	Fixings, M6 x 16	2

## Installing the Grab rail

**1** Open Right side cover and pull the seat lock cable to unlock the latch to remove seat from vehicle as described in the Owner's Manual. Remove fixings (1) and retain for reuse.



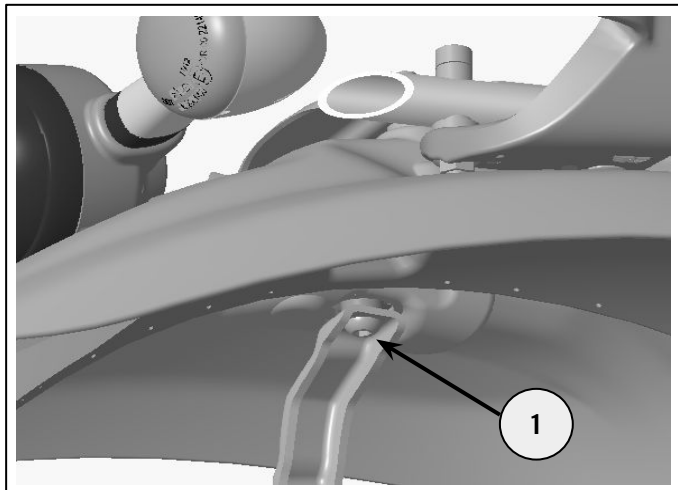
6mm hexagonal bit and ratchet.



**2** Remove Saree guard mounting fixing (1) from the Left hand side of motorcycle and discard. Remove the existing grab rail.



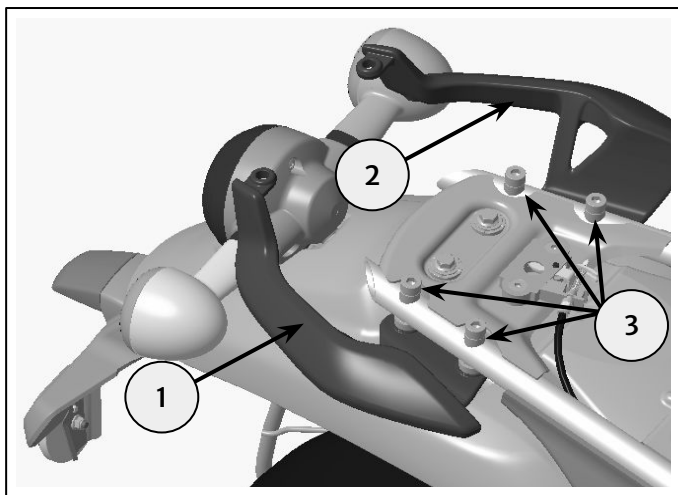
10mm socket and ratchet.



**3** Use Grab rail Left hand (2) and Grab rail Right hand (1) from kit, assemble it by reusing the fixings (3) retained from step 1. Tighten to **25 Nm**.



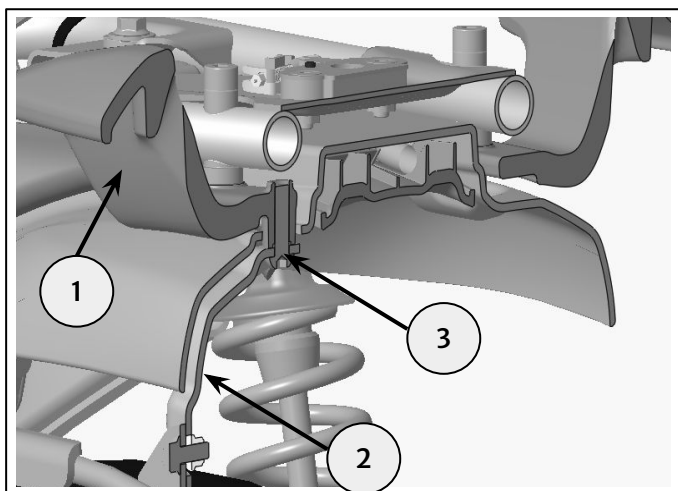
6mm hexagonal bit and torque wrench.



**4** Use fixing (3) from the kit to mount Saree guard mounting bracket(2) with grab rail right hand (1) as shown. Tighten to **10Nm**. Assemble back the seat removed in step 1.



10mm socket and torque wrench.



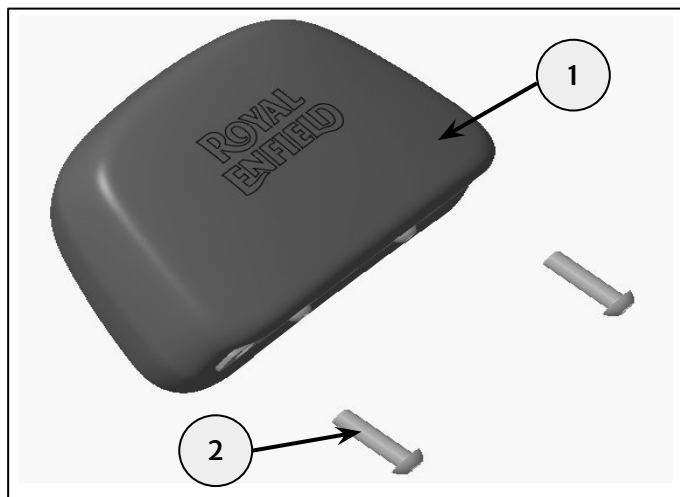
**Note :** This step applicable only for India.

## Installing the Passenger Backrest

**5** From the kit use Backrest assembly and unscrew the fixings (2) and backrest pad (1) as shown. Retain for reuse.



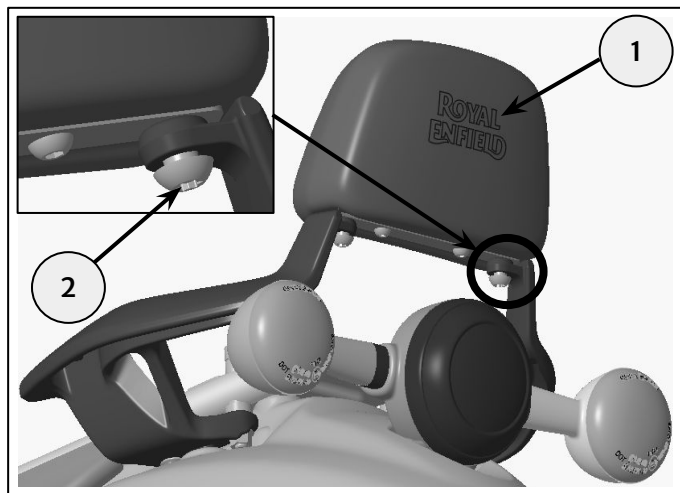
6mm hexagonal bit and ratchet.



**6** Use the passenger backrest pad retained from step 5, place it over the grab rails, use fixings (2) retained from step 5 to mount as shown. Tighten to **25 Nm**.



6mm hexagonal bit and torque wrench



**WARNING:** After fitting any genuine Royal Enfield accessory always ride the motorcycle with caution and allow time to become familiar with any change in the motorcycle handling characteristics. Failure to become familiar with any change in the motorcycle handling characteristics may cause the motorcycle to become unstable and result in an accident.